

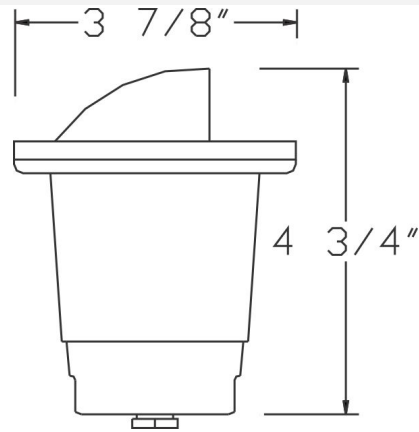


**Catalog#: 5013**  
**LV MR16 IN-GROUND PATH LIGHT**

**Category** Landscape Lighting  
**Page** [116](#)

**Specifications:**

**Material** Cast Aluminum  
**Voltage** 12 Volts  
**Lamp type:** JC Bi-Pin 3W 3000K (WW) LED Bulb Included (35W Max.)  
**Lens type** Tempered Glass Lens  
**Socket** Premium grade Porcelain socket with Nickel contacts and Teflon-jacketed wire leads  
**Gasket** Sealed with high grade weatherproof Silicone Gasket  
**Wiring** Pre-wired with 24" SJT Cord  
**Accessories** Optional Adjustable Direction Lamp Bracket  
**Document** [Installation Instructions](#)  
**Certifications**



Cat. No.	Finish	UPC
5013-BK	Black	615624264983
5013-BR	Bronze	615624267960
5013-WH	White	615624269841

