



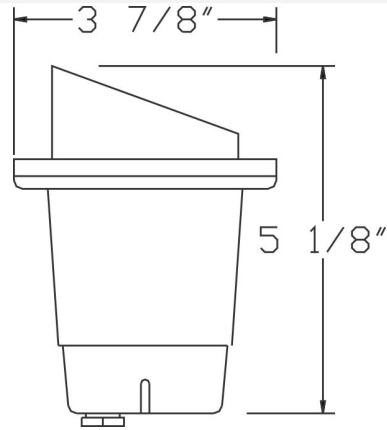


**Catalog#: 5011**  
**MR16 SPOT/WELL HOODED FIXTURE**

**Category** Landscape Lighting  
**Page** [116](#)

**Specifications:**

- Material Cast Aluminum
- Voltage 12 Volts
- Lamp type: MR16 5W 3000K (WW) LED Bulb Included (35W Max.)
- Lens type Tempered Glass Lens
- Socket Premium grade Porcelain socket with Nickel contacts and Teflon-jacketed wire leads
- Gasket Sealed with high grade weatherproof Silicone Gasket
- Wiring Pre-wired with 24" SJT Cord
- Accessories Optional Adjustable Direction Lamp Bracket
- Document [Installation Instructions](#)
- Certifications  



Cat. No.	Finish	UPC
5011-BK	Black	615624264921
5011-BR	Bronze	615624267946

