

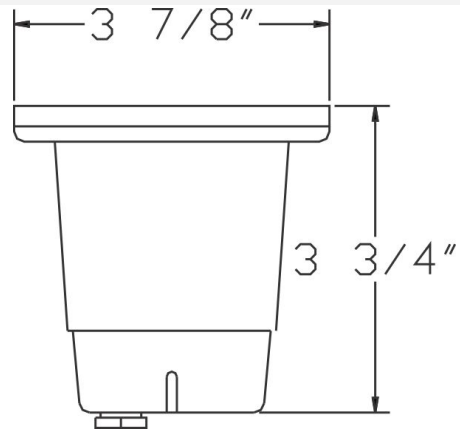


**Catalog#: 5010**  
**MR16 SPOT/WELL FIXTURE**

**Category** Landscape Lighting  
**Page** [116](#)

**Specifications:**

**Material** Cast Aluminum  
**Voltage** 12 Volts  
**Lamp type:** MR16 20W Lamp Included, 35W Max.  
**Lens type** Tempered Glass Lens  
**Socket** Premium grade Porcelain socket with Nickel contacts and Teflon-jacketed wire leads  
**Gasket** Sealed with high grade weatherproof Silicone Gasket  
**Wiring** Pre-wired with 24" SJT Cord  
**Accessories** Optional Adjustable Direction Lamp Bracket  
**Document** [Installation Instructions](#)  
**Certifications**



Cat. No.	Finish	UPC
5010-BK	Black	615624264891
5010-BR	Bronze	615624267939
5010-WH	White	615624264914

