

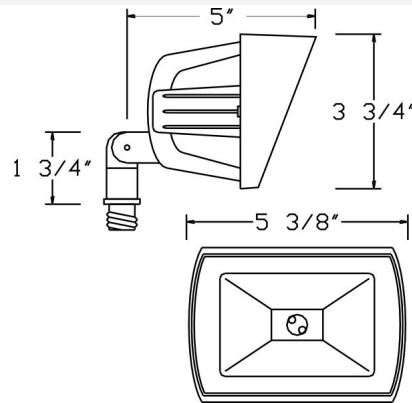


Catalog#: 6011
RECTANGULAR FLOOD

Category Landscape Lighting
Page [17](#)

Specifications:

Material Cast Aluminum
Voltage 12 Volts
Lamp type JC Bi-Pin 3W 3000K(WW) LED Bulb Included (50W Max.)
Lens type Tempered Glass Lens
Socket Premium grade Porcelain socket with Nickel contacts and Teflon-jacketed wire leads
Gasket Sealed with high grade weatherproof Silicone Gasket
Wiring Pre-wired with 24" SPT-1 Cord
Accessories Adjustable Key Knuckle
 GS-85 PVC Spike
[SWN-BK](#) Silicone Wire Nuts
Document [Installation Instructions](#)
Certifications



Cat. No.	Finish	UPC
6011-BK	Black	615624267625
6011-BR	Bronze	615624267632
6011-VG	Green	615624267649

