

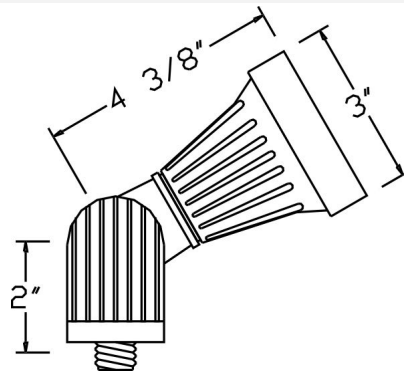


**Catalog#: 1020**  
**LARGE BULLET FIXTURE**

**Category** Landscape Lighting  
**Page** [16](#)

**Specifications:**

**Material** Cast Aluminum  
**Voltage** 12 Volts  
**Lamp type** MR16 5W 3000K (WW) LED Bulb Included (35W Max.)  
**Lens type** Tempered Glass Lens  
**Socket** Premium grade Porcelain socket with Nickel contacts and Teflon-jacketed wire leads  
**Gasket** Sealed with high grade weatherproof Silicone Gasket  
**Wiring** Pre-wired with 24" SPT-1 Cord  
**Accessories** GS-85 PVC Spike  
[SWN-BK](#) Silicone Wire Nuts  
**Document** [Installation Instructions](#)  
**Certifications**



Cat. No.	Finish	UPC
1020-BK	Black	615624266451
1020-BR	Bronze	615624266468

