

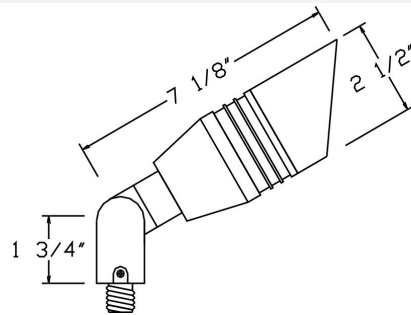


**Catalog#: S121**  
**SIG. SERIES MR16 DIRECTIONAL LIGHT**


**Category** Landscape Lighting  
**Page** [15](#)

**Specifications:**

**Material** Cast Aluminum  
**Voltage** 12 Volts  
**Lamp type** MR16 5W 3000K (WW) LED Bulb Included (35W Max.)  
**Lens type** Convex Tempered Glass Lens  
**Socket** Premium grade Porcelain socket with Nickel contacts and Teflon-jacketed wire leads  
**Gasket** Sealed with high grade weatherproof Silicone Gasket  
**Wiring** Pre-wired with 24" SPT-1 Cord  
**Accessories** GS-85 PVC Spike  
[SWN-BK](#) Silicone Wire Nuts  
 Spring-mounted lamp positioned behind lens



**Document** [Installation Instructions](#)

**Certifications**  

Cat. No.	Finish	UPC
S121-BK	Black	615624264044
S121-BR	Bronze	615624264051
*S121-SA	Sand	615624271295

\*While Supplies Last

