

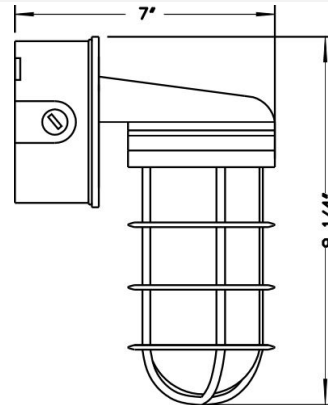


Catalog#: VPW2
150W VAPOR PROOF FIXTURE - WALL MOUNT

Category Line Voltage
Page [143](#)

Features:

- Material Die Cast Aluminum with Die Cast Guard
- Socket Premium grade Porcelain socket - Pulse Rated
- Gasket Sealed with High Grade Weatherproof Silicone Gasket
- Wiring Pre-wired Teflon-jacketed 9" Pigtail
- Lamp type Medium Base E26 Socket Lamp Not Included, 150W Max.
- Accessories Silicone Gasket
1/2" NPS Hub Size
Clear Glass Jar



Cat. No.	Finishes	UPC
VPW2	Clear	615624374385

