

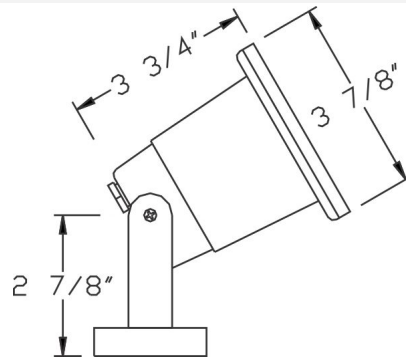


**Catalog#: SS510**  
**UNDER WATER FIXTURE MR16 -SOLID S/S**

**Category** Landscape Lighting  
**Page** [128](#)

**Specifications:**

**Material** Solid Grade 304 Stainless Steel  
**Voltage** 12 Volts  
**Lamp type** MR16 5W 3000K (WW) LED Bulb Included (35W Max.)  
**Lens type** Tempered Glass  
**Socket** Premium grade Porcelain socket with Nickel contacts and Teflon-jacketed wire leads  
**Gasket** Sealed with high grade weatherproof Silicone Gasket  
**Wiring** Pre-wired with 30 Ft SJT Cord  
**Accessories** Silicone Gasket  
 Stainless Steel Fittings  
**Document** [Installation Instructions](#)  
**Certifications**



Cat. No.	Finish	UPC
SS510	Stainless Steel	615624265409

