



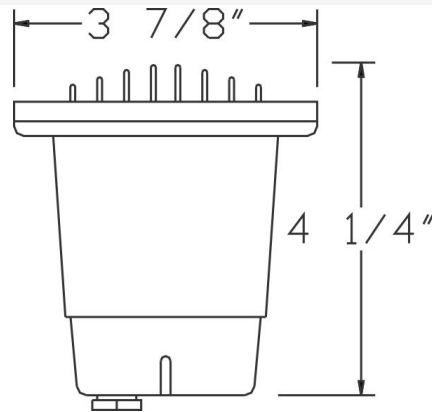


Catalog#: SS5012
STAINLESS MR16 WELL LIGHT W/ LOUVER

Category Landscape Lighting
Page [115](#)

Specifications:

- Material Cast Grade 304 Stainless Steel
- Voltage 12 Volts
- Lamp type: MR16 5W 3000K (WW) LED Bulb Included (35W Max.)
- Lens type Tempered Glass Lens
- Socket Premium grade Porcelain socket with Nickel contacts and Teflon-jacketed wire leads
- Gasket Sealed with high grade weatherproof Silicone Gasket
- Wiring Pre-wired with 24" SJT Cord
- Document [Installation Instructions](#)
- Certifications  



Cat. No.	Finish	UPC
*SS5012	Stainless Steel	615624374057

*While Supplies Last

