

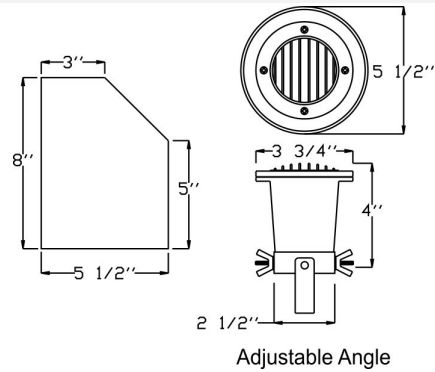


**Catalog#: SS5010AP**  
**STAINLESS MR16 WELL LIGHT**

**Category** Landscape Lighting  
**Page** [115](#)

**Specifications:**

**Material** Cast Grade 304 Stainless Steel  
**Voltage** 12 Volts  
**Lamp type:** MR16 20W Lamp Included, 35W Max.  
**Lens type** Tempered Glass Lens  
**Socket** Premium grade Porcelain socket with Nickel contacts and Teflon-jacketed wire leads  
**Gasket** Sealed with high grade weatherproof Silicone Gasket  
**Wiring** Pre-wired with 24" SJT Cord  
**Document** [Installation Instructions](#)  
**Certifications**



Cat. No.	Finish	UPC
SS5010AP	Stainless Steel	615624373982

