



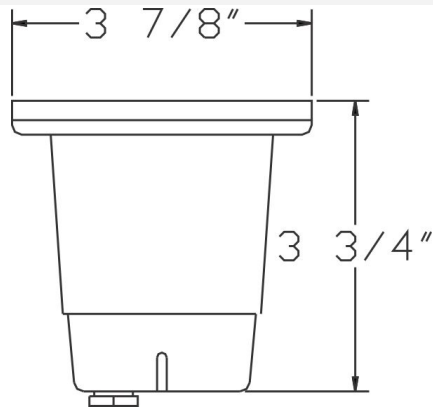


**Catalog#: SS5010**  
**STAINLESS MR16 WELL LIGHT**

**Category** Landscape Lighting  
**Page** [115](#)

**Specifications:**

- Material Cast Grade 304 Stainless Steel
- Voltage 12 Volts
- Lamp type: MR16 5W 3000K (WW) LED Bulb Included (35W Max.)
- Lens type Tempered Glass Lens
- Socket Premium grade Porcelain socket with Nickel contacts and Teflon-jacketed wire leads
- Gasket Sealed with high grade weatherproof Silicone Gasket
- Wiring Pre-wired with 24" SJT Cord
- Document [Installation Instructions](#)
- Certifications  



Cat. No.	Finish	UPC
SS5010	Stainless Steel	615624373975

