



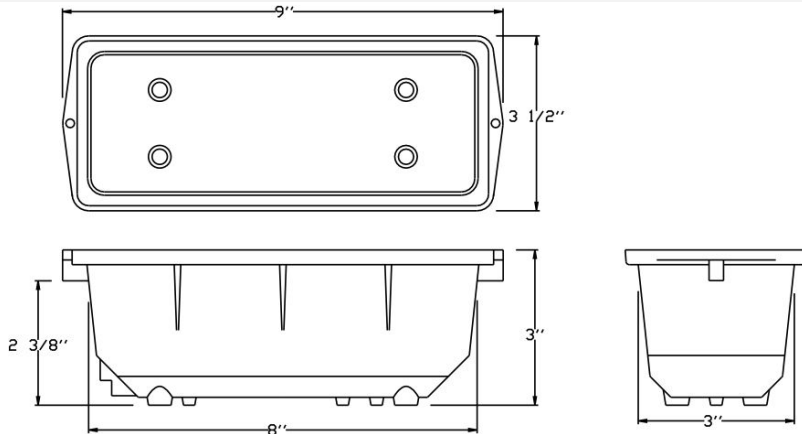
Catalog#: 7210H-E26
INCANDESCENT HOUSING FOR 7210 SERIES

Category Line Voltage

Features:

Material	Powder Coated Cast Aluminum
Socket	Premium Grade Porcelain Socket
Gasket	Sealed with High Grade Weatherproof Silicone Gasket
Wiring	Pre-wired 9" 18/2 SPT-1 Cord
Lamp type	T-10 Lamp Not Included, 40W Max.
Accessories	Silicone Gasket Fits with 7210C or 7212C Coverplates

Dimensions:



Cat. No.	UPC
7210H-E26	615624270618

* While Supplies Last

