

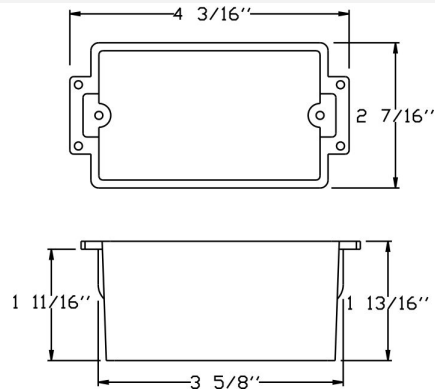


**Catalog#: 7100H**  
**STEP LIGHT HOUSING JC 12V**

**Category** Landscape Lighting  
**Page** [122](#)

**Specifications:**

**Material** Cast Aluminum  
**Voltage** 12 Volts  
**Lamp type** JC Bi-Pin 3W 3000K (WW) LED Bulb Included (20W Max.)  
**Socket** Premium grade Porcelain socket with Nickel contacts and Teflon-jacketed wire leads  
**Gasket** Sealed with high grade weatherproof Silicone Gasket  
**Wiring** Pre-wired with 24" SPT-1 Cord  
**Accessories** Silicone Gasket  
 Fits with [7110C](#), [7112C](#), [7121C](#), or



**Document** [7122C Coverplate Installation Instructions](#)

**Certifications**



Cat. No.	UPC
7100H	615624270007

