

## INSTALLATION INSTRUCTIONS



**WARNING:** All work must be performed by qualified electrician. Luminaire must be installed and grounded in accordance with the National Electrical Code (NEC) and local codes. Failure to do so may result in serious injury and/or damage to the luminaire.

**WARNING:** Debris must be kept clear from top and interior of in-grade fixtures. Excessive heat could occur that may create a fire hazard and/or harm the fixtures components. Specific attention must be made to never install in-grade fixture in mulch, wood chips or other potentially ignitable materials. For installation in potentially ignitable materials, such as mulch and wood chips, installer must use an above-grade mounted fixtures. Failure to do so will void the warranty and may result in serious injury and/or damage the fixture and/or property.

**SAFETY WARNING:** Luminaire can become very hot depending on the lamp wattage used. Lens and housing around the lamp can become hot enough to blister hands. Particular care should be taken not to locate luminaires where small children can reach them if high wattage lamps are used.

**NOTE:** Save these instructions for future reference.

### NOTE:

#### LFL6 480V - Series

**Operating Voltage: 277~480VAC**

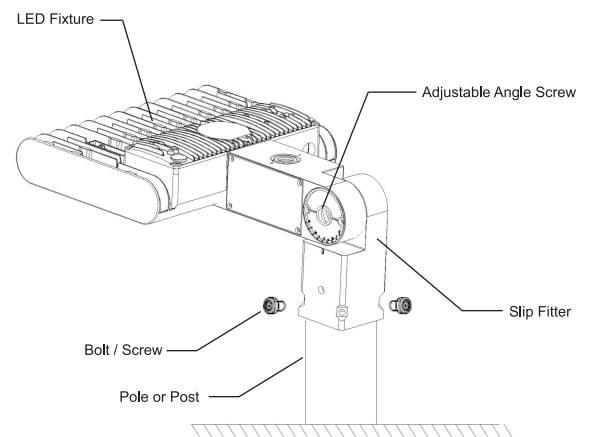
### SLIP FITTER TYPE

#### PRECAUTION:

This luminaire is designed to be mounted on a pole or post up to 2" diameter only.

#### MOUNTING FOR POLE OR POST:

1. To prevent electrical shock, disconnect power from electrical supply before installation or service.
2. Check the pole or post size before start any installation. The slip fitter can be used up to 2" diameter only.
3. Attach luminaire leads first to line and observing polarity, black to black, white to white and green to ground by using wire nuts (not included).
4. Insert the luminaire Slip Fitter to the pole or post.
5. Tighten the four bolts / screws of the slip fitter evenly.
6. To adjust luminaire aiming angle, un-tighten the adjustable angle screw. Do not disengaged totally. Hold luminaire at selected angle and tighten the screw firmly.
7. Turn ON power and check for proper operation.



SLIP FITTER TYPE

**NOTE:** Illustrations are used for reference purposes only; actual fixture may differ on each luminaire.



## INSTALLATION INSTRUCTIONS

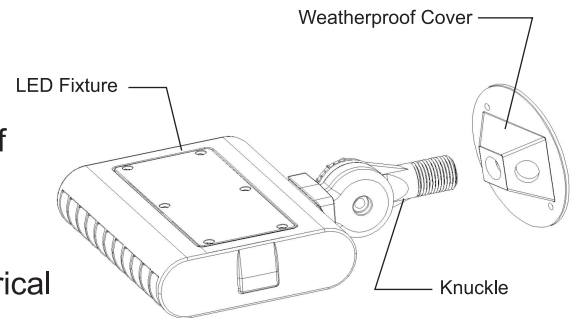
### KNUCKLE TYPE

#### PRECAUTION:

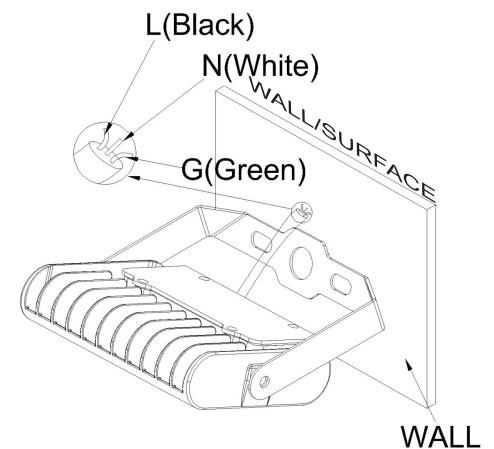
This luminaire is designed to be mounted on a weatherproof cover with 1/2" hole.

#### MOUNTING FOR WALL/SURFACE:

1. To prevent electrical shock, disconnect power from electrical supply before installation or service.
2. Check the weatherproof cover hole size before start any installation. The luminaire has 1/2" threaded knuckle.
3. Install the weatherproof cover to the luminaire knuckle.
4. Attach luminaire leads to line observing polarity, black to black, white to white and green to ground to weatherproof box.
5. To adjust luminaire aiming angle, un-tighten the adjustable screw of knuckle. Do not disengaged totally. Hold luminaire at selected angle and tighten the screw firmly.
6. Turn ON power and check for proper operation.



#### KNUCKLE TYPE



#### TRUNNION TYPE

### TRUNNION TYPE

#### PRECAUTION:

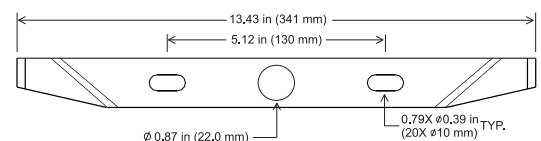
This luminaire is designed to be mounted directly to the wall or surface.

#### MOUNTING FOR WALLS/SURFACE:

1. To prevent electrical shock, disconnect power from electrical supply before installation or service.
2. Check bracket screw hole and distance before start any installation. Screw/bolt is not provided. See bracket hole size/distance table and bracket dimensions according to model number.
3. Drill a hole and install luminaire.
4. Attach luminaire leads to line observing polarity, black to black, white to white and green to ground.
5. To adjust luminaire aiming angle, un-tighten the adjustable screw of trunion. Do not disengaged totally. Hold luminaire at selected angle and tighten the screw firmly.
6. Turn ON power and check for proper operation.

**NOTE:** Illustrations are used for reference purposes only; actual fixture may differ on each luminaire.

#### BRACKET DIMENSIONS



LFL6-150W/220W/300W (480V)

#### BRACKET HOLE SIZE/DISTANCE

MODEL NO.:	SCREW HOLE DIA. inch (mm)	CL. DISTANCE inch (mm)
LFL6-150/220/300W (480V)	0.39 (10)	5.12 (130)