



# INSTALLATION INSTRUCTIONS

READ AND SAVE THESE INSTRUCTIONS

Orbit Industries, Inc.



## READ ALL SAFETY WARNINGS BEFORE PROCEEDING.

### SAFETY INSTRUCTIONS WARNING:

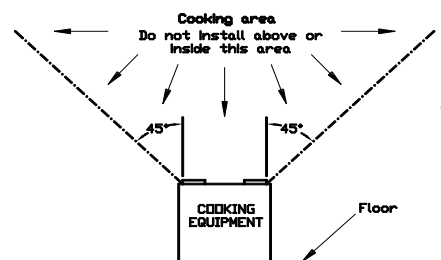
**“WARNING - To Reduce The Risk Of Electric Shock, Do Not Use This Fan With Any Solid-State Speed Control Device.”**

### WARNING - TO REDUCE THE RISK OF FIRE, ELECTRIC SHOCK, OR INJURY TO PERSON, OBSERVE THE FOLLOWING:

- a) Use this unit only in the manner intended by the manufacturer. If you have questions, contact the manufacturer.
- b) Before servicing or cleaning unit, switch power off at service panel and lock the service disconnecting means to prevent power from being switched on accidentally. When the service disconnecting means cannot be locked, securely fasten a prominent warning device, such as a tag, to the service panel.

### WARNING - TO REDUCE THE RISK OF FIRE, ELECTRIC SHOCK, OR INJURY TO PERSON, OBSERVE THE FOLLOWING:

- a) Installation work and electrical wiring must be done by qualified person(s) in accordance with all applicable codes and standards, including fire-rated construction.
- b) When cutting or drilling into wall or ceiling, do not damage electrical wiring and other hidden utilities.
- c) Ducted fans must always be vented to the outdoors.
- d) If this unit is to be installed over a tub or shower, it must be marked as appropriate for the application and be connected to a GFCI (Ground Fault Circuit Interrupter) - protected branch circuit.



- a) "Do not install fan above or inside a 45-degree angle projected outwards from the cooking equipment element closest to the fan. See instruction sheet for clarification;" or
- b) "Not for use in cooking area - see installation instructions;"

**" Do Not Mount In A Ceiling Thermally Insulated To A Value Greater Than R40"**

**"CAUTION - For General Ventilating Use Only. Do Not Use To Exhaust Hazardous Or Explosive Materials And Vapors."**

**WARRANTY OWNER:** Orbit Industries, Inc., warrants to the original consumer purchaser that it's products will be free from defects in materials or workmanship for a period of one year from the date of original consumer purchase.

**THERE ARE NO OTHER WARRANTIES, EXPRESS OR IMPLIED, INCLUDING, BUT NOT LIMITED TO, IMPLIED WARRANTIES OF MERCHANTABILITY OR FITNESS FOR A PARTICULAR PURPOSE.**

During this one year period, Orbit, will at its option, repair or replace, without charge, any products or part which is found to be defective under normal use and service. **THIS WARRANTY DOES NOT EXTEND TO FLUORESCENT LAMP STARTERS OR TUBES, FILTERS, DUCT, ROOF CAPS, and OTHER ACCESSORIES FOR DUCTING.**

This warranty does not cover (a) normal maintenance and service or (b) any products or parts which have been subject to misuse, negligence, accident, improper maintenance of repair (other than by Orbit), faulty installation or installation contrary to recommended installation instructions. The duration of any implied warranty is limited to the one year period as specified for the express warranty. Orbit **OBLIGATION TO REPAIR OR REPLACE, AT Orbit OPTION, LIABLE FOR INCIDENTAL, CONSEQUENTIAL OR SPECIAL DAMAGES ARISING OUT OF OR IN CONNECTION WITH PRODUCT USE OR PERFORMANCE.** Some states do not allow the exclusion or limitation of incidental or consequential damages, so the above limitation or exclusive may not apply to you. This warranty gives you specific legal rights, and you may have other rights, which vary from state to state. This warranty supercedes all prior warranties.

**WARRANTY SERVICE:** To qualify for warranty service, you must (a) notify Orbit at the address stated below, (b) give the model number and part identification and (c) describe the nature of any defect in the product or part. At the time of requesting warranty service, you must present evidence of the original purchase date.

Date of installation: \_\_\_\_\_ Installer: \_\_\_\_\_

Model number \_\_\_\_\_ Product Description: \_\_\_\_\_

Orbit Industries, Inc. 2100 S. Figueroa St. Los Angeles, CA 90007 Tel: (213) 745-8884 Fax: (213) 745-2015 1-800-90-ORBIT

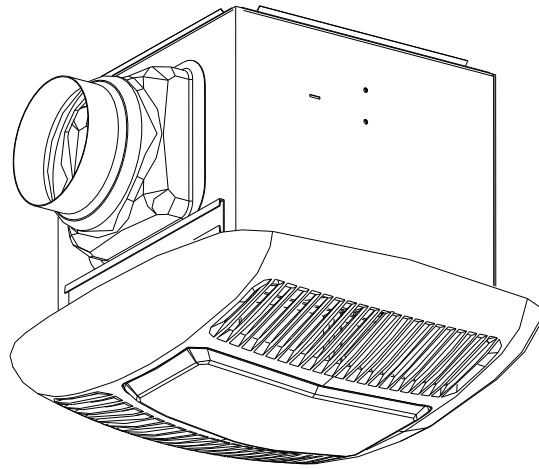




# INSTALLATION INSTRUCTIONS

## READ AND SAVE THESE INSTRUCTIONS

Orbit Industries, Inc.



**OEP80L/OEP90L/OEP110L**  
**OD50L/OD80L/OD90L/OD100L/OD110L/OD120L**

### Caution:

To fix the grille correctly, please notice the indication in Fig.1 of logo and duct connector.

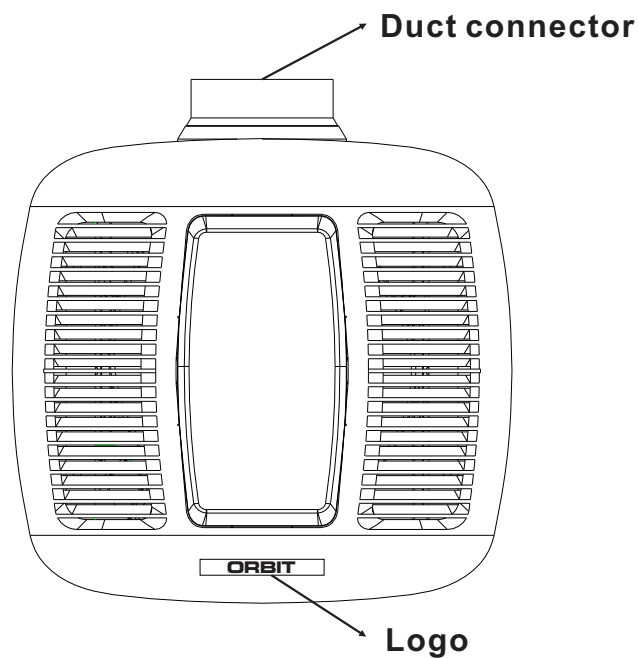


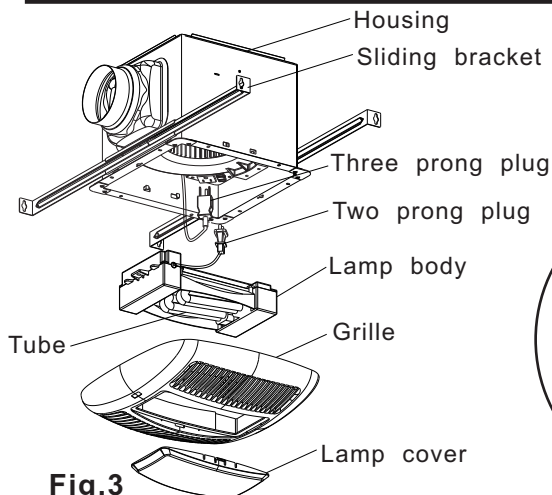
Fig.1





# INSTALLATION INSTRUCTIONS

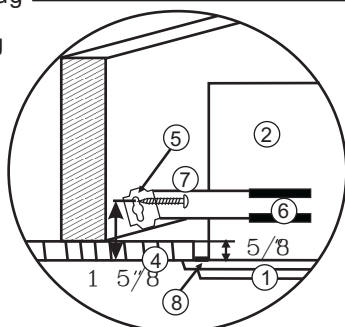
**READ ALL SAFETY WARNINGS BEFORE PROCEEDING.**



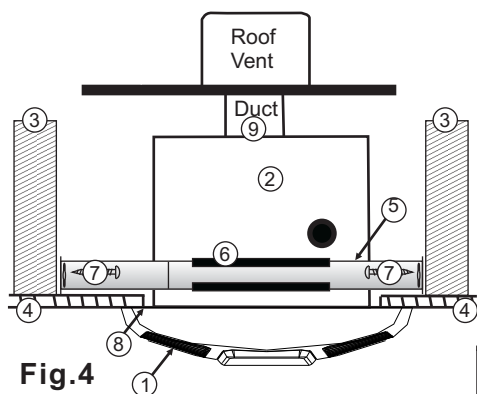
**Fig.3**

4" termination (duct)  
 Rough Opening:  
 L 10-3/4" x W 10-3/4"  
 Housing Dimension:  
 L 10-5/8" x W 10-5/8" x H 7-5/8"

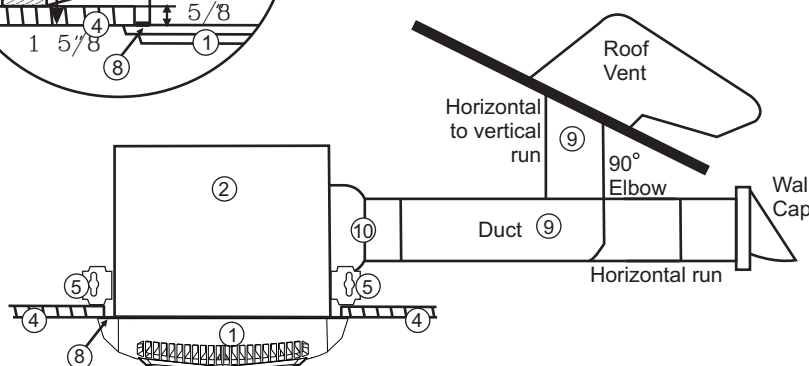
Carefully position fan for shortest duct run and fewest elbows to achieve maximum performance.



- ① Grille
- ② Housing
- ③ Joist
- ④ Ceiling
- ⑤ Sliding bracket
- ⑥ Bracket mount
- ⑦ Screws
- ⑧ Housing bottom flange
- ⑨ Duct
- ⑩ Termination & damper



**Fig.4**



**Fig.5**

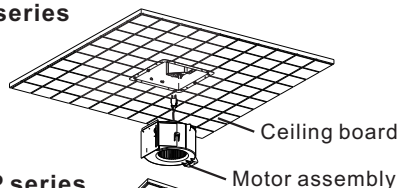
## Existing Construction

1. For new fan installation position the housing in the attic next to the ceiling joist or truss.
2. Trace housing bottom edge on ceiling material for cutout.
3. Confirm the opening, then cut hole 1/16" larger than the housing edge all around.
4. Place housing in the opening with allowance so bottom edge will fit flush to the finished ceiling.
5. To attach follow steps 3, 4, 5 for New Construction.

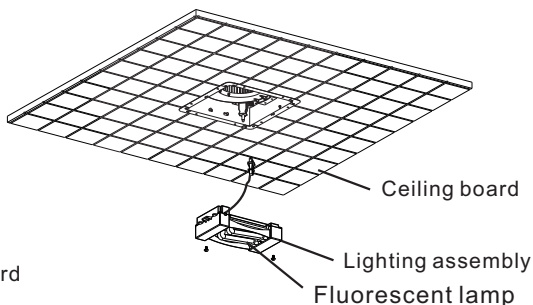
1. Remove grille from housing before installation.
2. Insert pair of sliding brackets in each bracket mount.
3. Locate housing between ceiling joists or truss so bottom flange will fit flush to the finished ceiling. Note: sliding bracket to bottom flange = 3/4". Sliding bracket end tab is 1/4", align with joist bottom for 1/2" ceiling sheetroc.
4. Loosely screw to joist through the mounting bracket KEYHOLE slots (screws not provided).
5. Confirm housing alignment for ceiling finished thickness then tighten keyhole screw. Note: housing must be flush with the finished ceiling for the grille to fit properly. Add a screw in the hole above the keyhole slot.
6. connect the house power wires to wires of the product according to the wiring diagram.
7. Insert the motor assembly into the housing and secure the motor unit to the housing by screw (M5X12) (Fig.6)
8. Fix the lighting assembly into the housing by screws (Fig.7). And then insert the 18 watt fluorescent lamps into the lighting assembly .
9. Insert the grille springs into the slots of the casing and mount the grille unit. Finish the installation work .(Fig.8).

## D series

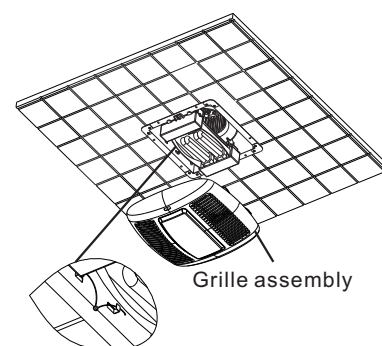
## EP series



**Fig.6**



**Fig.7**



**Fig.8**