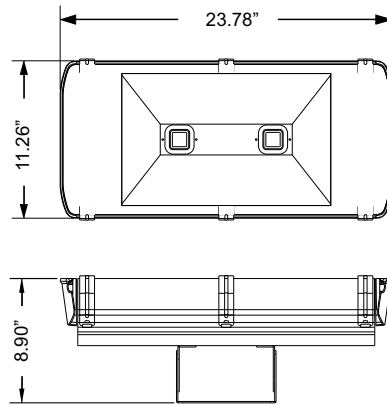
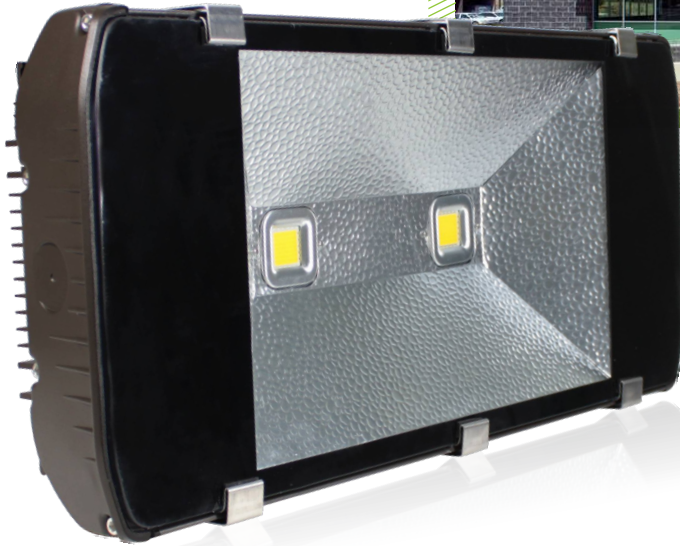


LFLC-150W



“ 150W fixture equivalent to 250W metal halide ”

The rugged LFLC floodlight is ideal for exterior building lighting, sign lighting, security lighting, and other outdoor applications.



PRODUCT FEATURES

- 120~277V
- UL Listed For Wet Location
- Die Cast Aluminum Housing
- UV Resistant Bronze Powder Coat Finish
- Operating Temp: -20°C to +40°C (-4°F to +104°F)
- 50,000 life hours
- Tempered Glass Lens with Weatherproof Gasket
- 5 Year Warranty

Catalog Number	System Wattage	LED	Efficacy	Color Temperature	Emission Color	Lumens	CRI
LFLC-150W-WW	150W	COB	83 lm/W	3000K	Warm White	12500 lm	68+
LFLC-150W-CW	150W	COB	83 lm/W	5000K	Cool White	12500 lm	68+



LM79



IP65