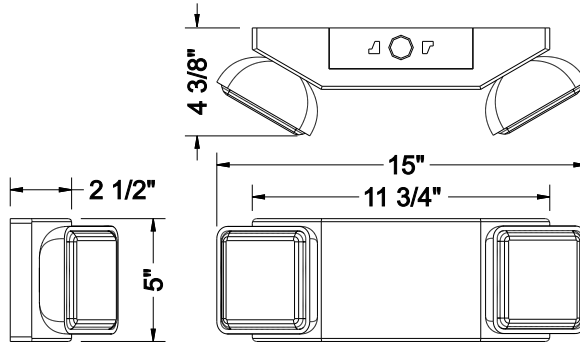


HIGH OUTPUT EMERGENCY LIGHT WITH REMOTE CAPACITY

Remote-Capable for up to 2 Additional Heads



EL2N-HO



- Listed for Damp Location
- 120/277 VAC with Universal Transformer
- Two 5.4W Wedge Base Lamps Std. (Optional 9W)
- 90 minutes Emergency Operation w/ 4 5.4W. Heads
- 6V, 7Ah Lead-Acid, Maintenance-Free Battery
- Environmentally-Coated Solid State Charger
- Short Circuit and Power Loss Protection
- Push to Test Switch
- Automatic, Low Voltage Disconnect (LVD)

- Charge Rate/Power on LED Indicator
- Completely Self-Contained
- Fully Automatic Operation
- Universal Mounting Plate
- Quick-Wire
- Injection-Molded, V-O Flame retardant, high-impact, thermoplastic casing
- Wall or Ceiling Mount



Optional Self Diagnostic/Self Test feature offers the ultimate worry-free maintenance & reliability

Output / Number of Heads

Cat. No.	Self-Diagnostic Test
EL2N-HO	SDT

Watts for 90 Min.	Battery	Lamp	Total No. of Connected 5.4W Heads		
	Voltage	Wattage	3 Hrs	2 Hrs	1-1/2 Hrs
22	6V	5.4W	2	3	4

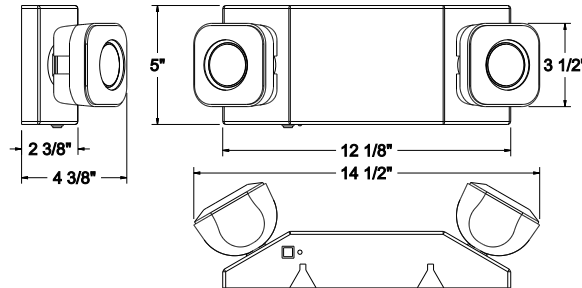


Exit & Emergency

HIGH OUTPUT MR16 EMERGENCY LIGHT WITH REMOTE CAPACITY



EL2H-HO



- 120/277 VAC with Universal Transformer
- Two 6V 5W MR16 Halogen Lamps
- 90 minutes Emergency Operation w/ up to 4 Heads
- 6V, 7Ah Lead-Acid, Maintenance-Free Battery
- Environmentally-Coated Solid State Charger
- Short Circuit and Power Loss Protection
- Push to Test Switch
- Automatic, Low Voltage Disconnect (LVD)
- Charge Rate/Power on LED Indicator Light

- Completely Self-Contained
- Fully Automatic Operation
- Compact Low Profile Design
- Adjustable Heads
- Universal Mounting Plate
- Quick-Wire
- Injection-Molded, V-O Flame retardant, high-impact, thermoplastic casing
- Wall or Ceiling Mount



Optional Self Diagnostic/Self Test feature offers the ultimate worry-free maintenance & reliability

Output / Number of Heads

Cat. No.	Self-Diagnostic Test
EL2H-HO	SDT

Watts for 90 Min.	Battery	Lamp	Total No. of Connected 5W Heads		
	Voltage	Wattage	3.3 Hrs	2.2 Hrs	1-1/2 Hrs
22	6V	5W	2	3	4

