

4S Boxes

4" SQUARE (4S) BOXES & EXTENSION RINGS

WELDED

1-1/2" DEEP

21.0 Cu. In.

- Raised Ground Emboss (Except for Bracketed Boxes and Extension Boxes)

Metal Stud Bracket:

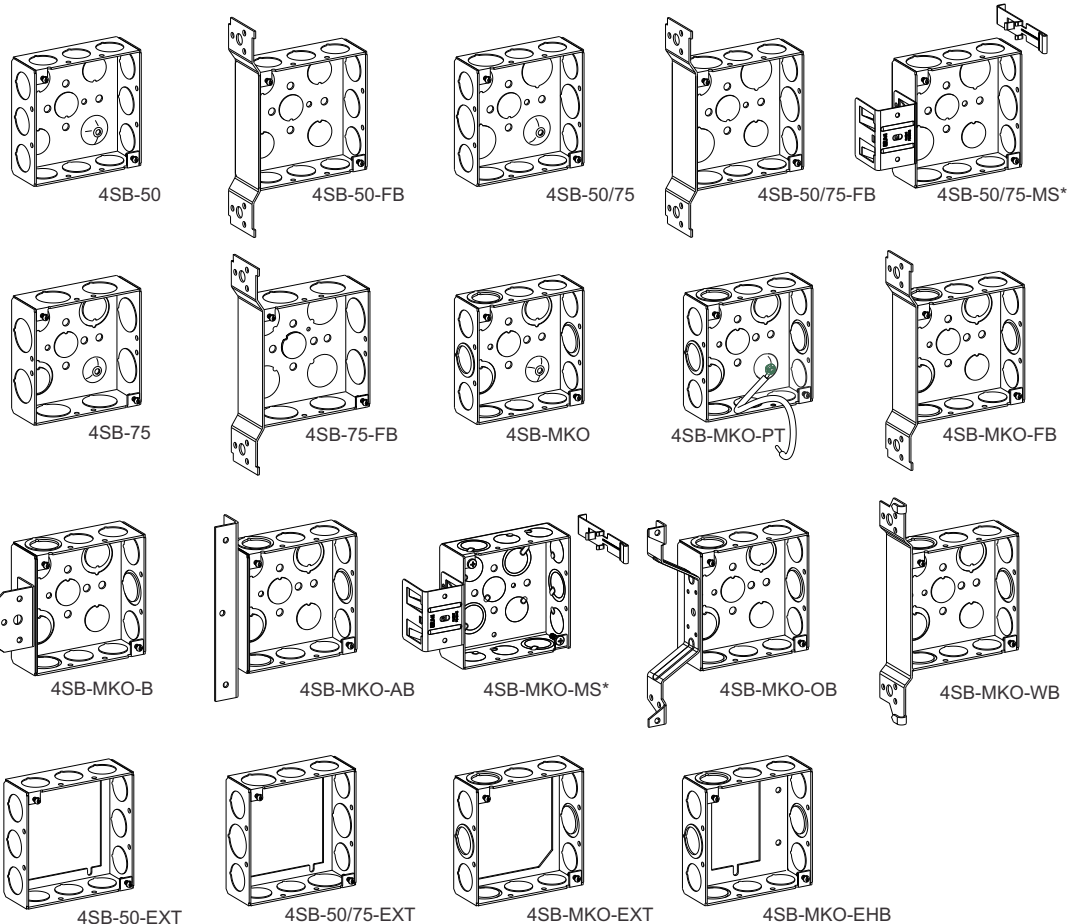
- UMI Patent Pending Metal Stud (MS) Bracket Engages On Either Side Of A Metal Stud
- *Model Revised Feb. 2008

Boxes with Pigtail:

- Raised Ground Emboss and Pre-Assembled 3-Way, 10-32 Ground Screw and Solid #12AWG Pigtail



Cat. No.	Bracket & Setback	Knockouts		Std. Pkg.
		Sides	Bottom	
4SB-50	-	12 - 1/2"	4 - 1/2"	50
4SB-50-FB	FB, Flush	9 - 1/2"	5 - 1/2"	24
4SB-50/75	-	8 - 1/2", 4 - 3/4"	2 - 1/2", 2 - 3/4"	50
4SB-50/75-FB	FB, Flush	6 - 1/2", 3 - 3/4"	3 - 1/2", 2 - 3/4"	24
4SB-50/75-MS*	MS, Self-Gripping + Box Support Clip	6 - 1/2", 3 - 3/4"	3 - 1/2", 2 - 3/4"	24
4SB-75	-	8 - 3/4"	2 - 1/2", 2 - MKO	50
4SB-75-FB	FB, Flush	6 - 3/4"	1 - 1/2", 4 - 3/4"	24
4SB-MKO	-	8 - 1/2", 4 - MKO	2 - 1/2", 2 - MKO	50
4SB-MKO-PT	With 7" Pigtail	8 - 1/2", 4 - MKO	2 - 1/2", 2 - MKO	50
4SB-MKO-FB	FB, Flush	6 - 1/2", 3 - MKO	3 - 1/2", 2 - MKO	24
4SB-MKO-B	B, Flush	6 - 1/2", 3 - MKO	3 - 1/2", 2 - MKO	24
4SB-MKO-AB	AB, 9/16"	6 - 1/2", 3 - MKO	3 - 1/2", 2 - MKO	24
4SB-MKO-MS*	MS, Self-Gripping + Box Support Clip	6 - 1/2", 3 - MKO	3 - 1/2", 2 - MKO	24
4SB-MKO-OB	OB, 1-5/16"	6 - 1/2", 3 - MKO	3 - 1/2", 2 - MKO	24
4SB-MKO-WB	WB, Flush	6 - 1/2", 3 - MKO	3 - 1/2", 2 - MKO	24
4SB-50-EXT	-	12 - 1/2"	-	50
4SB-50/75-EXT	-	8 - 1/2", 4 - 3/4"	-	50
4SB-MKO-EXT	-	8 - 1/2", 4 - MKO	-	50
4SB-MKO-EHB	Extension Ring to Handy Box	8 - 1/2", 4 - MKO	-	50



Certification:

- File E227970
- Acceptable for use in 2-hour Fire Rated Walls, Visit www.ul.com