

Ultimate Support Bracket System

Steel Products

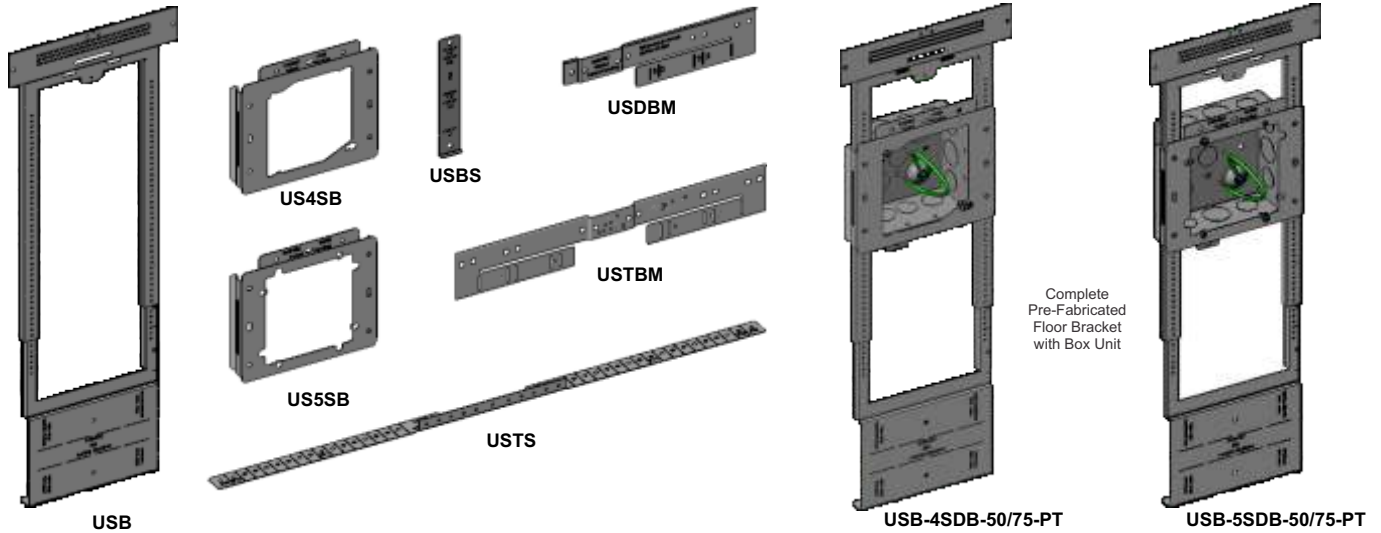
FLOOR/WALL SUPPORT BRACKET

Product Features:

- Can be floor or wall mounted on Wooden or Metal Studs
- Infinite height and width combinations
- Provides flexibility at the job site
- **USB must be accompanied with either US4SB or US5SB mounting bracket to attach a steel box**

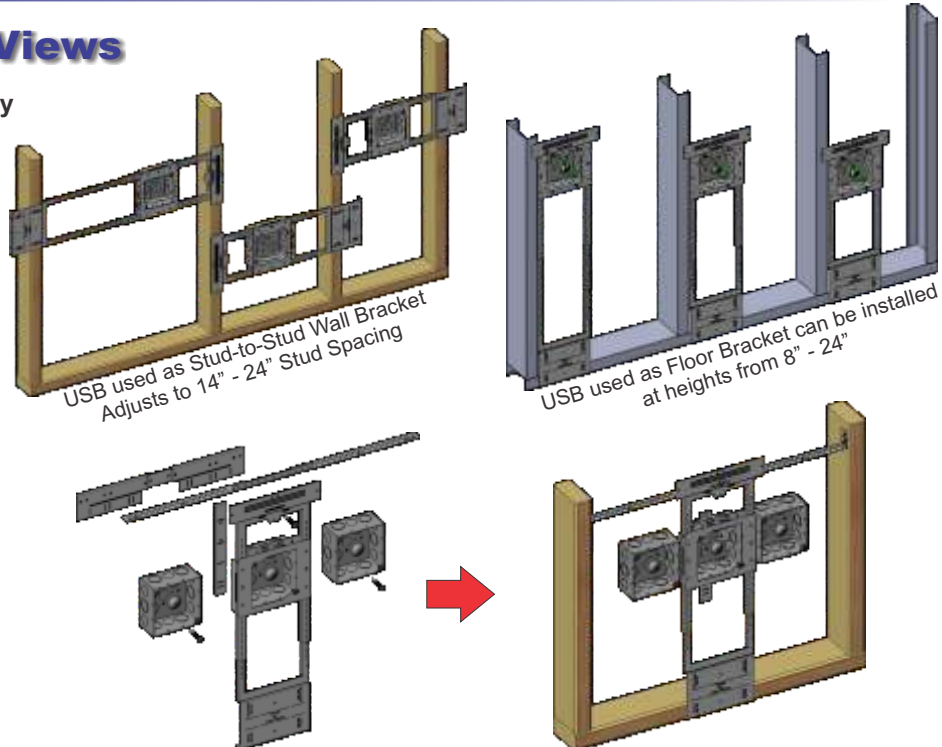


Cat. No.	Description	Std. Pkg.
USB	Ultimate Support Bracket, Adj. 8"-24" as a floor brkt or 14"-24" as a wall brkt between studs	12
US4SB	Mounting Bracket for 4" (4S) Box, snaps to USB	24
US5SB	Mounting Bracket for 4-11/16" (5S) Box, snaps to USB	50
USBS	Far-Side Back Support for 4" (4S) and 4-11/16" (5S) Boxes	50
USDBM	For use with USB to create a double box in floor mount assembly with built-in back support	50
USTBM	For use with USB to create a triple box in floor mount assembly with built-in back support	50
USTS	USB floor mount stud to stud top support	50
USB-4SDB-50/75-PT	Complete Pre-Assembled Floor Bracket with a 4" (4S) 2-1/8" Deep Box mounted, Includes installed Far-Side Back Support and Ground Pigtail	12
USB-5SDB-50/75-PT	Complete Pre-Assembled Floor Bracket with a 4-11/16" (5S) 2-1/8" Deep Box mounted, Includes installed Far-Side Back Support and Ground Pigtail	12



Installation Views

Patented Revolutionary New System



Certification:

- File E227970

Up to three 4S or 5S Boxes can be mounted on a single USB as a Floor Bracket using USB Accessories