

5S Deep Boxes

Product Brand



Steel Products

4-11/16" SQUARE (5S) BOXES

WELDED

2-1/8" DEEP

42.0 Cu. In.

- With Raised Ground Emboss (Except for Bracketed Boxes and Extension Rings)

Metal Stud Bracket:

- UMI Patent Pending Metal Stud (MS) Bracket Engages On Either Side Of A Metal Stud
- *Model Revised Feb. 2008

Boxes with Pigtail:

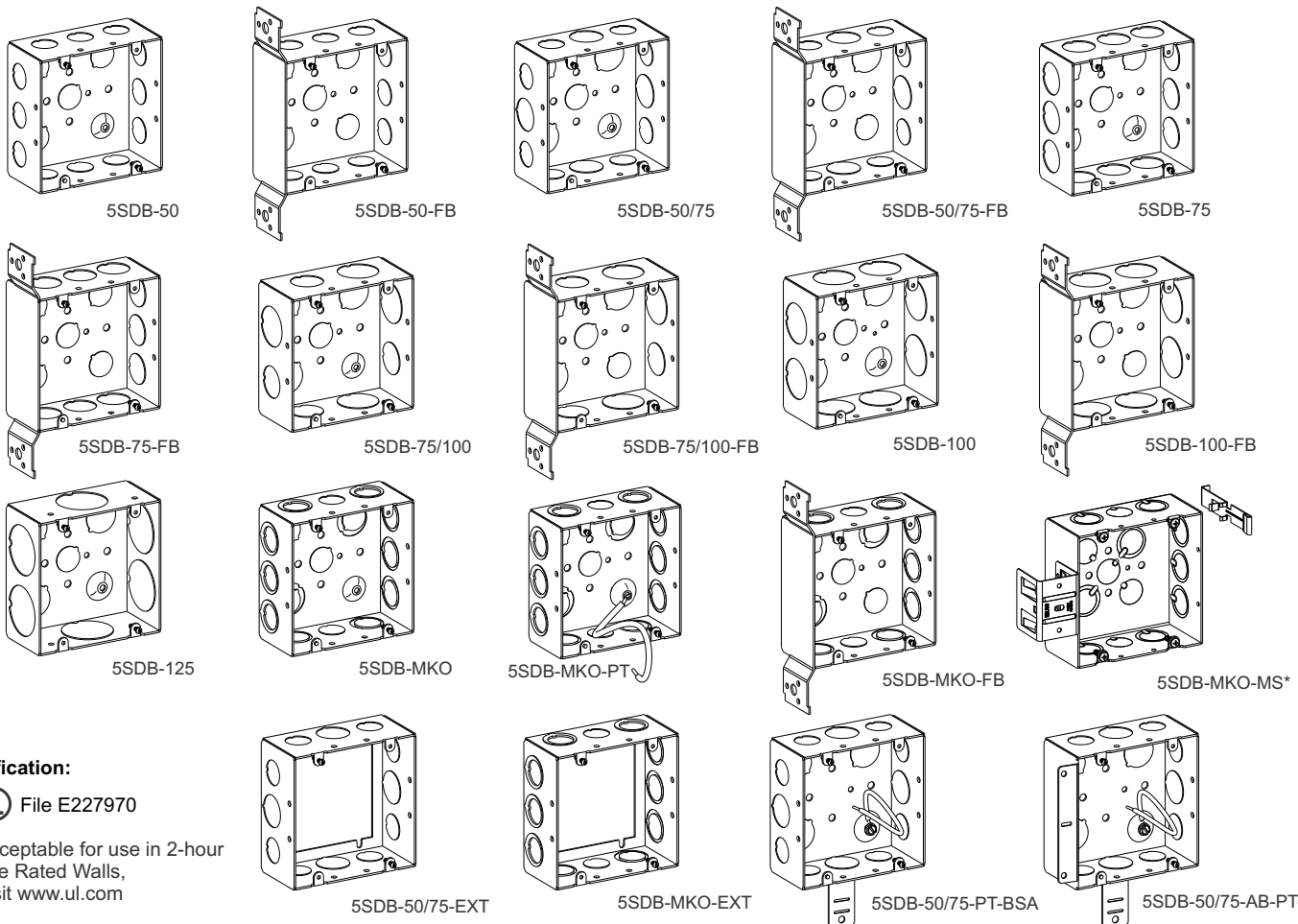
- Raised Ground Emboss and Pre-Assembled 3-Way, 10-32 Ground Screw and Solid #12AWG Pigtail

BSA Boxes:

- See page A11 for Installation View



Cat. No.	Bracket & Setback	Knockouts		Std. Pkg.
		Sides	Bottom	
5SDB-50	-	12 - 1/2"	4 - 1/2"	24
5SDB-50-FB	FB, Flush	9 - 1/2"	5 - 1/2"	24
5SDB-50/75	-	8 - 1/2", 4 - 3/4"	2 - 1/2", 2 - 3/4"	24
5SDB-50/75-FB	FB, Flush	6 - 1/2", 3 - 3/4"	3 - 1/2", 2 - 3/4"	24
5SDB-75	-	12 - 3/4"	2 - 1/2", 2 - 3/4"	24
5SDB-75-FB	FB, Flush	9 - 3/4"	3 - 1/2", 2 - 3/4"	24
5SDB-75/100	-	4 - 3/4", 4 - 1"	2 - 1/2", 2 - 3/4"	24
5SDB-75/100-FB	FB, Flush	3 - 3/4", 3 - 1"	3 - 1/2", 2 - 3/4"	24
5SDB-100	-	8 - 1"	2 - 1/2", 2 - 3/4"	24
5SDB-100-FB	FB, Flush	6 - 1"	3 - 1/2", 2 - 3/4"	24
5SDB-125	-	6 - 1-1/4"	2 - 1/2", 2 - 3/4"	24
5SDB-MKO	-	2 - 1/2", 10 - MKO	2 - 1/2", 2 - MKO	24
5SDB-MKO-PT	With 7" Pigtail	2 - 1/2", 10 - MKO	2 - 1/2", 2 - MKO	24
5SDB-MKO-FB	FB, Flush	2 - 1/2", 7 - MKO	3 - 1/2", 2 - MKO	24
5SDB-MKO-MS*	MS, Self-Gripping + Box Support Clip	2 - 1/2", 7 - MKO	3 - 1/2", 2 - MKO	24
5SDB-50/75-EXT	-	8-1/2", 4 - 3/4"	-	24
5SDB-MKO-EXT	-	2 - 1/2", 10 - MKO	-	24
5SDB-50/75-PT-BSA	Back Support & 10" PT	8 - 1/2", 4 - 3/4"	3 - 3/4"	24
5SDB-50/75-AB-PT-BSA	Back Support, 10" PT and Brkt.	6 - 1/2", 3 - 3/4"	3 - 3/4"	24



Certification:

- File E227970
- Acceptable for use in 2-hour Fire Rated Walls, Visit www.ul.com

