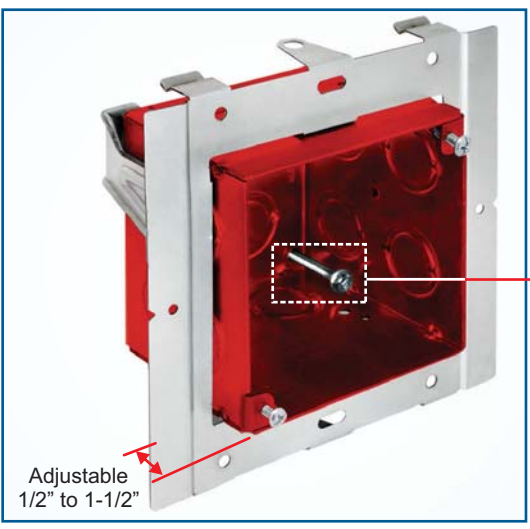




READY TO INSTALL

UMIAB-35 FEATURES



TRI-COMBO HEX SCREW



INTERNAL ADJUSTMENT

Internal adjustment screws allow the box to be adjusted before and after installation



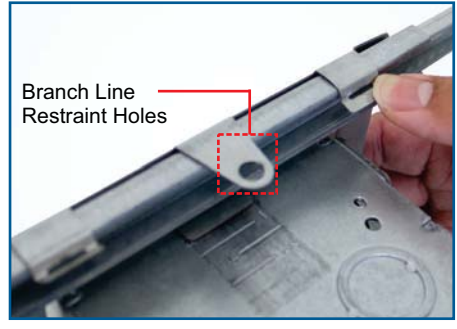
DEPTH MARKING

Engraved depth stamp on box allows for depth measurement without requiring additional measuring tools



ADJUSTABILITY RANGE

1/2" to 1-1/2"



ADAPTER TO BRACKET LATCH

Fold tabs to secure adapter on SSB Brackets

DIRECT-TO, BETWEEN STUDS & OVERHEAD APPLICATIONS

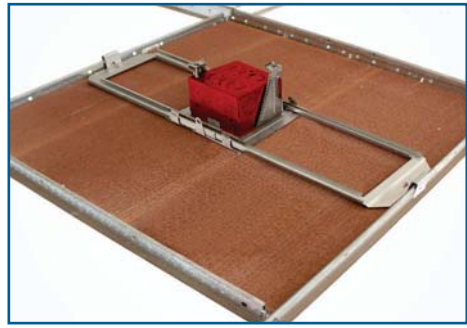


DIRECT TO STUD



BETWEEN STUDS

FA-UMIAB-35 Installed on SSB-T5



DROP CEILING APPLICATION

FA-UMIAB-35 Installed on SSB-TBAR