



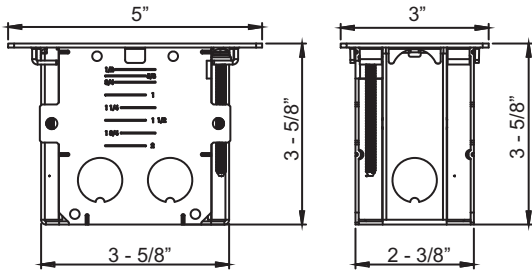
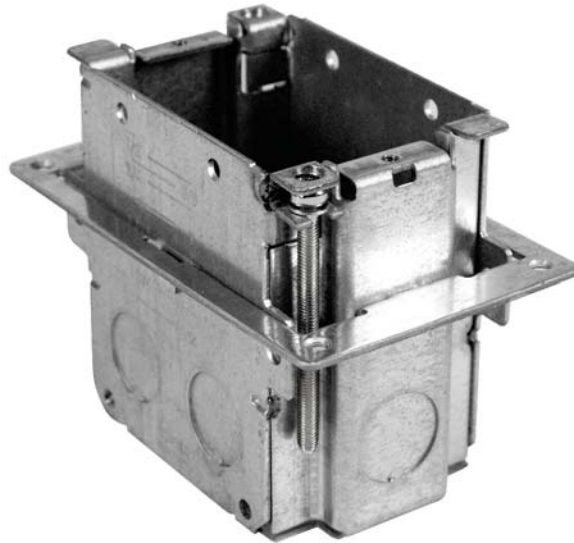
ADJUSTABLE 1-GANG FLOOR BOX

Cat. No.	Side K.O.'S	Bottom K.O.'S	Cu. In.	Std. Pkg
1GAB	(6) - 1/2"	(2) - 1/2"	23.5	10

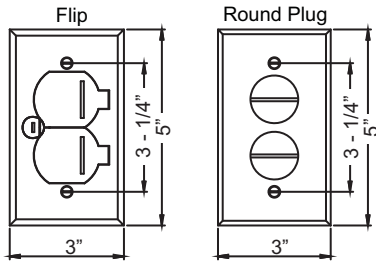
PRODUCT FEATURES

- ▶ Adjustable from 0" - 2"
- ▶ Can be Side Mounted
- ▶ For Concrete/Floor application, see Section W (314.28 (B))

PATENTED

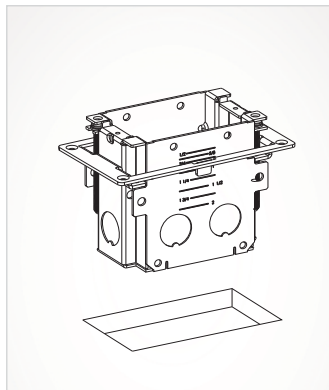


1-Gang Adjustable Box

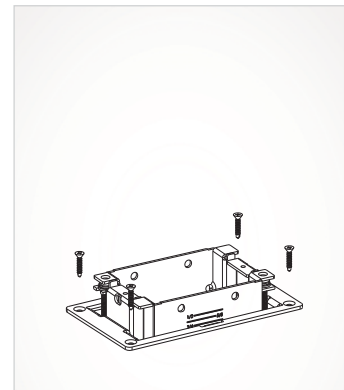


1-Gang Cover

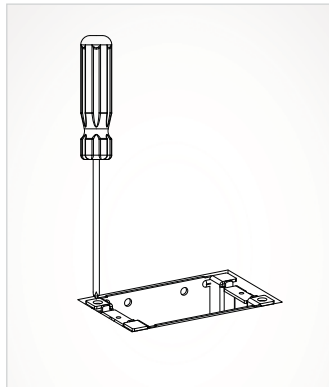
INSTALLATION



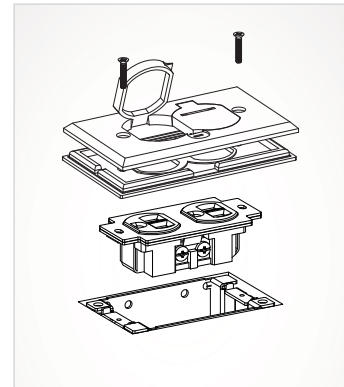
Step 1: Cut hole in sub-floor or finished floor.



Step 2: Mount floor box to floor with 4 wood screws.



Step 3: Adjust floor box flush with finished floor.



Step 4: Wire receptacle assembly and install cover and gasket using provided screws.

COMPATIBLE COVERS: Page G1



FLB-D-C-BR



FLB-R1G-C-SS



FLB-D-C-SS



FLB-R1G-C-BR