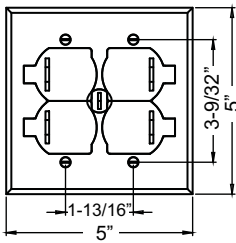


ADJUSTABLE 2-GANG FLOOR BOX

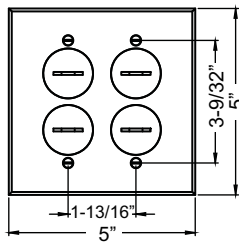
Cat. No.	Side K.O.'S	Bottom K.O.'S	Cu. In.	Std. Pkg.
FLB-4SEDB-2G	(2) - 1/2", (2) - 3/4" & (4) 1/2" & 3/4" CKO	(2) - 1/2" & (2) - 3/4"	46.0	10

PRODUCT FEATURES

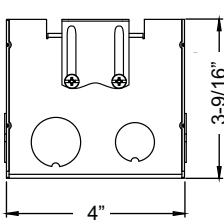
- ▶ Adjustable from 0" - 1"
- ▶ Recessed device mounting tabs allow for cover to be flush with box
- ▶ Removable partition included
- ▶ For Concrete/Floor application, see Section W (314.28 (B))



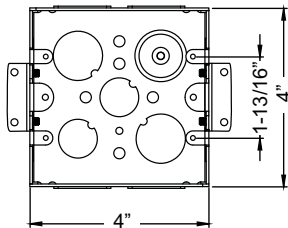
Flip



Round Plug



2-Gang Adjustable Box



COMPATIBLE COVERS: Page G3



FLB-R2G-DL-C-BR



FLB-R2G-DL-C-SS



FLB-R2G-DD-C-BR



FLB-R2G-DD-C-SS



FLB-DL-C-BR



FLB-DL-C-SS

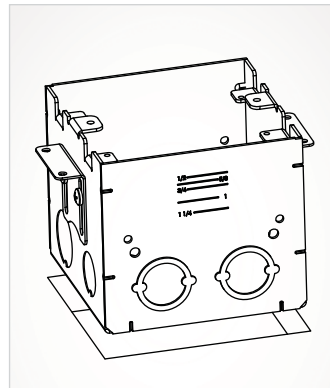


FLB-DD-C-BR

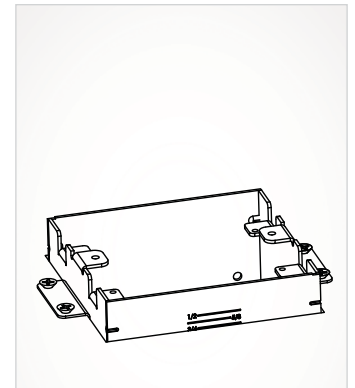


FLB-DD-C-SS

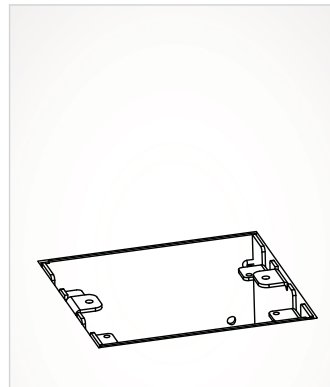
INSTALLATION



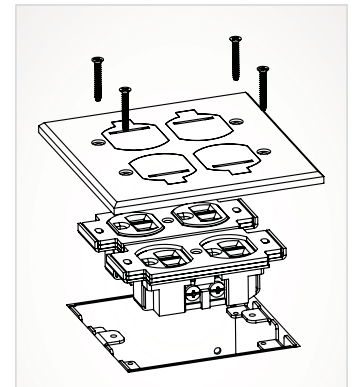
Step 1: Cut hole in sub-floor. Adjust floor box to finished floor height.



Step 2: Mount floor box to floor with 4 wood screws.



Step 3: Install finished floor.



Step 4: Wire receptacle assembly and install cover and gasket using provided screws.