

F24 | Stud Wall



TELESCOPING SUPPORT BRACKET

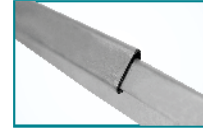
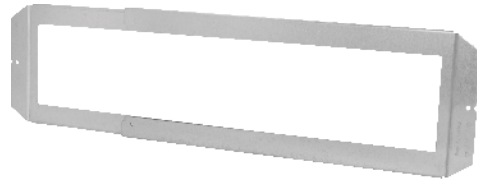
PRODUCT FEATURES

- ▶ Telescoping bracket adjusts from 16" to 27"
- ▶ Accepts 4", 4-11/16" square, and up to 10-Gang boxes and rings
- ▶ Install between wall studs or overhead between hard lid ceiling joists
- ▶ Easily adjust position of boxes in field
- ▶ Packaged preassembled and ready to use
- ▶ Markings on bracket allow for quick and consistent adjustability
- ▶ Rigidity eliminates need for far-side back support

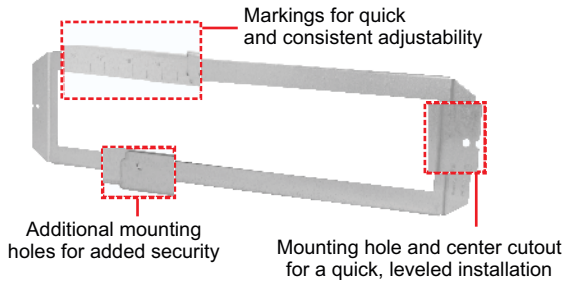
SHIPS PREASSEMBLED

Video Available On Our Website!

Cat. No.	Description	Std. Pkg.
TSB	Telescoping Support Bracket adjusts from 16" to 27" for mounting 4", 4-11/16" square and up to 10-gang boxes between studs	25



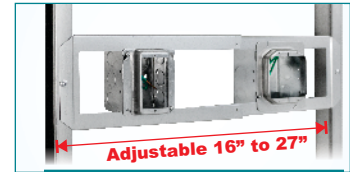
Extra bend ensures a sturdy design



Markings for quick and consistent adjustability

Additional mounting holes for added security

Mounting hole and center cutout for a quick, leveled installation



Adjustable 16" to 27"



Fits 4", 4-11/16" square, and up to 10-Gang boxes

FLAT BRACKET FAMILY

PRODUCT FEATURES

- ▶ Compatible with 4", 4-11/16" and 5" sq. boxes
- ▶ Allows 5" boxes to use 4" rings, reducing material costs
- ▶ 4" rings can be mounted on their own for low voltage applications using 8/32 screws
- ▶ Low profile design accepts up to 2" fittings
- ▶ Additional width and slotted mounting holes allow for extra flexibility on studs
- ▶ **KB-18, KFB-318, KFB-418** contain up to 6" Back Support for additional stability
- ▶ **KB-18** contains optional Stud Supports that can be folded out when installed between studs
- ▶ Compatible with Orbit's UL Adjustable Rings
- ▶ See P13-14 for more info on the Flat Bracket Family

Cat. No.	Description	Std. Pkg.
FB-3	Flat Box Mounting Bracket 3-Box for 16" stud	25
FB-4	Flat Box Mounting Bracket 4-Box for 24" stud	25
KB-18 <small>NEW</small>	Kick Bracket 1-Box Position 18" height box center w/CS-CJ6	10
KFB-318	Kick Bracket 3-Positions with 18" height box center kick stand for 16" stud w/CS-CJ6	10
KFB-418	Kick Bracket 4-Positions with 18" height box center kick stand for 24" stud	10

ORBIT INDUSTRIES EXCLUSIVE

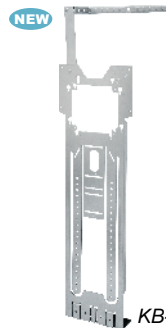
Compatible with 5" Sq. Boxes!



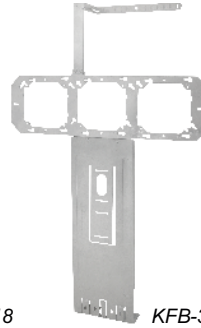
FB-3



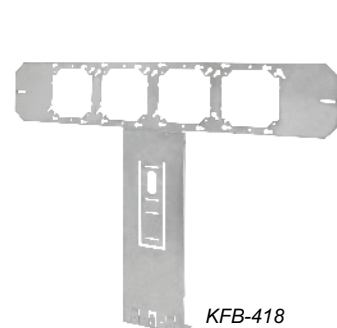
FB-4



KB-18

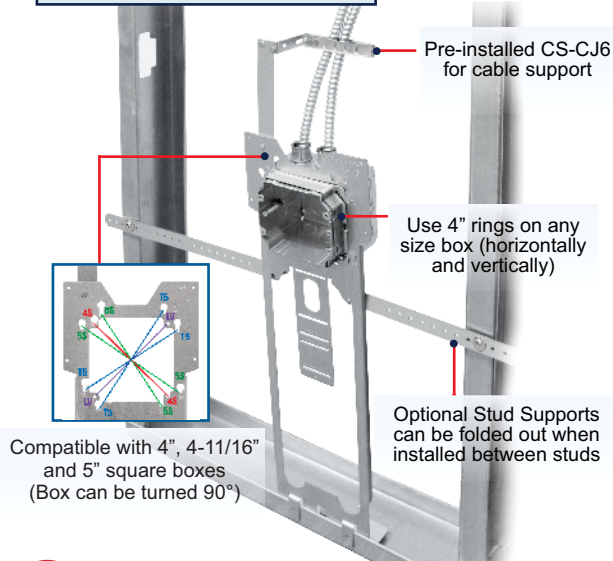


KFB-318



KFB-418

KB-18 SHOWN INSTALLED

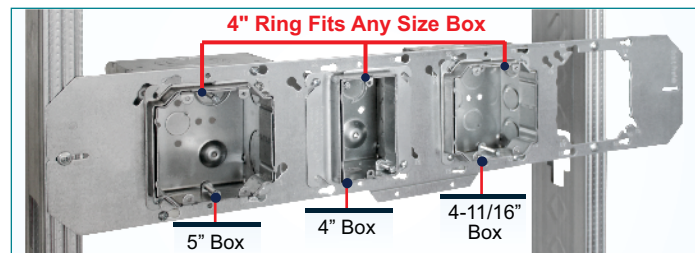


Pre-installed CS-CJ6 for cable support

Use 4" rings on any size box (horizontally and vertically)

Optional Stud Supports can be folded out when installed between studs

Compatible with 4", 4-11/16" and 5" square boxes (Box can be turned 90°)



4" Ring Fits Any Size Box

5" Box

4" Box

4-11/16" Box

The Flat Bracket can be positioned to accommodate irregular stud spacings. FB-4 shown installed on 19" Stud Bay.