



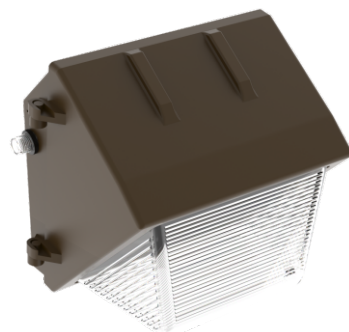
# SUBMITTAL SHEETS

## LED LIGHTING - I

## AWC-LWP4 Series - 30W

### Descriptions

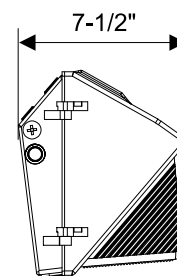
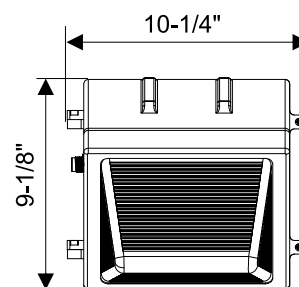
The AWC-LWP4 LED WALL PACK Lights - Adjustable CCT & Wattage version can help reduce the SKU and are ideal for commercial areas such as retail centers, loading docks, or warehouses. With keeping the same classic looking, customers now can easily adjust the CCT and Wattage in field through built-in Knobs inside the fixture. Also with factory pre-installed photocell, the same fixture can meet different requirements. UL listed for Wet Locations. DLC 5.1 Listed.



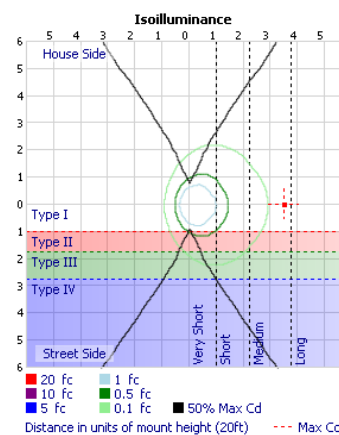
### General Specifications

	Spec	AWC-LWP4-30W-P
Electrical	Input Voltage	120~277V
	Wattage Range	15W/20W/25W/30W
	Power Factor	> 0.9
Light Output	Lumens Range	1935lm/2580lm/3225lm/3824lm
	Efficacy	129 lm/W
	CRI	70+
	Color Temp. Range	3000K/4000K/5000K/5700K
	BUG	B1-U3-G2
	Distribution Type	TYPE IV
Physical	Equivalent	70W/100W/150W
	Housing	ADC12 Die Cast Aluminum
	Finish	UV Resistant Bronze Powder Coat Finish
	Lens Material	Prismatic borosilicate molded lens with weatherproof gasket
	Ambient Operating Temp	-40°C / -40°F to 40°C / 104°F
Other	Mount	Wall Mount
	Certification	cULus E335594; DLC 5.1

### Dimensions



### Photometrics



- ▶ Lifespan: **50,000 hrs**
- ▶ Beam Angle: **118°**
- ▶ Warranty: **5 Year Limited Warranty**
- ▶ Dimmable: **0-10V**

- ▶ **UL listed for Wet Location**
- ▶ **Features:**
  - Adjustable Color Temperature
  - Adjustable Wattage
  - Pre-installed Photocell



Item No.	Description	Std. Pkg.
AWC-LWP4-30W-P	LED ADJUSTABLE WATTAGE & CCT WALLPACK 15W~30W 120V~277V BRONZE	4



## AWC-LWP4 Series - 80W

### Descriptions

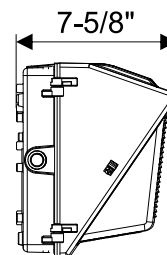
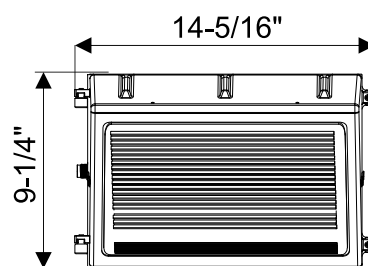
The AWC-LWP4 LED WALL PACK Lights - Adjustable CCT & Wattage version can help reduce the SKU and are ideal for commercial areas such as retail centers, loading docks, or warehouses. With keeping the same classic looking, customers now can easily adjust the CCT and Wattage in field through built-in Knobs inside the fixture. Also with factory pre-installed photocell, the same fixture can meet different requirements. UL listed for Wet Locations. DLC 5.1 Listed.

### General Specifications

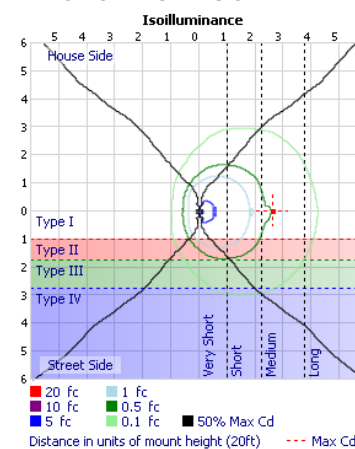
	Spec	AWC-LWP4-80W-P
Electrical	Input Voltage	120~277V
	Wattage Range	20W/40W/60W/80W
	Power Factor	> 0.9
Light Output	Lumens Range	2700lm/5400lm/8100lm/10502lm
	Efficacy	135 lm/W
	CRI	70+
	Color Temp. Range	3000K/4000K/5000K/5700K
	BUG	B3-U4-G4
	Distribution Type	TYPE IV
Physical	Equivalent	70W/150W/250W
	Housing	ADC12 Die Cast Aluminum
	Finish	UV Resistant Bronze Powder Coat Finish
	Lens Material	Prismatic borosilicate molded lens with weatherproof gasket
	Ambient Operating Temp	-40°C / -40°F to 40°C / 104°F
Other	Mount	Wall Mount
	Certification	cULus E335594; DLC 5.1



### Dimensions



### Photometrics



- ▶ Lifespan: **50,000 hrs**
- ▶ Beam Angle: **116°**
- ▶ Warranty: **5 Year Limited Warranty**
- ▶ Dimmable: **0-10V**

- ▶ **UL listed for Wet Location**
- ▶ **Features:**
  - Adjustable Color Temperature
  - Adjustable Wattage
  - Pre-installed Photocell



Item No.	Description	Std. Pkg.
AWC-LWP4-80W-P	LED ADJUSTABLE WATTAGE & CCT WALLPACK 20W~80W 120V~277V BRONZE	1



## AWC-LFL7 Series - 50W

### Descriptions

The AWC-LFL7 LED Flood Lights - Adjustable CCT & Wattage version can help reduce the SKU and are ideal for outdoor applications such as exterior building lighting, sign lighting, loading docks, or warehouses. Compared to traditional flood lighting, the slim design of these Ultra-Bright LED Flood Lights makes them lighter in weight, easy to install, and a very attractive upgrade to traditional flood lighting. CCT and Wattage can be easily adjusted in field through built-in Knob and DIP switch. UL listed for Wet Locations. DLC 5.1 Premium Listed.

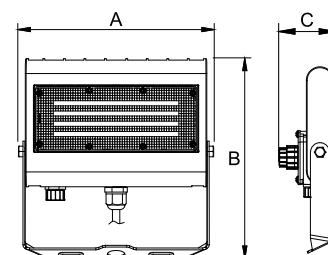


### General Specifications

	Spec	AWC-LFL7-50W
Electrical	Input Voltage	120~277V
	Wattage Range	15W/20W/30W/50W
	Power Factor	> 0.9
Light Output	Lumens Range	1920lm/2560lm/3840lm/6403lm
	Efficacy	128 lm/W
	CRI	70+
	Color Temp. Range	3000K/4000K/5000K/5700K
	BUG	B3-U2-G1
	NEMA Type	7H x 6V Beam Spread
Physical	Equivalent	70W/100W/175W
	Housing	ADC12 Die Cast Aluminum
	Finish	UV Resistant Bronze Powder Coat Finish
	Lens Material	High Light Transmittance Polycarbonate Lens with Weatherproof Gasket
	Ambient Operating Temp	-40°C / -40°F to 40°C / 104°F
Other	Mount	KN: 1/2" Adjustable Knuckle Mount T: Trunnion Mount
	Certification	cULus E335594; DLC 5.1 Premium

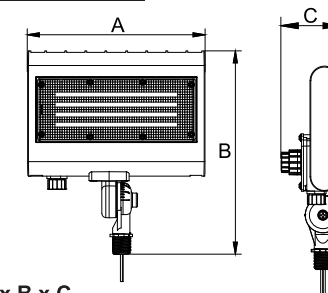
### Dimensions

#### 50W Trunnion



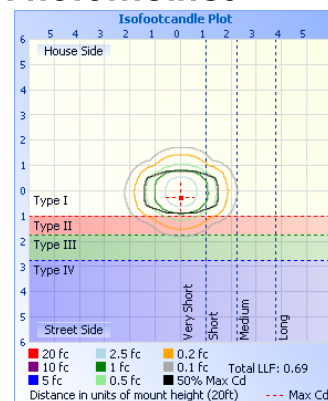
A x B x C  
 50W-T: 9-3/8" x 9-3/4" x 2-7/8"

#### 50W Knuckle



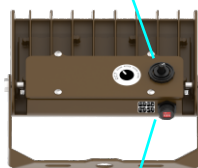
A x B x C  
 50W-KN: 8-3/4" x 10" x 2-7/8"

### Photometrics



- ▶ Lifespan: **50,000 hrs**
- ▶ Beam Angle: **108° x 80°**
- ▶ Warranty: **5 Year Limited Warranty**
- ▶ Dimmable: **0-10V/PWM/VR**
- ▶ **UL listed for Wet Location**
- ▶ **Features:**
  - Adjustable Color Temperature
  - Adjustable Wattage

Adjustable Color Temperature (CCT) Knob (cover included)



Adjustable Wattage DIP switch (cover included)



Item No.	Description	Std. Pkg.
AWC-LFL7-50W-KN	LED ADJUSTABLE WATT/CCT FLOOD LIGHT 15W~50W 120~277V KN - Bronze	6
AWC-LFL7-50W-T	LED ADJUSTABLE WATT/CCT FLOOD LIGHT 15W~50W 120~277V T - Bronze	6



## LAL1-50W (Adjustable Wattage Model)

### Descriptions

The LAL1-50W-P Area Light - Adjustable Wattage version from Orbit Industries can help reduce the stock SKU. It is a powerful LED area light for everyday outdoor uses. Ideal for parking areas, outdoor recreational areas, or warehouses, its Die Cast design and low power consumption provide long reliable service. Wattage can be easily adjusted in field through built-in DIP switch. Twist-Lock Photocell installed. UL listed for Wet Locations. DLC 5.1 Premium Listed.

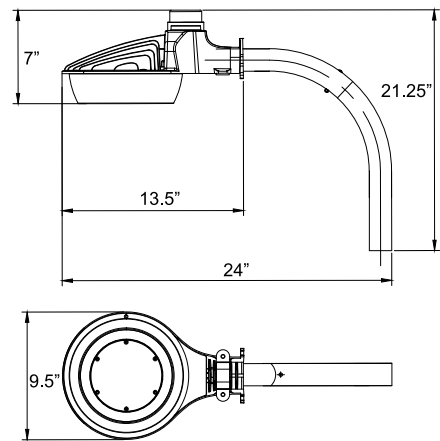


Adjustable Wattage DIP switch

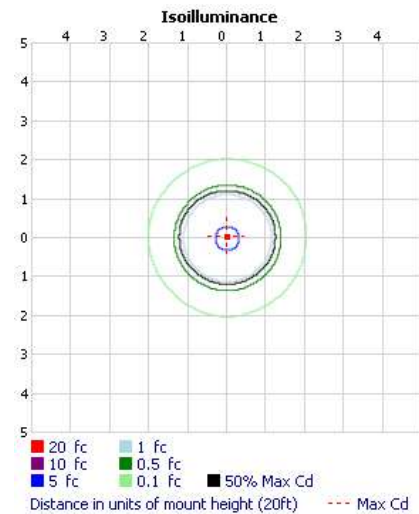
### General Specifications

	Spec	LAL1-50W-P-CW
Electrical	Input Voltage	120~277V
	Wattage Range	20W/30W/40W/50W
	Power Factor	> 0.9
Light Output	Lumens Range	2760lm/4140lm/5520lm/6435lm
	Efficacy	138 lm/W
	CRI	70+
	Color Temp.	5000K
	BUG	B2-U3-G1
	Distribution Type	TYPE VS
Physical	Equivalent	Up to 175W
	Housing	ADC12 Die Cast Aluminum
	Finish	UV Resistant Bronze Powder Coat Finish
	Lens Material	Polycarbonate Lens with Weatherproof Gasket
	Ambient Operating Temp	-40°C / -40°F to 40°C / 104°F
Other	Mount	Wall Mount, 90° Extension Arm Included
	Certification	cULus E335594; DLC 5.1 Premium

### Dimensions



### Photometrics



- ▶ Lifespan: **50,000 hrs**
- ▶ Beam Angle: **103°**
- ▶ Warranty: **5 Year Limited Warranty**
- ▶ Dimmable: **0-10V**
- ▶ **UL listed for Wet Location**
- ▶ Twist-Lock Photocell Included
- ▶ **Features:**
  - Adjustable Wattage: 20W/30W/40W/50W



Item No.	Description	Std. Pkg.
LAL1-50W-P-CW	LED AREA LIGHT 20W~50W ADJ. 120~277V 5000K Cool White W/ Photocell -Bronze	2



## LAL1-80W

### Descriptions

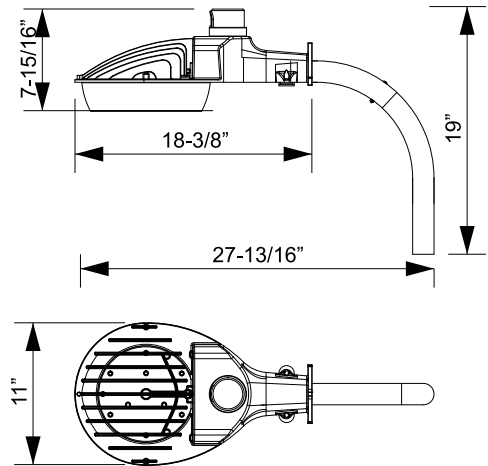
The LAL1-80W-P Area Light from Orbit Industries is a powerful LED area light for everyday outdoor uses. Ideal for parking areas, outdoor recreational areas, or warehouses, its Die Cast design and low power consumption provide long reliable service. UL listed for Wet Locations. DLC Listed.

### General Specifications

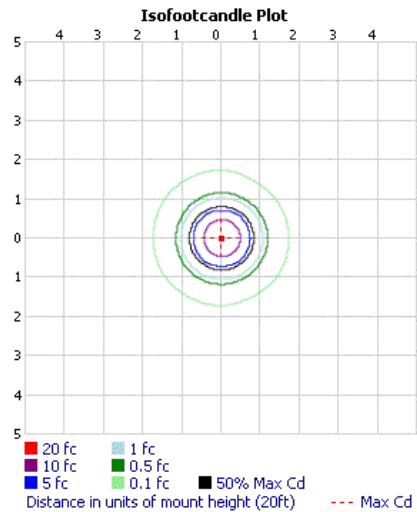
	Spec	LAL1-80W-P-CW
Electrical	Input Voltage	120~277V
	Input Power	80W
	Power Factor	> 0.9
Light Output	Total Lumens	9544 lm
	Efficacy	122 lm/W
	CRI	70+
	Color Temp.	5000K
	BUG	B3-U2-G1
	Distribution Type	TYPE VS
Physical	Equivalent	250W
	Housing	ADC12 Die Cast Aluminum
	Finish	UV Resistant Bronze Powder Coat Finish
	Lens Material	Polycarbonate Lens with Weatherproof Gasket
Other	Ambient Operating Temp	-20°C / -4°F to 40°C / 104°F
	Mount	Wall Mount, 90° Extension Arm Included
Other	Certification	cULus E335594; DLC



### Dimensions



### Photometrics



- ▶ LED Brand: **Philips Lumileds**
- ▶ Lifespan: **50,000 hrs**
- ▶ Warranty: **5 Year Limited Warranty**
- ▶ **UL listed for Wet Location**
- ▶ Beam Angle: **78°**
- ▶ Twist-Lock Photocell Included
- ▶ Dimmable to 10%



Item No.	Description	Std. Pkg.
LAL1-80W-P-CW	LED AREA LIGHT 80W 120~277V 5000K Cool White W/ Photocell -Bronze	1



## LFL3-10W

### Descriptions

The LFL3 is a powerful LED Flood Light ideal for outdoor applications such as exterior building lighting, pathways, and sign lighting. Solid-State Lighting Technology and Built-In Heatsinks provide long, reliable service. UL listed for Wet Locations. DLC Qualified.

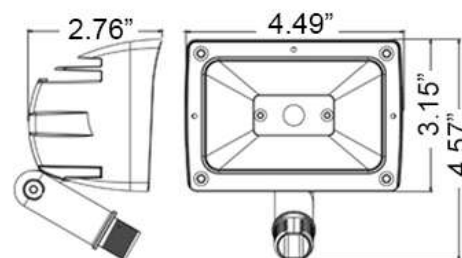


LFL3-10W-CW-KN

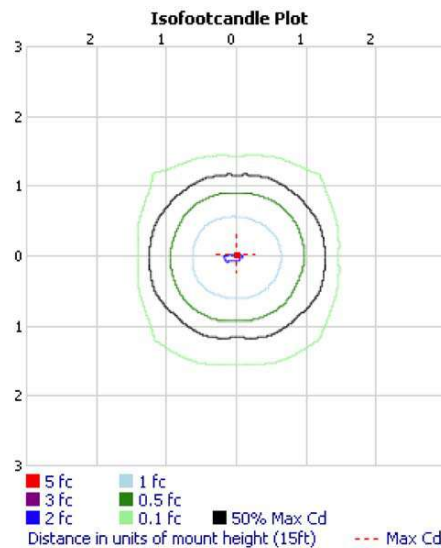
### General Specifications

	Spec	LFL3-10W-CW-KN
Electrical	Input Voltage	120~277V
	Input Power	10W
Light Output	Total Lumens	984 lm
	Efficacy	86 lm/W
	CRI	80+
	Color Temp.	5000K
	Equivalent	50W
Physical	Housing	ADC12 Die Cast Aluminum
	Finish	UV Resistant Bronze Powder Coat Finish
	Lens Material	Tempered Glass Lens with Weatherproof Gasket
	Min Operating Temp	-30°C / -22°F
Other	Mount	1/2" Adjustable Knuckle Mount
Other	Certification	cULus E335594

### Dimensions



### Photometrics



- ▶ LED Brand: **CREE**
- ▶ Lifespan: **50,000 hrs**
- ▶ Warranty: **5 Year Limited Warranty**
- ▶ **UL listed for Wet Location**



Item No.	Description	Std. Pkg.
LFL3-10W-CW-KN	PREMIUM LED FLOOD LIGHT 10W 120~277V 5000K CW KNUCKLE MOUNT- BRONZE	6



## LFL7-15W

### Descriptions

The LFL7 is a powerful LED Flood Light ideal for outdoor applications such as exterior building lighting, sign lighting, loading docks, or warehouses. Compared to traditional flood lighting, the slim design of these Ultra-Bright LED Flood Lights makes them lighter in weight, easy to install, and a very attractive upgrade to traditional flood lighting. UL listed for Wet Locations. DLC Premium Listed.

### General Specifications

	Spec	LFL7-15W-CW	LFL7-15W-WW
Electrical	Input Voltage	120~277V	
	Input Power	15W	
	Power Factor	> 0.9	
Light Output	Total Lumens	1751 lm	1675 lm
	Efficacy	121 lm/W	113 lm/W
	CRI	70+	70+
	Color Temp.	5000K	3000K
	BUG	B1-U1-G0	B1-U1-G0
	NEMA Type	7H x 6V Beam Spread	
	Equivalent	50W	50W
Physical	Housing	ADC12 Die Cast Aluminum	
	Finish	UV Resistant Bronze Powder Coat Finish	
	Lens Material	High Light Transmittance Polycarbonate Lens with Weatherproof Gasket	
	Ambient Operating Temp	-40°C / -40°F to 40°C / 104°F	
	Mount	Trunnion, 1/2" Adjustable Knuckle Mount	
	Net Weight	0.48 KG (T); 0.39 KG (KN)	
Other	Certification	cULus E335594; DLC Premium	

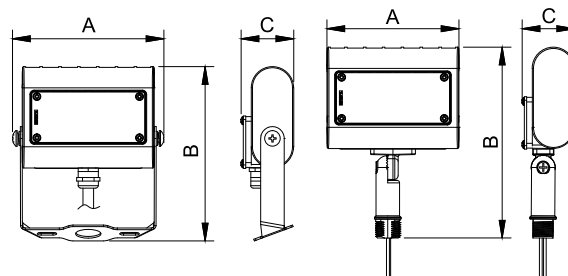


LFL7-15W-CW-T  
LFL7-15W-WW-T



LFL7-15W-CW-KN  
LFL7-15W-WW-KN

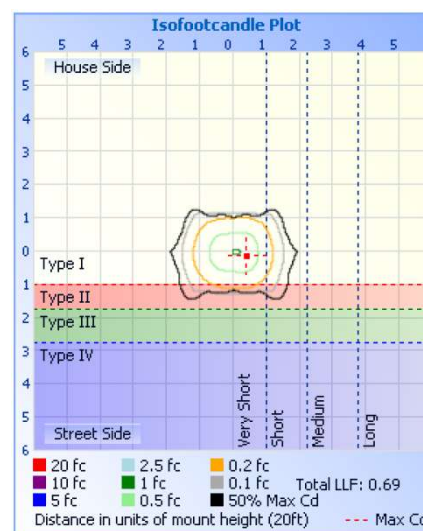
### Dimensions



T- A x B x C:  
5" x 5-13/16" x 1-3/4"

KN- A x B x C:  
4-2/5" x 6-3/8" x 1-3/4"

### Photometrics



- ▶ LED Brand: **Philips Lumileds**
- ▶ Lifespan: **50,000 hrs**
- ▶ Warranty: **5 Year Limited Warranty**
- ▶ **UL listed for Wet Location**
- ▶ Beam Angle: **120° x 90°**



PHILIPS  
LUMILEDS



Item No.	Description	Std. Pkg.
LFL7-15W-CW-T	SLIM LED FLOOD LIGHT W/TRUNNION 15W 120~277V 5000K CW - BRONZE	18
LFL7-15W-CW-KN	SLIM LED FLOOD LIGHT W/KNUCKLE 15W 120~277V 5000K CW - BRONZE	18
LFL7-15W-WW-T	SLIM LED FLOOD LIGHT W/TRUNNION 15W 120~277V 3000K WW - BRONZE	18
LFL7-15W-WW-KN	SLIM LED FLOOD LIGHT W/KNUCKLE 15W 120~277V 3000K WW - BRONZE	18





## LFL7-30W

### Descriptions

The LFL7 is a powerful LED Flood Light ideal for outdoor applications such as exterior building lighting, sign lighting, loading docks, or warehouses. Compared to traditional flood lighting, the slim design of these Ultra-Bright LED Flood Lights makes them lighter in weight, easy to install, and a very attractive upgrade to traditional flood lighting. UL listed for Wet Locations. DLC Premium Listed.



LFL7-30W-CW-T  
LFL7-30W-WW-T

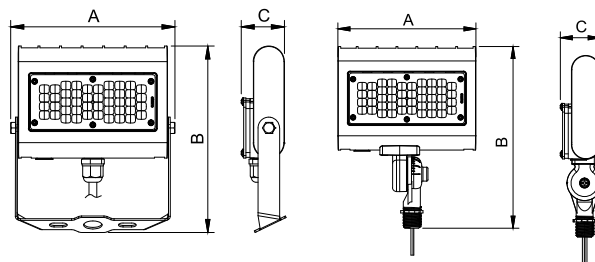


LFL7-30W-CW-KN  
LFL7-30W-WW-KN

### General Specifications

	Spec	LFL7-30W-CW	LFL7-30W-WW
Electrical	Input Voltage	120~277V	
	Input Power	30W	
	Power Factor	> 0.9	
Light Output	Total Lumens	3976 lm	3837 lm
	Efficacy	130 lm/W	126 lm/W
	CRI	70+	70+
	Color Temp.	5000K	3000K
	BUG	B2-U2-G1	B2-U2-G1
	NEMA Type	7H x 6V Beam Spread	
Physical	Equivalent	100W	100W
	Housing	ADC12 Die Cast Aluminum	
	Finish	UV Resistant Bronze Powder Coat Finish	
	Lens Material	High Light Transmittance Polycarbonate Lens with Weatherproof Gasket	
Physical	Ambient Operating Temp	-40°C / -40°F to 40°C / 104°F	
	Mount	Trunnion, 1/2" Adjustable Knuckle Mount	
	Net Weight	1.34 KG (T); 1.34 KG (KN)	
Other	Certification	cULus E335594; DLC Premium	

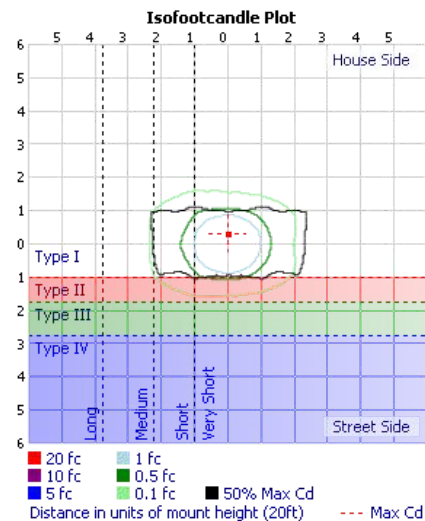
### Dimensions



T- A x B x C:  
7-1/2" x 8-1/2" x 2"

KN- A x B x C:  
6-7/8" x 9" x 2"

### Photometrics



- ▶ LED Brand: **Philips Lumileds**
- ▶ Lifespan: **50,000 hrs**
- ▶ Warranty: **5 Year Limited Warranty**
- ▶ **UL listed for Wet Location**
- ▶ Beam Angle: **120° x 90°**



PHILIPS  
LUMILEDS



Item No.	Description	Std. Pkg.
LFL7-30W-CW-T	SLIM LED FLOOD LIGHT W/TRUNNION 30W 120~277V 5000K CW - BRONZE	10
LFL7-30W-CW-KN	SLIM LED FLOOD LIGHT W/KNUCKLE 30W 120~277V 5000K CW - BRONZE	10
LFL7-30W-WW-T	SLIM LED FLOOD LIGHT W/TRUNNION 30W 120~277V 3000K WW - BRONZE	10
LFL7-30W-WW-KN	SLIM LED FLOOD LIGHT W/KNUCKLE 30W 120~277V 3000K WW - BRONZE	10



# LFL7-50W

## Descriptions

The LFL7 is a powerful LED Flood Light ideal for outdoor applications such as exterior building lighting, sign lighting, loading docks, or warehouses. Compared to traditional flood lighting, the slim design of these Ultra-Bright LED Flood Lights makes them lighter in weight, easy to install, and a very attractive upgrade to traditional flood lighting. UL listed for Wet Locations. DLC Premium Listed.



LFL7-50W-CW-T

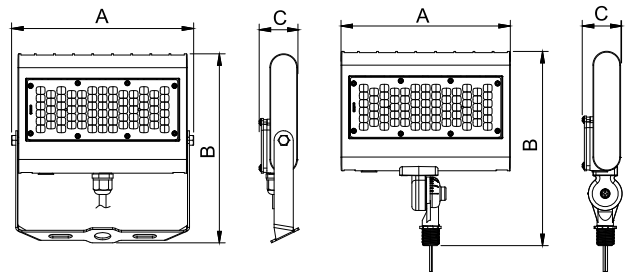


LFL7-50W-CW-KN

## General Specifications

	Spec	LFL7-50W-CW
Electrical	Input Voltage	120~277V
	Input Power	50W
	Power Factor	> 0.9
Light Output	Total Lumens	6652 lm
	Efficacy	133 lm/W
	CRI	70+
	Color Temp.	5000K
	BUG	B3-U2-G2
Physical	NEMA Type	7H x 6V Beam Spread
	Equivalent	175W
	Housing	ADC12 Die Cast Aluminum
	Finish	UV Resistant Bronze Powder Coat Finish
	Lens Material	High Light Transmittance Polycarbonate Lens with Weatherproof Gasket
	Ambient Operating Temp	-40°C / -40°F to 40°C / 104°F
Other	Mount	Trunnion, 1/2" Adjustable Knuckle Mount
	Net Weight	1.8 KG (T); 1.8 KG (KN)
Other	Certification	cULus E335594; DLC Premium

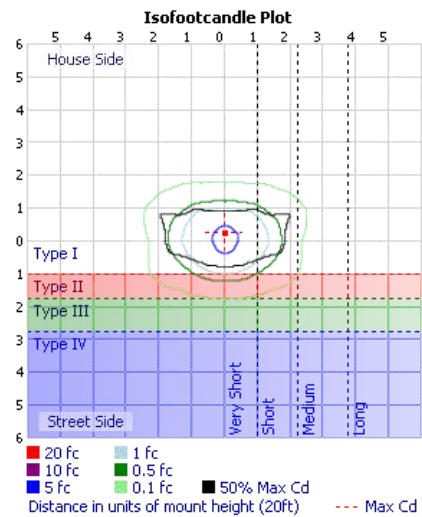
## Dimensions



T- A x B x C:  
 9-3/8" x 9-3/4" x 2"

KN- A x B x C:  
 8-11/16" x 10" x 2"

## Photometrics



- ▶ LED Brand: **Philips Lumileds**
- ▶ Lifespan: **50,000 hrs**
- ▶ Warranty: **5 Year Limited Warranty**
- ▶ **UL listed for Wet Location**
- ▶ Beam Angle: **120° x 90°**



Item No.	Description	Std. Pkg.
LFL7-50W-CW-T	SLIM LED FLOOD LIGHT W/TRUNNION 50W 120~277V 5000K CW - BRONZE	6
LFL7-50W-CW-KN	SLIM LED FLOOD LIGHT W/KNUCKLE 50W 120~277V 5000K CW - BRONZE	6



## LFL10 Series - 80W

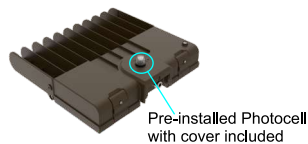
### Descriptions

The LFL10 Series are powerful LED Area Lights ideal for outdoor applications such as exterior building lighting, roadways, loading docks, or parking areas. Compared to traditional area lighting, the slim design of these Ultra-Bright LED Area Lights makes them lighter in weight, easier to install. Unlike other Area Lights, the LFL10 can be mounted and wired without having to access inside the fixture making the installation process even faster. Pre-installed Photocell on all models and Adjustable Wattage on selected models. UL listed for Wet Locations. DLC 5.1 Premium Listed.

### General Specifications

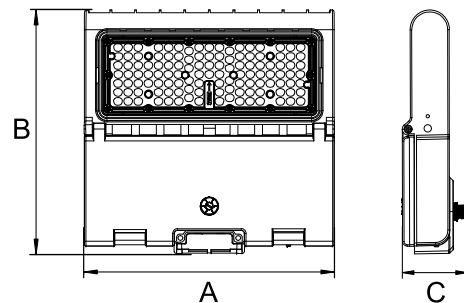
	Spec	LFL10-80W-P
Electrical	Input Voltage	120~277V
	Wattage	80W
	Power Factor	> 0.9
Light Output	Lumens	11000 lm
	Efficacy	142 lm/W
	CRI	70+
	Color Temp.	5000K
	BUG	B2-U0-G2
	Distribution Type	TYPE III
	Equivalent	250W
Physical	Housing	ADC12 Die Cast Aluminum
	Finish	UV Resistant Bronze Powder Coat Finish
	Lens Material	High Light Transmittance Polycarbonate Lens
	Ambient Operating Temp	-40°C / -40°F to 40°C / 104°F
	Mount (Sold Separately)	Slip Fitter, Trunnion, Yoke, Post Mount
Other	Certification	cULus E335594; DLC 5.1 Premium

- ▶ Lifespan: **50,000 hrs**
- ▶ Beam Angle: **90° x 115°**
- ▶ Warranty: **5 Year Limited Warranty**
- ▶ Dimmable: **0-10V/PWM/VR**
- ▶ **UL listed for Wet Location**
- ▶ **Features:**
- Pre-installed Photocell



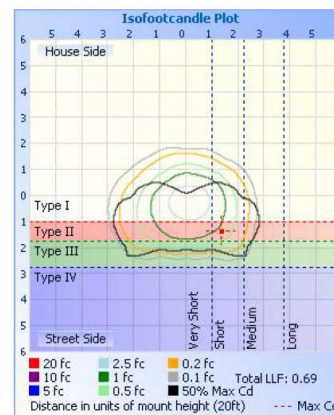
LFL10-SF LFL10-T LFL10-PM LFL10-YK  
 \*Mounting Options (sold separately)

### Dimensions



A x B x C:  
**80W: 12-5/8" x 12-1/4" x 3-1/4"**

### Photometrics



Item No.	Description		Std. Pkg.
LFL10-80W-P	LFL10 LED AREA LIGHT HOUSING ONLY, WITH PHOTOCCELL, 80W 120~277V 5000K-BRONZE		1
LFL10-SF	SLIP FITTER FOR LFL10 SERIES		8
LFL10-T	TRUNNION MOUNT FOR LFL10 SERIES		8
LFL10-PM	POST MOUNT FOR LFL10 SERIES		12
LFL10-YK-80	YOKE MOUNT FOR LFL10 80W-230W		12
SFPMA	SLIP FITTER TO POST MOUNT ADAPTER FOR LFL10 SERIES		12



## LFL10 Series - 100W

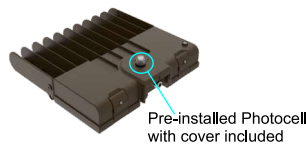
### Descriptions

The LFL10 Series are powerful LED Area Lights ideal for outdoor applications such as exterior building lighting, roadways, loading docks, or parking areas. Compared to traditional area lighting, the slim design of these Ultra-Bright LED Area Lights makes them lighter in weight, easier to install. Unlike other Area Lights, the LFL10 can be mounted and wired without having to access inside the fixture making the installation process even faster. Pre-installed Photocell on all models and Adjustable Wattage on selected models. UL listed for Wet Locations. DLC 5.1 Premium Listed.

### General Specifications

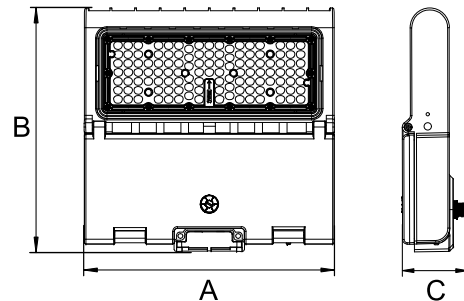
	Spec	LFL10-100W-P
Electrical	Input Voltage	120~277V
	Wattage	100W
	Power Factor	> 0.9
Light Output	Lumens	13125 lm
	Efficacy	137 lm/W
	CRI	70+
	Color Temp.	5000K
	BUG	B3-U0-G2
	Distribution Type	TYPE III
Physical	Equivalent	400W
	Housing	ADC12 Die Cast Aluminum
	Finish	UV Resistant Bronze Powder Coat Finish
	Lens Material	High Light Transmittance Polycarbonate Lens
	Ambient Operating Temp	-40°C / -40°F to 40°C / 104°F
Other	Certification	cULus E335594; DLC 5.1 Premium

- ▶ Lifespan: **50,000 hrs**
- ▶ Beam Angle: **90° x 115°**
- ▶ Warranty: **5 Year Limited Warranty**
- ▶ Dimmable: **0-10V/PWM/VR**
- ▶ **UL listed for Wet Location**
- ▶ **Features:**
- Pre-installed Photocell



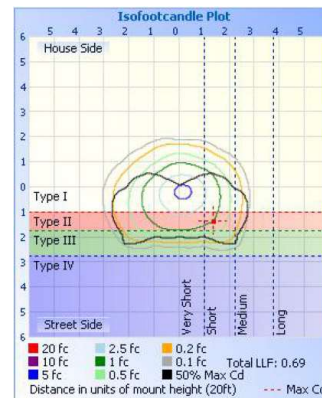
LFL10-SF LFL10-T LFL10-PM LFL10-YK  
 \*Mounting Options (sold separately)

### Dimensions



A x B x C:  
**100W: 12-5/8" x 12-1/4" x 3-1/4"**

### Photometrics



Item No.	Description		Std. Pkg.
LFL10-100W-P	LFL10 LED AREA LIGHT HOUSING ONLY, WITH PHOTOCELL, 100W 120~277V 5000K-BRONZE		1
LFL10-SF	SLIP FITTER FOR LFL10 SERIES		8
LFL10-T	TRUNNION MOUNT FOR LFL10 SERIES		8
LFL10-PM	POST MOUNT FOR LFL10 SERIES		12
LFL10-YK-80	YOKE MOUNT FOR LFL10 80W-230W		12
SFPMA	SLIP FITTER TO POST MOUNT ADAPTER FOR LFL10 SERIES		12



## LFL10 Series - 150W (Adjustable Wattage Model)

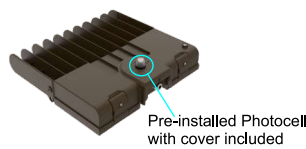
### Descriptions

The LFL10 Series are powerful LED Area Lights ideal for outdoor applications such as exterior building lighting, roadways, loading docks, or parking areas. Compared to traditional area lighting, the slim design of these Ultra-Bright LED Area Lights makes them lighter in weight, easier to install. Unlike other Area Lights, the LFL10 can be mounted and wired without having to access inside the fixture making the installation process even faster. Pre-installed Photocell on all models and Adjustable Wattage on selected models. UL listed for Wet Locations. DLC 5.1 Premium Listed.

### General Specifications

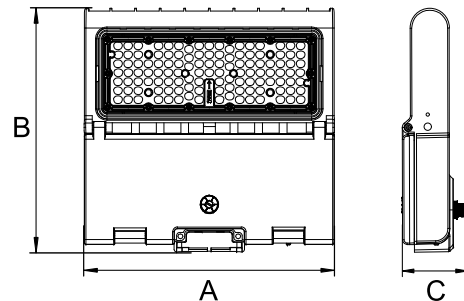
	Spec	LFL10-150W-P
Electrical	Input Voltage	120~277V
	Wattage Range	50W/80W/100W/150W
	Power Factor	> 0.9
Light Output	Lumens Range	6650lm/10640lm/13300lm/20137lm
	Efficacy	133 lm/W
	CRI	70+
	Color Temp.	5000K
	BUG	B3-U0-G3
	Distribution Type	TYPE III
Physical	Equivalent	Up to 750W
	Housing	ADC12 Die Cast Aluminum
	Finish	UV Resistant Bronze Powder Coat Finish
	Lens Material	High Light Transmittance Polycarbonate Lens
	Ambient Operating Temp	-40°C / -40°F to 40°C / 104°F
Other	Mount (Sold Separately)	Slip Fitter, Trunnion, Yoke, Post Mount
Other	Certification	cULus E335594; DLC 5.1 Premium

- ▶ Lifespan: **50,000 hrs**
- ▶ Beam Angle: **135° x 150°**
- ▶ Warranty: **5 Year Limited Warranty**
- ▶ Dimmable: **0-10V/PWM/VR**
- ▶ **UL listed for Wet Location**
- ▶ **Features:**
  - Pre-installed Photocell
  - Adjustable Wattage: 50W/80W/100W/150W



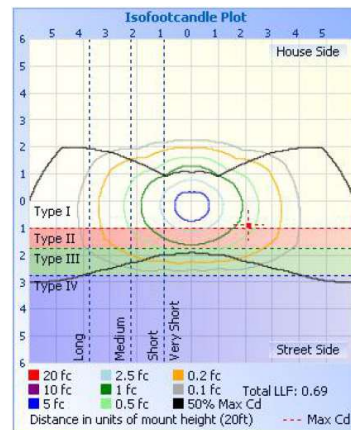
LFL10-SF LFL10-T LFL10-PM LFL10-YK  
 \*Mounting Options (sold separately)

### Dimensions



A x B x C:  
**150W: 12-5/8" x 12-1/4" x 3-1/4"**

### Photometrics



Item No.	Description		Std. Pkg.
LFL10-150W-P	LFL10 LED AREA LIGHT HOUSING ONLY, WITH PHOTOCELL, 50W-150W ADJUSTABLE, 120~277V 5000K-BRONZE		1
LFL10-SF	SLIP FITTER FOR LFL10 SERIES		8
LFL10-T	TRUNNION MOUNT FOR LFL10 SERIES		8
LFL10-PM	POST MOUNT FOR LFL10 SERIES		12
LFL10-YK-80	YOKE MOUNT FOR LFL10 80W-230W		12
SFPMA	SLIP FITTER TO POST MOUNT ADAPTER FOR LFL10 SERIES		12



## LFL10 Series - 230W

### Descriptions

The LFL10 Series are powerful LED Area Lights ideal for outdoor applications such as exterior building lighting, roadways, loading docks, or parking areas. Compared to traditional area lighting, the slim design of these Ultra-Bright LED Area Lights makes them lighter in weight, easier to install. Unlike other Area Lights, the LFL10 can be mounted and wired without having to access inside the fixture making the installation process even faster. Pre-installed PhotoCell on all models and Adjustable Wattage on selected models. UL listed for Wet Locations. DLC 5.1 Premium Listed.

### General Specifications

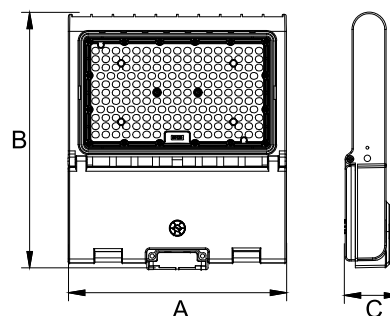
	Spec	LFL10-230W-P
Electrical	Input Voltage	120~277V
	Wattage	230W
	Power Factor	> 0.9
Light Output	Lumens	33457 lm
	Efficacy	143 lm/W
	CRI	70+
	Color Temp.	5000K
	BUG	B4-U0-G4
	Distribution Type	TYPE III
Physical	Equivalent	1000W
	Housing	ADC12 Die Cast Aluminum
	Finish	UV Resistant Bronze Powder Coat Finish
	Lens Material	High Light Transmittance Polycarbonate Lens
	Ambient Operating Temp	-40°C / -40°F to 40°C / 104°F
Other	Certification	cULus E335594; DLC 5.1 Premium

- ▶ Lifespan: **50,000 hrs**
- ▶ Beam Angle: **115° x 145°**
- ▶ Warranty: **5 Year Limited Warranty**
- ▶ Dimmable: **0-10V/PWM/VR**
- ▶ **UL listed for Wet Location**
- ▶ **Features:**
- Pre-installed PhotoCell



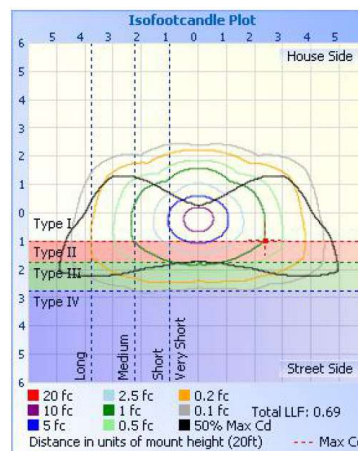
LFL10-SF LFL10-T LFL10-PM LFL10-YK  
 \*Mounting Options (sold separately)

### Dimensions



A x B x C:  
 230W: 12-5/8" x 14-3/4" x 3-1/4"

### Photometrics



Item No.	Description	Std. Pkg.
LFL10-230W-P	LFL10 LED AREA LIGHT HOUSING ONLY, WITH PHOTOCELL, 230W 120~277V 5000K-BRONZE	1
LFL10-SF	SLIP FITTER FOR LFL10 SERIES	8
LFL10-T	TRUNNION MOUNT FOR LFL10 SERIES	8
LFL10-PM	POST MOUNT FOR LFL10 SERIES	12
LFL10-YK-80	YOKE MOUNT FOR LFL10 80W-230W	12
SFPMA	SLIP FITTER TO POST MOUNT ADAPTER FOR LFL10 SERIES	12



## LFL10 Series - 300W (Adjustable Wattage Model)

### Descriptions

The LFL10 Series are powerful LED Area Lights ideal for outdoor applications such as exterior building lighting, roadways, loading docks, or parking areas. Compared to traditional area lighting, the slim design of these Ultra-Bright LED Area Lights makes them lighter in weight, easier to install. Unlike other Area Lights, the LFL10 can be mounted and wired without having to access inside the fixture making the installation process even faster. Pre-installed Photocell on all models and Adjustable Wattage on selected models. UL listed for Wet Locations. DLC 5.1 Premium Listed.

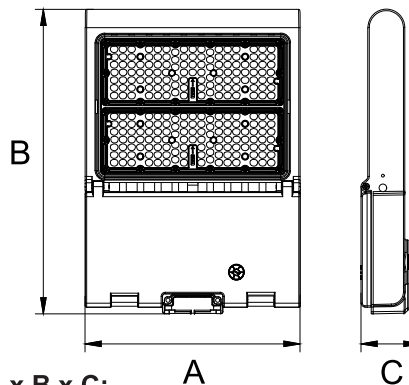
### General Specifications

	Spec	LFL10-300W-P
Electrical	Input Voltage	120~277V
	Wattage Range	150W/200W/240W/300W
	Power Factor	> 0.9
Light Output	Lumens Range	21600lm/28800lm/34560lm/41466lm
	Efficacy	144 lm/W
	CRI	70+
	Color Temp.	5000K
	BUG	B5-U0-G4
	Distribution Type	TYPE III
Physical	Equivalent	Up to 1000W
	Housing	ADC12 Die Cast Aluminum
	Finish	UV Resistant Bronze Powder Coat Finish
	Lens Material	High Light Transmittance Polycarbonate Lens
	Ambient Operating Temp	-40°C / -40°F to 40°C / 104°F
Other	Mount (Sold Separately)	Slip Fitter, Trunnion, Yoke, Post Mount
	Certification	cULus E335594; DLC 5.1 Premium



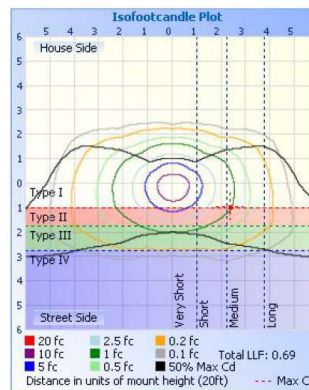
LFL10-SF LFL10-T LFL10-PM LFL10-YK  
 \*Mounting Options (sold separately)

### Dimensions

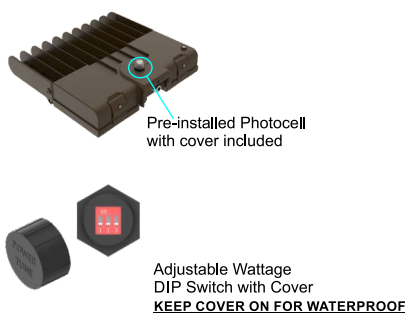


A x B x C:  
 300W: 12-5/8" x 17-7/8" x 3-1/2"

### Photometrics



- ▶ Lifespan: **50,000 hrs**
- ▶ Beam Angle: **125° x 150°**
- ▶ Warranty: **5 Year Limited Warranty**
- ▶ Dimmable: **0-10V/PWM/VR**
- ▶ **UL listed for Wet Location**
- ▶ **Features:**
  - Pre-installed Photocell
  - Adjustable Wattage: 150W/200W/240W/300W



Item No.	Description		Std. Pkg.
LFL10-300W-P	LFL10 LED AREA LIGHT HOUSING ONLY, WITH PHOTOCELL, 150W-300W ADJUSTABLE, 120~277V 5000K-BRONZE		1
LFL10-SF	SLIP FITTER FOR LFL10 SERIES		8
LFL10-T	TRUNNION MOUNT FOR LFL10 SERIES		8
LFL10-PM	POST MOUNT FOR LFL10 SERIES		12
LFL10-YK-300	YOKE MOUNT FOR LFL10 300W-400W		10
SFPMA	SLIP FITTER TO POST MOUNT ADAPTER FOR LFL10 SERIES		12



## LFL10 Series - 400W (Adjustable Wattage Model)

### Descriptions

The LFL10 Series are powerful LED Area Lights ideal for outdoor applications such as exterior building lighting, roadways, loading docks, or parking areas. Compared to traditional area lighting, the slim design of these Ultra-Bright LED Area Lights makes them lighter in weight, easier to install. Unlike other Area Lights, the LFL10 can be mounted and wired without having to access inside the fixture making the installation process even faster. Pre-installed Photocell on all models and Adjustable Wattage on selected models. UL listed for Wet Locations. DLC 5.1 Premium Listed.

### General Specifications

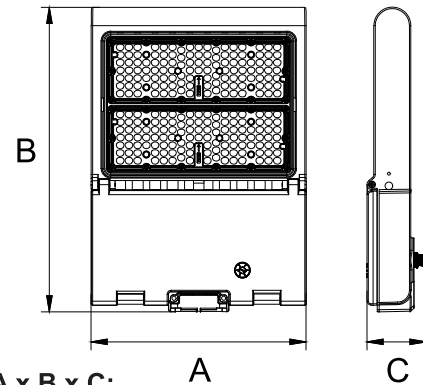
	Spec	LFL10-400W-P
Electrical	Input Voltage	120~277V
	Wattage Range	230W/300W/350W/400W
	Power Factor	> 0.9
Light Output	Lumens Range	32430lm/42300lm/49350lm/56047lm
	Efficacy	141 lm/W
	CRI	70+
	Color Temp.	5000K
	BUG	B5-U0-G5
	Distribution Type	TYPE III
Physical	Equivalent	Up to 1200W
	Housing	ADC12 Die Cast Aluminum
	Finish	UV Resistant Bronze Powder Coat Finish
	Lens Material	High Light Transmittance Polycarbonate Lens
	Ambient Operating Temp	-40°C / -40°F to 40°C / 104°F
Other	Mount (Sold Separately)	Slip Fitter, Trunnion, Yoke, Post Mount
Other	Certification	cULus E335594; DLC 5.1 Premium



LFL10-SF LFL10-T LFL10-PM LFL10-YK

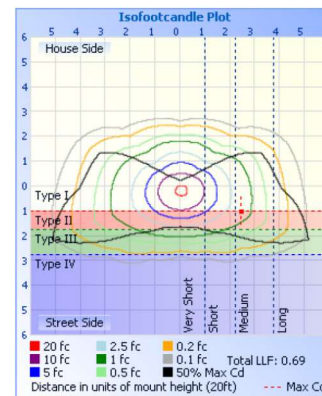
\*Mounting Options (sold separately)

### Dimensions

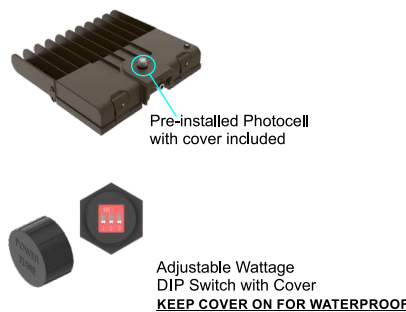


A x B x C:  
 400W: 12-5/8" x 22-3/8" x 3-1/2"

### Photometrics



- ▶ Lifespan: **50,000 hrs**
- ▶ Beam Angle: **120° x 145°**
- ▶ Warranty: **5 Year Limited Warranty**
- ▶ Dimmable: **0-10V/PWM/VR**
- ▶ **UL listed for Wet Location**
- ▶ **Features:**
  - Pre-installed Photocell
  - Adjustable Wattage: 230W/300W/350W/400W



Item No.	Description		Std. Pkg.
LFL10-400W-P	LFL10 LED AREA LIGHT HOUSING ONLY, WITH PHOTOCELL, 230W-400W ADJUSTABLE, 120~277V 5000K-BRONZE		1
LFL10-SF	SLIP FITTER FOR LFL10 SERIES		8
LFL10-T	TRUNNION MOUNT FOR LFL10 SERIES		8
LFL10-PM	POST MOUNT FOR LFL10 SERIES		12
LFL10-YK-300	YOKE MOUNT FOR LFL10 300W-400W		10
SFPMA	SLIP FITTER TO POST MOUNT ADAPTER FOR LFL10 SERIES		12





## LFL10 Series 480V - 230W

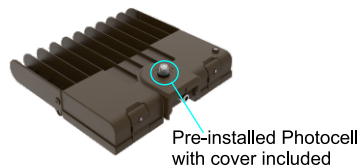
### Descriptions

The LFL10 Series are powerful LED Area Lights ideal for outdoor applications such as exterior building lighting, roadways, loading docks, or parking areas. Compared to traditional area lighting, the slim design of these Ultra-Bright LED Area Lights makes them lighter in weight, easier to install. Unlike other Area Lights, the LFL10 can be mounted and wired without having to access inside the fixture making the installation process even faster. Pre-installed Photocell on all models and Adjustable Wattage on selected models. UL listed for Wet Locations. DLC 5.1 Premium Listed.

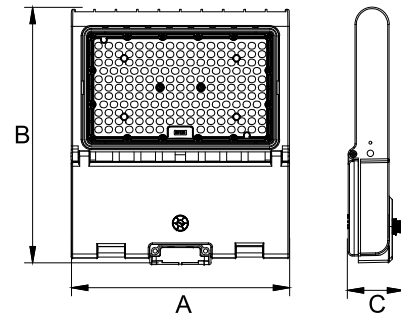
### General Specifications

	Spec	LFL10-230W-P-480V
Electrical	Input Voltage	277~480V
	Wattage	230W
	Power Factor	> 0.9
Light Output	Lumens	31735 lm
	Efficacy	141 lm/W
	CRI	70+
	Color Temp.	5000K
	BUG	B4-U0-G4
	Distribution Type	TYPE III
Physical	Equivalent	1000W
	Housing	ADC12 Die Cast Aluminum
	Finish	UV Resistant Bronze Powder Coat Finish
	Lens Material	High Light Transmittance Polycarbonate Lens
	Ambient Operating Temp	-40°C / -40°F to 40°C / 104°F
	Mount (Sold Separately)	Slip Fitter, Trunnion, Yoke, Post Mount
Other	Certification	cULus E335594; DLC 5.1 Premium

- ▶ Lifespan: **50,000 hrs**
- ▶ Beam Angle: **115° x 145°**
- ▶ Warranty: **5 Year Limited Warranty**
- ▶ Dimmable: **0-10V/PWM/VR**
- ▶ **UL listed for Wet Location**
- ▶ **Features:**
- Pre-installed Photocell

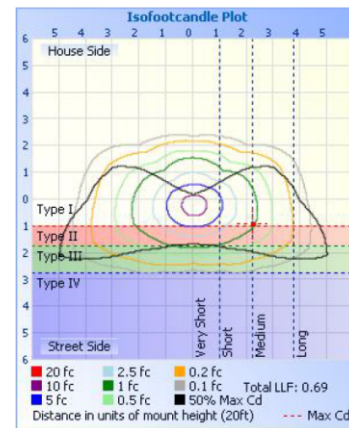


### Dimensions



A x B x C:  
230W: 12-5/8" x 14-3/4" x 3-1/4"

### Photometrics



Item No.	Description	Std. Pkg.
LFL10-230W-P-480V	LFL10 LED AREA LIGHT HOUSING ONLY, WITH PHOTOCCELL, 230W 277~480V 5000K-BRONZE	1
LFL10-SF	SLIP FITTER FOR LFL10 SERIES	8
LFL10-T	TRUNNION MOUNT FOR LFL10 SERIES	8
LFL10-PM	POST MOUNT FOR LFL10 SERIES	12
LFL10-YK-80	YOKE MOUNT FOR LFL10 80W-230W	12
SFPMA	SLIP FITTER TO POST MOUNT ADAPTER FOR LFL10 SERIES	12



## LFL10 Series 480V - 400W

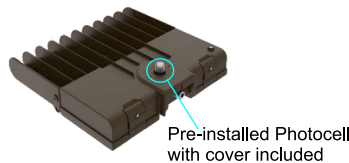
### Descriptions

The LFL10 Series are powerful LED Area Lights ideal for outdoor applications such as exterior building lighting, roadways, loading docks, or parking areas. Compared to traditional area lighting, the slim design of these Ultra-Bright LED Area Lights makes them lighter in weight, easier to install. Unlike other Area Lights, the LFL10 can be mounted and wired without having to access inside the fixture making the installation process even faster. Pre-installed Photocell on all models and Adjustable Wattage on selected models. UL listed for Wet Locations. DLC 5.1 Premium Listed.

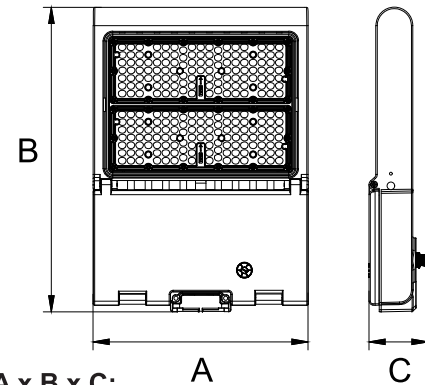
### General Specifications

	Spec	LFL10-400W-P-480V
Electrical	Input Voltage	277~480V
	Wattage	400W
	Power Factor	> 0.9
Light Output	Lumens Range	57435 lm
	Efficacy	148 lm/W
	CRI	70+
	Color Temp.	5000K
	BUG	B5-U0-G5
	Distribution Type	TYPE III
	Equivalent	1200W
Physical	Housing	ADC12 Die Cast Aluminum
	Finish	UV Resistant Bronze Powder Coat Finish
	Lens Material	High Light Transmittance Polycarbonate Lens
	Ambient Operating Temp	-40°C / -40°F to 40°C / 104°F
	Mount (Sold Separately)	Slip Fitter, Trunnion, Yoke, Post Mount
Other	Certification	cULus E335594; DLC 5.1 Premium

- ▶ Lifespan: **50,000 hrs**
- ▶ Beam Angle: **115° x 145°**
- ▶ Warranty: **5 Year Limited Warranty**
- ▶ Dimmable: **0-10V/PWM/VR**
- ▶ **UL listed for Wet Location**
- ▶ **Features:**
- Pre-installed Photocell

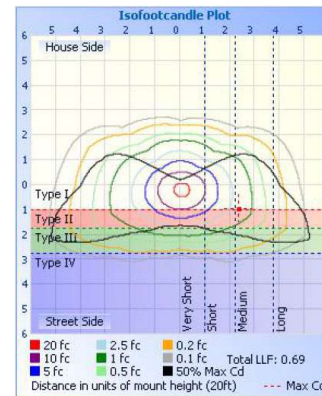


### Dimensions



A x B x C:  
 400W: 12-5/8" x 22-3/8" x 3-1/2"

### Photometrics



Item No.	Description	Std. Pkg.
LFL10-400W-P-480V	LFL10 LED AREA LIGHT HOUSING ONLY, WITH PHOTOCCELL, 400W 277~480V 5000K-BRONZE	1
LFL10-SF	SLIP FITTER FOR LFL10 SERIES	8
LFL10-T	TRUNNION MOUNT FOR LFL10 SERIES	8
LFL10-PM	POST MOUNT FOR LFL10 SERIES	12
LFL10-YK-300	YOKE MOUNT FOR LFL10 300W-400W	10
SFPMA	SLIP FITTER TO POST MOUNT ADAPTER FOR LFL10 SERIES	12



## LFL20-15W

### Descriptions

The LFL20 Series is a powerful LED Bullet Flood Light ideal for various outdoor applications. Its UV Resistant, Die Cast design as well as low power consumption provide an ultra-bright and long reliable service in wet locations. UL listed for Wet Locations. DLC listed.



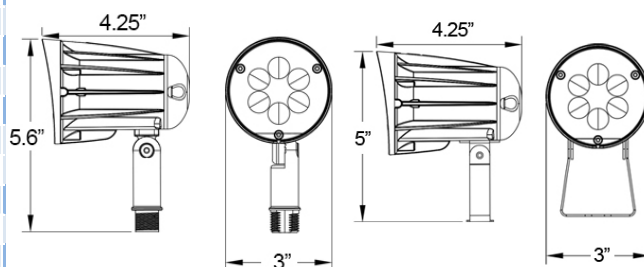
LFL20-15W-CW-KN  
LFL20-15W-WW-KN

LFL20-15W-CW-T  
LFL20-15W-WW-T

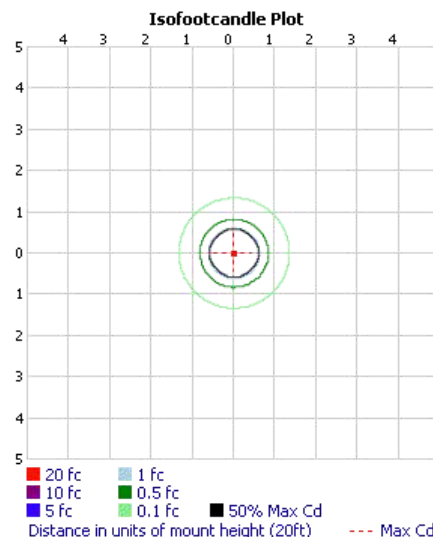
### General Specifications

	Spec	LFL20-15W-CW	LFL20-15W-WW
Electrical	Input Voltage	120~277V	
	Input Power	15W	
	Power Factor	> 0.9	
Light Output	Total Lumens	1655 lm	1539 lm
	Efficacy	113 lm/W	107 lm/W
	CRI	80+	80+
	Color Temp.	5000K	3000K
	BUG	B1-U1-G0	B1-U1-G0
	Distribution Type	TYPE VS	TYPE VS
	Equivalent	50W	50W
Physical	Housing	ADC12 Die Cast Aluminum	
	Finish	UV Resistant Bronze Powder Coat Finish	
	Lens Material	High Light Transmittance Polycarbonate Lens with Weatherproof Gasket	
	Ambient Operating Temp	-20°C / -4°F to 40°C / 104°F	
	Mount	Trunnion, 1/2" Adjustable Knuckle Mount	
Other	Certification	cULus E335594; DLC 4.2	

### Dimensions



### Photometrics



- ▶ LED Brand: **Philips Lumileds**
- ▶ Lifespan: **50,000 hrs**
- ▶ Warranty: **5 Year Limited Warranty**
- ▶ **UL listed for Wet Location**
- ▶ Beam Angle: **60°**



Item No.	Description	Std. Pkg.
LFL20-15W-CW-KN	LED BULLET FLOOD LIGHT W/ KNUCKLE 15W 120~277V 5000K CW- BR	12
LFL20-15W-CW-T	LED BULLET FLOOD LIGHT W/ TRUNNION 15W 120~277V 5000K CW- BR	12
LFL20-15W-WW-KN	LED BULLET FLOOD LIGHT W/ KNUCKLE 15W 120~277V 3000K WW- BR	12
LFL20-15W-WW-T	LED BULLET FLOOD LIGHT W/ TRUNNION 15W 120~277V 3000K WW- BR	12



## LFL20-28W

### Descriptions

The LFL20 Series is a powerful LED Bullet Flood Light ideal for various outdoor applications. Its UV Resistant, Die Cast design as well as low power consumption provide an ultra-bright and long reliable service in wet locations. UL listed for Wet Locations. DLC listed.

### General Specifications

	Spec	LFL20-28W-CW	LFL20-28W-WW
Electrical	Input Voltage	120~277V	
	Input Power	28W	
	Power Factor	> 0.9	
Light Output	Total Lumens	3021 lm	2770 lm
	Efficacy	115 lm/W	106 lm/W
	CRI	80+	80+
	Color Temp.	5000K	3000K
	BUG	B2-U1-G0	B2-U1-G0
	Distribution Type	TYPE VS	TYPE VS
	Equivalent	100W	100W
Physical	Housing	ADC12 Die Cast Aluminum	
	Finish	UV Resistant Bronze Powder Coat Finish	
	Lens Material	High Light Transmittance Polycarbonate Lens with Weatherproof Gasket	
	Ambient Operating Temp	-20°C / -4°F to 40°C / 104°F	
Other	Mount	Trunnion, 1/2" Adjustable Knuckle Mount	
Other	Certification	cULus E335594; DLC 4.2	

- ▶ LED Brand: **Philips Lumileds**
- ▶ Lifespan: **50,000 hrs**
- ▶ Warranty: **5 Year Limited Warranty**
- ▶ **UL listed for Wet Location**
- ▶ Beam Angle: **60°**



**PHILIPS LUMILEDS**



■ 20 Fc    ■ 1 fc  
■ 10 Fc    ■ 0.5 fc  
■ 5 fc    ■ 0.1 fc    ■ 50% Max Cd  
 Distance in units of mount height (20ft)    - - - Max Cd

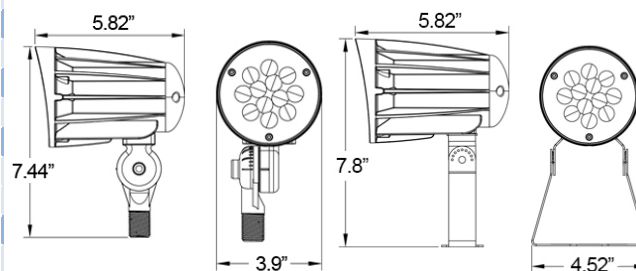


LFL20-28W-CW-KN  
LFL20-28W-WW-KN

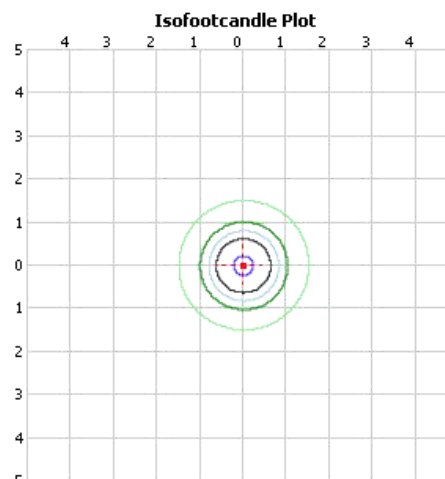


LFL20-28W-CW-T  
LFL20-28W-WW-T

### Dimensions



### Photometrics



Item No.	Description	Std. Pkg.
LFL20-28W-CW-KN	LED BULLET FLOOD LIGHT W/ KNUCKLE 28W 120~277V 5000K CW- BR	8
LFL20-28W-CW-T	LED BULLET FLOOD LIGHT W/ TRUNNION 28W 120~277V 5000K CW- BR	8
LFL20-28W-WW-KN	LED BULLET FLOOD LIGHT W/ KNUCKLE 28W 120~277V 3000K WW- BR	8
LFL20-28W-WW-T	LED BULLET FLOOD LIGHT W/ TRUNNION 28W 120~277V 3000K WW- BR	8



## LFL20-42W

### Descriptions

The LFL20 Series is a powerful LED Bullet Flood Light ideal for various outdoor applications. Its UV Resistant, Die Cast design as well as low power consumption provide an ultra-bright and long reliable service in wet locations. UL listed for Wet Locations. DLC listed.



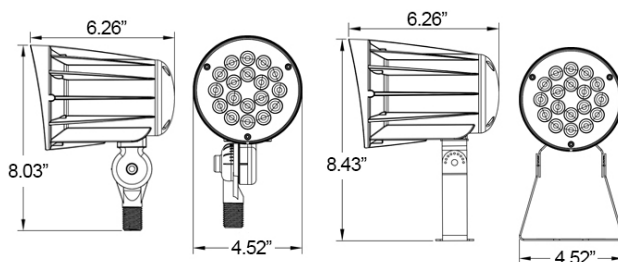
LFL20-42W-CW-KN  
LFL20-42W-WW-KN

LFL20-42W-CW-T  
LFL20-42W-WW-T

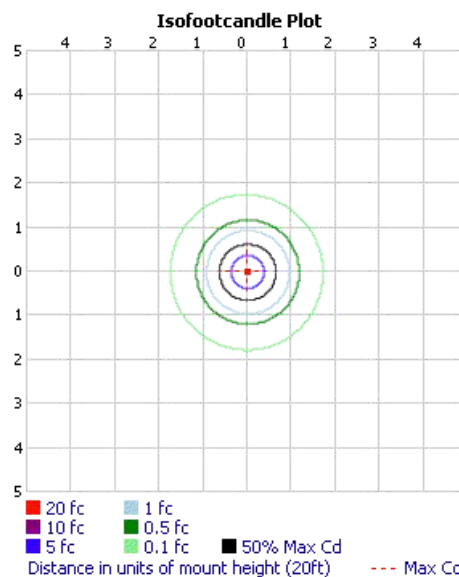
### General Specifications

	Spec	LFL20-42W-CW	LFL20-42W-WW
Electrical	Input Voltage	120~277V	
	Input Power	42W	
	Power Factor	> 0.9	
Light Output	Total Lumens	4487 lm	4204 lm
	Efficacy	114 lm/W	107 lm/W
	CRI	80+	80+
	Color Temp.	5000K	3000K
	BUG	B2-U1-G0	B2-U1-G0
	Distribution Type	TYPE VS	TYPE VS
Physical	Housing	ADC12 Die Cast Aluminum	
	Finish	UV Resistant Bronze Powder Coat Finish	
	Lens Material	High Light Transmittance Polycarbonate Lens with Weatherproof Gasket	
	Ambient Operating Temp	-20°C / -4°F to 40°C / 104°F	
Other	Certification	cULus E335594; DLC 4.2	

### Dimensions



### Photometrics



- ▶ LED Brand: **Philips Lumileds**
- ▶ Lifespan: **50,000 hrs**
- ▶ Warranty: **5 Year Limited Warranty**
- ▶ **UL listed for Wet Location**
- ▶ Beam Angle: **60°**



Item No.	Description	Std. Pkg.
LFL20-42W-CW-KN	LED BULLET FLOOD LIGHT W/ KNUCKLE 42W 120~277V 5000K CW- BR	6
LFL20-42W-CW-T	LED BULLET FLOOD LIGHT W/ TRUNNION 42W 120~277V 5000K CW- BR	6
LFL20-42W-WW-KN	LED BULLET FLOOD LIGHT W/ KNUCKLE 42W 120~277V 3000K WW- BR	6
LFL20-42W-WW-T	LED BULLET FLOOD LIGHT W/ TRUNNION 42W 120~277V 3000K WW- BR	6



## LLHB3-90W

### Descriptions

The LLHB3 is a simple, light designed LED Linear High Bay with better cooling design and high lumen efficiency, ideal for commercial areas such as warehouse, exhibition hall, gymnasiums, or super market. It uses aluminum alloy punched to a very thin and light fixture. Motion Sensor and Emergency Backup Optional. UL listed for damp location. DLC 5.1 Premium Listed.

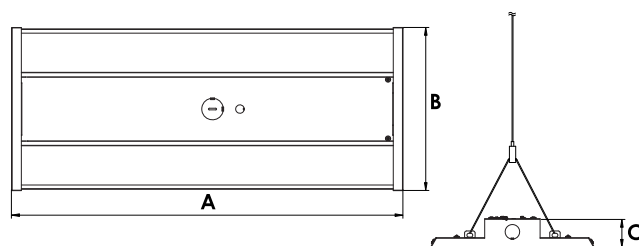


Suspension Kit Included

### General Specifications

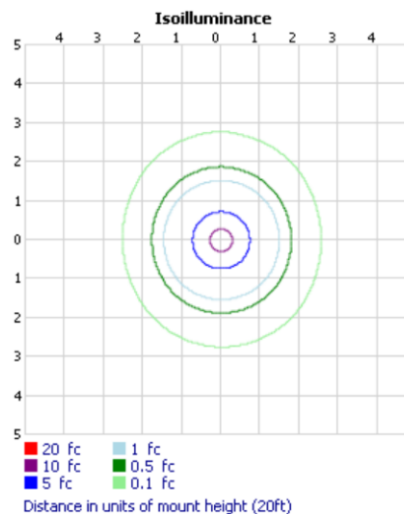
	Spec	LLHB3-90W-CW
Electrical	Input Voltage	120~277V
	Wattage	90W
	Power Factor	> 0.9
Light Output	Total Lumens	12600 lm
	Efficacy	140 lm/W
	CRI	80+
	Color Temp.	5000K
	BUG	B3-U2-G1
	Distribution Type	TYPE VS Distribution
	Equivalent	400W
Physical	Housing	Aluminum Alloy
	Finish	White Powder Coat Finish
	Lens Material	Clear PC Cover
	Ambient Operating Temp	-40°C / -40°F to 55°C / 131°F
	Mount	5.3ft Adjustable Suspension Kit (Included)
	Net Weight	2.65 KG
Other	Certification	cULus E335594; DLC 5.1 Premium

### Dimensions



**A x B x C**  
**90W: 23-5/8" x 9-7/8" x 1-3/4"**

### Photometrics



- ▶ Lifespan: **50,000 hrs**
- ▶ Warranty: **5 Year Limited Warranty**
- ▶ Beam Angle: **115°**
- ▶ Dimmable: 1-10V
- ▶ **UL Listed for Damp location**
- ▶ Accessories Sold Separately:
  - Motion Sensor: **LLHB2-M**
  - Remote Control: **LLHB2-RC**
  - Emergency Backup: **LLHB2-EM**



LLHB2-M



LLHB2-RC



LLHB2-EM



**DIMMABLE**  
Std. Pkg.

Item No.	Description	Std. Pkg.
LLHB3-90W-CW	LED LINEAR HIGHBAY, CLEAR LENS, MOTION SENSOR AND EMERGENCY BACKUP KIT OPTIONAL, 90W 120~277V 5000K CW - WHITE	1
LLHB2-M	MOTION SENSOR FOR LLHB2-FL / LLHB3 SERIES, 120~277V	1
LLHB2-RC	REMOTE CONTROL ONLY FOR LLHB2-M	1
LLHB2-EM	EMERGENCY BACKUP KIT FOR LLHB2-FL / LLHB3 SERIES, 120~277V	1



## LLHB2-FL-130W

### Descriptions

The LLHB2-FL is a simple, light designed LED Linear High Bay with better cooling design and high lumen efficiency, ideal for commercial areas such as warehouse, exhibition hall, gymnasiums, or super market. It uses aluminum alloy punched to a very thin and light fixture. Motion Sensor and Emergency Backup Optional. UL listed for damp location.

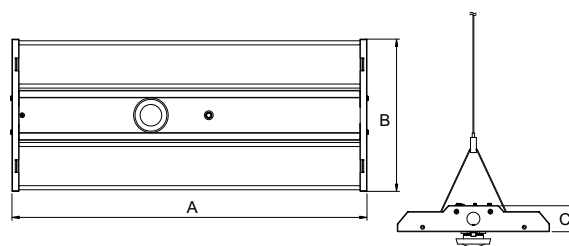


Suspension Kit Included

### General Specifications

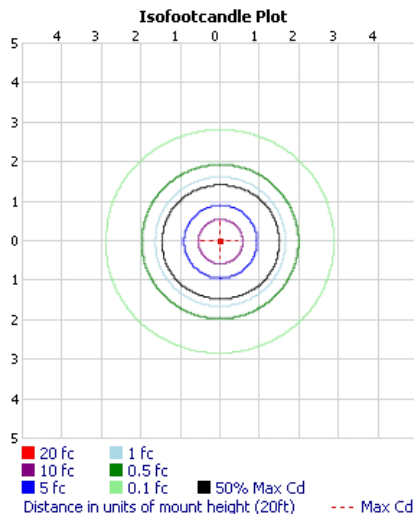
	Spec	LLHB2-FL-130W-CW
Electrical	Input Voltage	120~277V
	Input Power	130W
	Power Factor	> 0.9
Light Output	Total Lumens	18500 lm
	Efficacy	142 lm/W
	CRI	80
	Color Temp.	5000K
	BUG	B4-U0-G1
	Distribution Type	TYPE VS Distribution
Physical	Equivalent	400W
	Housing	Aluminum Alloy
	Finish	UV Resistant White Powder Coat Finish
	Lens Material	Frosted PC Cover
	Ambient Operating Temp	-40°C / -40°F to 55°C / 131°F
	Mount	5.3ft Adjustable Suspension Kit (Included)
Other	Net Weight	4.95 KG
	Certification	cULus E335594

### Dimensions



**A x B x C**  
**130W: 24" x 19-5/8" x 1-3/4"**

### Photometrics



- ▶ Lifespan: **50,000 hrs**
- ▶ Warranty: **5 Year Limited Warranty**
- ▶ Beam Angle: **110°**
- ▶ Dimmable to 10%
- ▶ **UL Listed for Damp location**
- ▶ Accessories Sold Separately:
  - Motion Sensor: **LLHB2-M**
  - Remote Control: **LLHB2-RC**
  - Emergency Backup: **LLHB2-EM**



LLHB2-M



LLHB2-RC



LLHB2-EM



Std. Pkg.

Item No.	Description	Std. Pkg.
LLHB2-FL-130W-CW	LED LINEAR HIGHBAY, FROSTED LENS, MOTION SENSOR AND EMERGENCY BACKUP KIT OPTIONAL, 130W 120~277V 5000K CW - WHITE	1
LLHB2-M	MOTION SENSOR ONLY FOR LLHB2-FL SERIES, 120~277V	1
LLHB2-RC	REMOTE CONTROL ONLY FOR LLHB2-M	1
LLHB2-EM	EMERGENCY BACKUP KIT FOR LLHB2-FL SERIES, 120~277V	1



## LUHB4 Series - 100W

### Descriptions

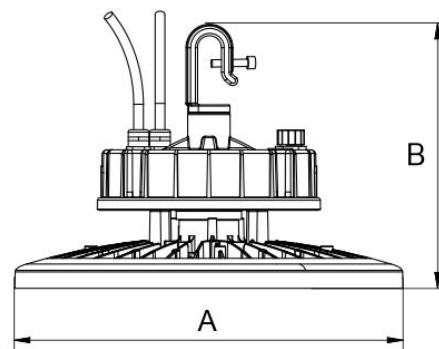
The LUHB4 Series is UFO shape LED High Bay with low-profile design, excellent cooling structure. It is ideal for commercial areas such as warehouse, station, supermarket, or exhibition hall. It provides multiple mounting constructions for various mounting request. Adjustable Wattage on selected models. UL listed for wet locations. DLC 5.1 Premium Listed.



### General Specifications

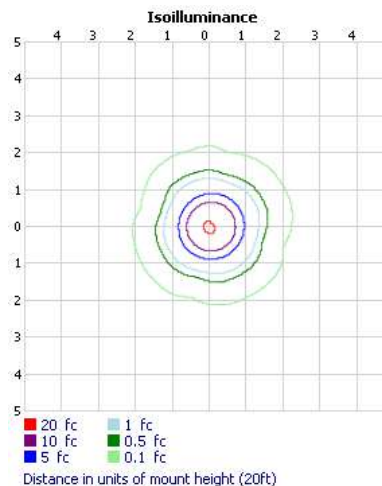
	Spec	LUHB4-100W-CW
Electrical	Input Voltage	120~277V
	Wattage	100W
	Power Factor	> 0.9
Light Output	Lumens	15000 lm
	Efficacy	150 lm/W
	CRI	80+
	Color Temp.	5000K
Physical	Equivalent	400W
	Housing	ADC12 Die Cast Aluminum
	Finish	UV Resistant Black Powder Coat Finish
	Lens Material	High Light Transmittance Polycarbonate Lens
	Ambient Operating Temp	-40°C / -40°F to 50°C / 122°F
Other	Mount (Sold Separately)	Hook, Pendant, Trunnion
	Certification	cULus E335594; DLC 5.1 Premium

### Dimensions



A x B:  
 100W: 12-5/8" x 8-9/16"

### Photometrics



- ▶ Lifespan: **50,000 hrs**
- ▶ Beam Angle: **90°**
- ▶ Warranty: **5 Year Limited Warranty**
- ▶ Dimmable: **0-10V/PWM/VR**
- ▶ **UL listed for Wet Location**



Item No.	Description	Std. Pkg.
LUHB4-100W-CW	LED UFO HIGHBAY 100W 120~277V 5000K CW - BLACK	1
LUHB4-T-100	SURFACE MOUNT BRACKET FOR LUHB4 100W-150W	40





## LUHB4 Series - 150W (Adjustable Wattage Model)

### Descriptions

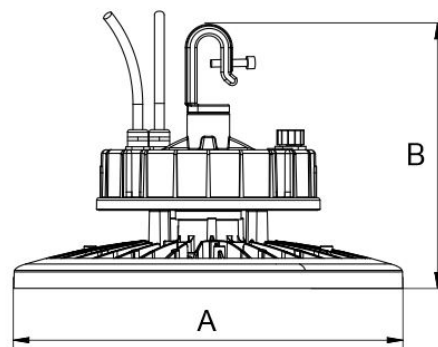
The LUHB4 Series is UFO shape LED High Bay with low-profile design, excellent cooling structure. It is ideal for commercial areas such as warehouse, station, supermarket, or exhibition hall. It provides multiple mounting constructions for various mounting request. Adjustable Wattage on selected models. UL listed for wet locations. DLC 5.1 Premium Listed.



### General Specifications

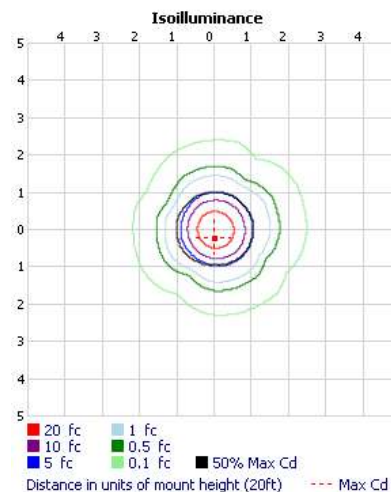
	Spec	LUHB4-150W-CW
Electrical	Input Voltage	120~277V
	Wattage Range	50W/80W/100W/150W
	Power Factor	> 0.9
Light Output	Lumens Range	7400lm/11840lm/14800lm/22200lm
	Efficacy	148 lm/W
	CRI	80+
	Color Temp.	5000K
	Equivalent	750W
Physical	Housing	ADC12 Die Cast Aluminum
	Finish	UV Resistant Black Powder Coat Finish
	Lens Material	High Light Transmittance Polycarbonate Lens
	Ambient Operating Temp	-40°C / -40°F to 50°C / 122°F
	Mount (Sold Separately)	Hook, Pendant, Trunnion
Other	Certification	cULus E335594; DLC 5.1 Premium

### Dimensions



A x B:  
 150W: 12-5/8" x 8-9/16"

### Photometrics



- ▶ Lifespan: **50,000 hrs**
- ▶ Beam Angle: **90°**
- ▶ Warranty: **5 Year Limited Warranty**
- ▶ Dimmable: **0-10V/PWM/VR**
- ▶ **UL listed for Wet Location**
- ▶ **Features:**
  - Adjustable Wattage: 50W/80W/100W/150W



Adjustable Wattage  
 DIP Switch with Cover  
**KEEP COVER ON FOR WATERPROOF**



Item No.	Description	Std. Pkg.
LUHB4-150W-CW	LED UFO HIGHBAY 150W 120~277V 5000K CW - BLACK	1
LUHB4-T-100	SURFACE MOUNT BRACKET FOR LUHB4 100W-150W	40



## LUHB4 Series - 300W (Adjustable Wattage Model)

### Descriptions

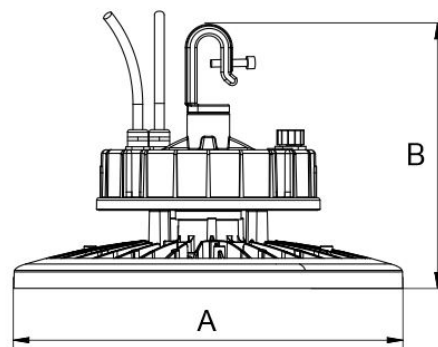
The LUHB4 Series is UFO shape LED High Bay with low-profile design, excellent cooling structure. It is ideal for commercial areas such as warehouse, station, supermarket, or exhibition hall. It provides multiple mounting constructions for various mounting request. Adjustable Wattage on selected models. UL listed for wet locations. DLC 5.1 Premium Listed.



### General Specifications

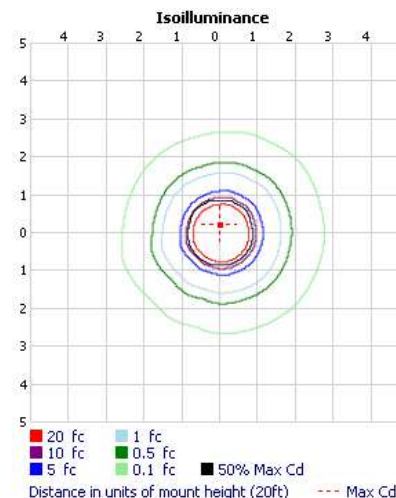
	Spec	LUHB4-300W-CW
Electrical	Input Voltage	120~277V
	Wattage Range	150W/200W/240W/300W
	Power Factor	> 0.9
Light Output	Lumens Range	21000lm/28000lm/33600lm/42000lm
	Efficacy	140 lm/W
	CRI	80+
	Color Temp.	5000K
Physical	Equivalent	1000W
	Housing	ADC12 Die Cast Aluminum
	Finish	UV Resistant Black Powder Coat Finish
	Lens Material	High Light Transmittance Polycarbonate Lens
	Ambient Operating Temp	-40°C / -40°F to 50°C / 122°F
Other	Mount (Sold Separately)	Hook, Pendant, Trunnion
Other	Certification	cULus E335594; DLC 5.1 Premium

### Dimensions



A x B:  
 300W: 15-3/4" x 8-7/16"

### Photometrics



- ▶ Lifespan: **50,000 hrs**
- ▶ Beam Angle: **90°**
- ▶ Warranty: **5 Year Limited Warranty**
- ▶ Dimmable: **0-10V/PWM/VR**
- ▶ **UL listed for Wet Location**
- ▶ **Features:**
  - Adjustable Wattage: 150W/200W/240W/300W



Adjustable Wattage  
 DIP Switch with Cover  
**KEEP COVER ON FOR WATERPROOF**



Item No.	Description	Std. Pkg.
LUHB4-300W-CW	LED UFO HIGHBAY 300W 120~277V 5000K CW - BLACK	1
LUHB4-T-230	SURFACE MOUNT BRACKET FOR LUHB4 230W-300W	40



## LUHB3 Series - 230W

### Descriptions

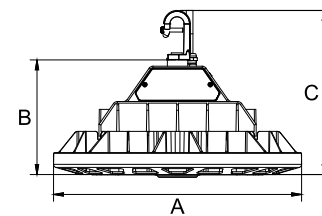
The LUHB3 is UFO shape LED High Bay with low-profile design, excellent cooling structure. It is ideal for commercial areas such as warehouse, station, supermarket, or exhibition hall. It provides multiple mounting constructions for various mounting request. This series is motion sensor compatible, and it has built-in safety cable for enhanced safety restraint. UL listed for wet locations. DLC premium listed.

### General Specifications

	Spec	LUHB3-230W-CW
Electrical	Input Voltage	120~277V
	Input Power	230W
	Power Factor	> 0.9
Light Output	Total Lumens	30988 lm
	Efficacy	140 lm/W
	CRI	80
	Color Temp.	5000K
	BUG	B5-U0-G2
	Distribution Type	TYPE VS Distribution
	Equivalent	1000W
Physical	Housing	ADC12 Die Cast Aluminum
	Finish	UV Resistant Black Powder Coat Finish
	Lens Material	High Light Transmittance Polycarbonate Lens
	Ambient Operating Temp	-40°C / -40°F to 40°C / 104°F
	Mount	Hook, Pendant, Trunion
Other	Net Weight	4.7 KG
Other	Certification	cULus E335594; DLC Premium

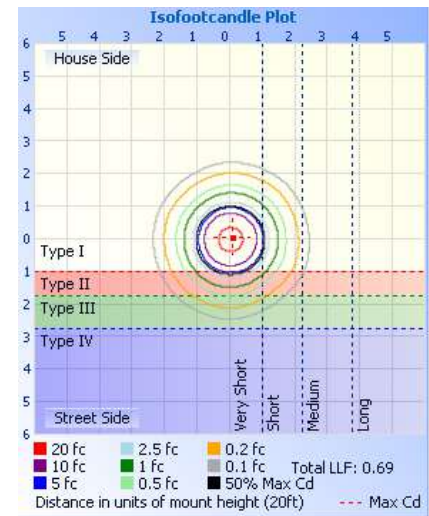


### Dimensions



A x B x C:  
 230W: 13-3/4" x 6-1/8" x 8-1/2"

### Photometrics



- ▶ Lifespan: **50,000 hrs**
- ▶ Beam Angle: **90°**
- ▶ Warranty: **5 Year Limited Warranty**
- ▶ Dimmable to 10%
- ▶ **UL listed for Wet Location**
- ▶ Accessories Sold Separately:  
 Motion Sensor: **MMS-R**  
 Remote Control: **MMS-RC**  
 Trunion Mount: **LUHB3-T-230**



Item No.	Description	Std. Pkg.
LUHB3-230W-CW	LED UFO HIGHBAY MOTION COMPATIBLE 230W 120~277V 5000K-BLACK	1
MMS-R	MICROWAVE MOTION SENSOR, ROUND, 120~277V	1
MMS-RC	MICROWAVE MOTION SENSOR, REMOTE CONTROL	1
LUHB3-T-230	SURFACE MOUNT BRACKET FOR LUHB3 230W, 120~277V	20



## LUHB3 Series 480V - 100W

### Descriptions

The LUHB3 is UFO shape designed LED High Bay with excellent cooling structure. It is ideal for commercial areas such as warehouse, station, supermarket, or exhibition hall. It provides multiple mounting constructions for various mounting request. This series has built-in safety cable for enhanced safety restraint. UL listed for wet locations. DLC premium listed.

### General Specifications

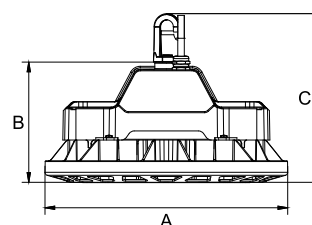
	Spec	LUHB3-100W-CW-480V
Electrical	Input Voltage	277~480V
	Input Power	100W
	Power Factor	> 0.9
Light Output	Total Lumens	13605 lm
	Efficacy	142 lm/W
	CRI	80
	Color Temp.	5000K
	BUG	B4-U0-G1
	Distribution Type	TYPE VS Distribution
Physical	Equivalent	400W
	Housing	ADC12 Die Cast Aluminum
	Finish	UV Resistant Black Powder Coat Finish
	Lens Material	High Light Transmittance Polycarbonate Lens
	Ambient Operating Temp	-40°C / -40°F to 40°C / 104°F
Other	Mount	Hook, Pendant, Trunnion
	Net Weight	4.0 KG
Other	Certification	cULus E335594; DLC Premium

- ▶ Lifespan: **50,000 hrs**
- ▶ Beam Angle: **90°**
- ▶ Warranty: **5 Year Limited Warranty**
- ▶ Dimmable to 10%

- ▶ **UL listed for Wet Location**
- ▶ Accessory Sold Separately:  
Trunnion Mount: **LUHB3-T-480V**

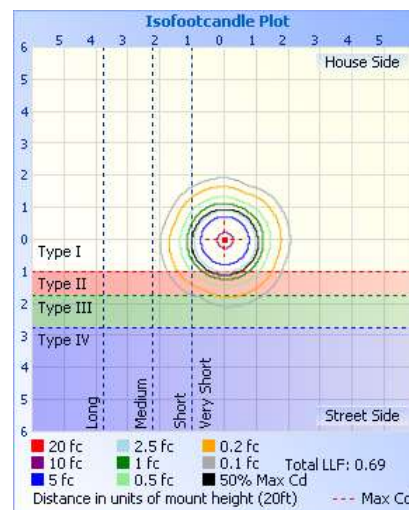


### Dimensions



**A x B x C:**  
**100W: 12-3/8" x 6-1/8" x 8-5/8"**

### Photometrics



Item No.	Description	Std. Pkg.
LUHB3-100W-CW-480V	LED UFO HIGHBAY 100W 277~480V 5000K-BLACK	1
LUHB3-T-480V	SURFACE MOUNT BRACKET FOR LUHB3 277~480V	20



## LUHB3 Series 480V - 150W

### Descriptions

The LUHB3 is UFO shape designed LED High Bay with excellent cooling structure. It is ideal for commercial areas such as warehouse, station, supermarket, or exhibition hall. It provides multiple mounting constructions for various mounting request. This series has built-in safety cable for enhanced safety restraint. UL listed for wet locations. DLC premium listed.

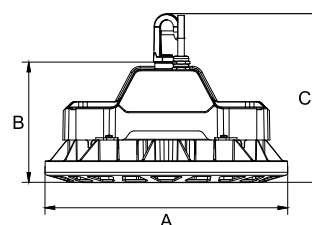
### General Specifications

	Spec	LUHB3-150W-CW-480V
Electrical	Input Voltage	277~480V
	Input Power	150W
	Power Factor	> 0.9
Light Output	Total Lumens	20658 lm
	Efficacy	137 lm/W
	CRI	80
	Color Temp.	5000K
	BUG	B4-U0-G2
	Distribution Type	TYPE VS Distribution
	Equivalent	750W
Physical	Housing	ADC12 Die Cast Aluminum
	Finish	UV Resistant Black Powder Coat Finish
	Lens Material	High Light Transmittance Polycarbonate Lens
	Ambient Operating Temp	-40°C / -40°F to 40°C / 104°F
	Mount	Hook, Pendant, Trunnion
Other	Certification	cULus E335594; DLC Premium

- ▶ Lifespan: **50,000 hrs**
- ▶ Beam Angle: **90°**
- ▶ Warranty: **5 Year Limited Warranty**
- ▶ Dimmable to 10%
- ▶ **UL listed for Wet Location**
- ▶ Accessory Sold Separately: Trunnion Mount: **LUHB3-T-480V**

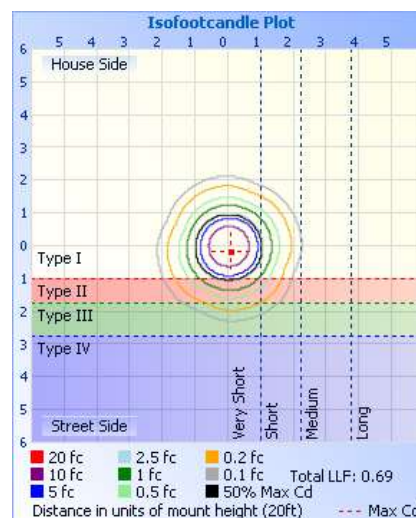


### Dimensions



**A x B x C:**  
**150W: 12-3/8" x 6-1/8" x 8-5/8"**

### Photometrics



Item No.	Description	Std. Pkg.
LUHB3-150W-CW-480V	LED UFO HIGHBAY 150W 277~480V 5000K-BLACK	1
LUHB3-T-480V	SURFACE MOUNT BRACKET FOR LUHB3 277~480V	20



## LUHB3 Series 480V - 230W

### Descriptions

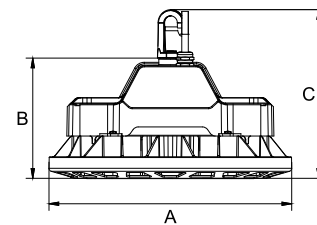
The LUHB3 is UFO shape designed LED High Bay with excellent cooling structure. It is ideal for commercial areas such as warehouse, station, supermarket, or exhibition hall. It provides multiple mounting constructions for various mounting request. This series has built-in safety cable for enhanced safety restraint. UL listed for wet locations. DLC premium listed.



### General Specifications

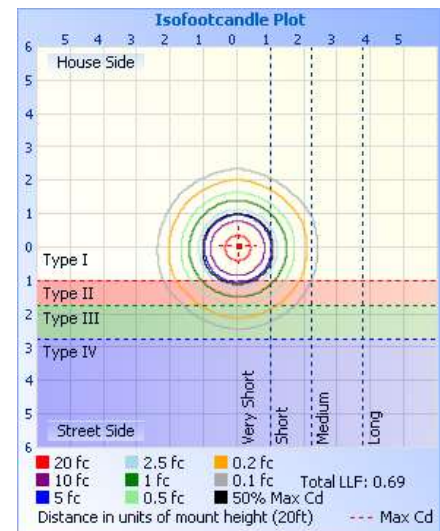
	Spec	LUHB3-230W-CW-480V
Electrical	Input Voltage	277~480V
	Input Power	230W
	Power Factor	> 0.9
Light Output	Total Lumens	31330 lm
	Efficacy	142 lm/W
	CRI	80
	Color Temp.	5000K
	BUG	B5-U0-G2
	Distribution Type	TYPE VS Distribution
	Equivalent	1000W
Physical	Housing	ADC12 Die Cast Aluminum
	Finish	UV Resistant Black Powder Coat Finish
	Lens Material	High Light Transmittance Polycarbonate Lens
	Ambient Operating Temp	-40°C / -40°F to 40°C / 104°F
	Mount	Hook, Pendant, Trunnion
Other	Net Weight	5.0 KG
	Certification	cULus E335594; DLC Premium

### Dimensions



**A x B x C:**  
**230W: 13-3/4" x 6-5/8" x 9-1/8"**

### Photometrics



- ▶ Lifespan: **50,000 hrs**
- ▶ Beam Angle: **90°**
- ▶ Warranty: **5 Year Limited Warranty**
- ▶ Dimmable to 10%
- ▶ **UL listed for Wet Location**
- ▶ Accessory Sold Separately: Trunnion Mount: **LUHB3-T-480V**



Item No.	Description	Std. Pkg.
LUHB3-230W-CW-480V	LED UFO HIGHBAY 230W 277~480V 5000K-BLACK	1
LUHB3-T-480V	SURFACE MOUNT BRACKET FOR LUHB3 277~480V	20



## LUHB4 Series 480V - 230W

### Descriptions

The LUHB4 Series is UFO shape LED High Bay with low-profile design, excellent cooling structure. It is ideal for commercial areas such as warehouse, station, supermarket, or exhibition hall. It provides multiple mounting constructions for various mounting request. Adjustable Wattage on selected models. UL listed for wet locations. DLC 5.1 Premium Listed.

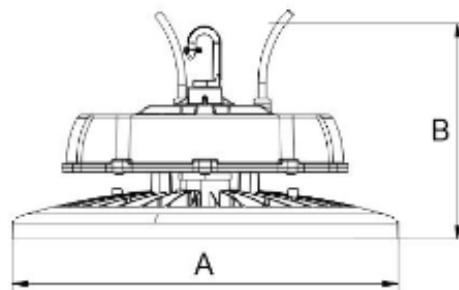
### General Specifications

	Spec	LUHB4-230W-CW-480V
Electrical	Input Voltage	277~480V
	Wattage	230W
	Power Factor	> 0.9
Light Output	Lumens	32890 lm
	Efficacy	143 lm/W
	CRI	80+
	Color Temp.	5000K
	Equivalent	1000W
Physical	Housing	ADC12 Die Cast Aluminum
	Finish	UV Resistant Black Powder Coat Finish
	Lens Material	High Light Transmittance Polycarbonate Lens
	Ambient Operating Temp	-40°C / -40°F to 50°C / 122°F
	Mount (Sold Separately)	Hook, Pendant, Trunnion
Other	Certification	cULus E335594; DLC 5.1 Premium



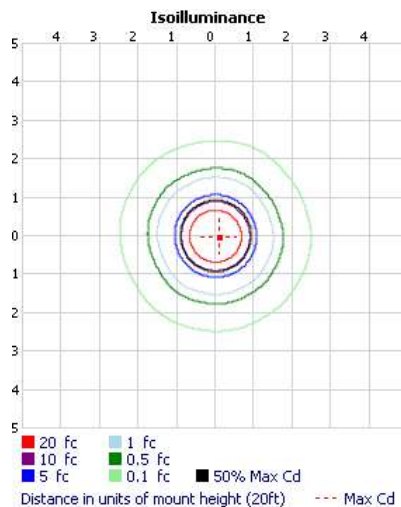
### Dimensions

#### Dimensions



A x B:  
230W: 14-3/16" x 8-7/8"

#### Photometrics



- ▶ Lifespan: **50,000 hrs**
- ▶ Beam Angle: **90°**
- ▶ Warranty: **5 Year Limited Warranty**
- ▶ Dimmable: **0-10V/PWM/VR**
- ▶ **UL listed for Wet Location**



Item No.	Description	Std. Pkg.
LUHB4-230W-CW-480V	LED UFO HIGHBAY 230W 277~480V 5000K CW - BLACK	1
LUHB4-T-230	SURFACE MOUNT BRACKET FOR LUHB4 230W-300W	40



## LUHB4 Series 480V - 300W

### Descriptions

The LUHB4 Series is UFO shape LED High Bay with low-profile design, excellent cooling structure. It is ideal for commercial areas such as warehouse, station, supermarket, or exhibition hall. It provides multiple mounting constructions for various mounting request. Adjustable Wattage on selected models. UL listed for wet locations. DLC 5.1 Premium Listed.

### General Specifications

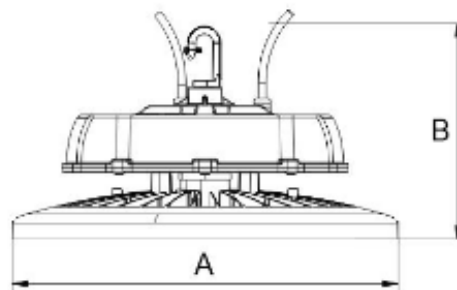
	Spec	LUHB4-300W-CW-480V
Electrical	Input Voltage	277~480V
	Wattage	300W
	Power Factor	> 0.9
Light Output	Lumens	42900 lm
	Efficacy	143 lm/W
	CRI	80+
	Color Temp.	5000K
	Equivalent	1000W
Physical	Housing	ADC12 Die Cast Aluminum
	Finish	UV Resistant Black Powder Coat Finish
	Lens Material	High Light Transmittance Polycarbonate Lens
	Ambient Operating Temp	-40°C / -40°F to 50°C / 122°F
	Mount (Sold Separately)	Hook, Pendant, Trunnion
Other	Certification	cULus E335594; DLC 5.1 Premium



LUHB4-T-230  
(sold separately)

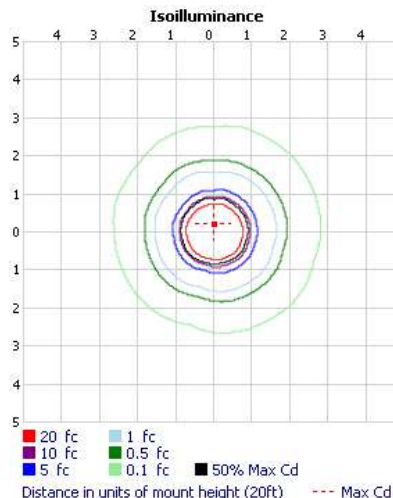
### Dimensions

#### Dimensions



A x B:  
300W: 15-3/4" x 8-7/8"

### Photometrics



- ▶ Lifespan: **50,000 hrs**
- ▶ Beam Angle: **90°**
- ▶ Warranty: **5 Year Limited Warranty**
- ▶ Dimmable: **0-10V/PWM/VR**
- ▶ **UL listed for Wet Location**



Item No.	Description	Std. Pkg.
LUHB4-300W-CW-480V	LED UFO HIGHBAY 300W 277~480V 5000K CW - BLACK	1
LUHB4-T-230	SURFACE MOUNT BRACKET FOR LUHB4 230W-300W	40





## LCM7 Series - 40W

### Descriptions

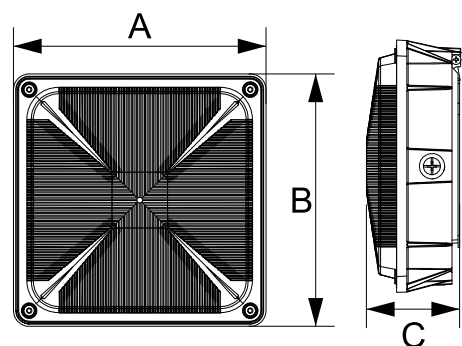
The LCM7 is a low-profile, ultra-light weight outdoor LED canopy light. The LCM7 housing is constructed of die cast aluminum, with a bronze powder coat finish for extra corrosion resistance. The hinged and removable mounting plate design provides quick and convenient installation, and labor savings. With motion sensor compatible, LCM7 series is ideal for parking garages, security lightings. UL Listed for Wet Locations. DLC 5.1 Premium Listed.



### General Specifications

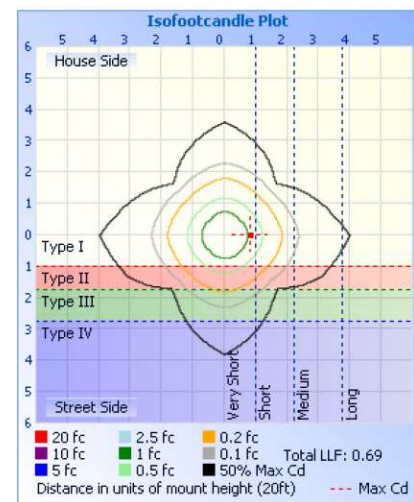
	Spec	LCM7-40W-CW
Electrical	Input Voltage	120~277V
	Input Power	40W
	Power Factor	> 0.9
Light Output	Total Lumens	4814 lm
	Efficacy	126 lm/W
	CRI	80+
	Color Temp.	5000K
	Distribution Type	TYPE VS
	Equivalent	150W
Physical	BUG	B2-U2-G2
	Housing	ADC 12 Die Cast Aluminum
	Finish	UV Resistant Bronze Powder Coat Finish
	Lens Material	High Light Transmittance Prismatic Polycarbonate Lens
	Ambient Operating Temp	-40°C / -40°F to 40°C / 104°F
Other	Mount	Ceiling, Pendant
	Certification	cULus E335594; DLC 5.1 Premium

### Dimensions



A x B x C:  
40W: 8" x 8" x 3"

### Photometrics



- ▶ Lifespan: **50,000 hrs**
- ▶ Beam Angle: **150° x 150°**
- ▶ Warranty: **5 Year Limited Warranty**
- ▶ **UL listed for Wet Location**

- ▶ Dimmable: **0-10V/PWM/VR**
- ▶ Accessories Sold Separately:  
Motion Sensor: **LCM7-M**  
Photocell



Item No.	Description	Std. Pkg.
LCM7-40W-CW	SLIM LED CANOPY MOTION SENSOR COMPATIBLE 40W 120~277V 5000K BRONZE	6



## LCM7 Series - 60W

### Descriptions

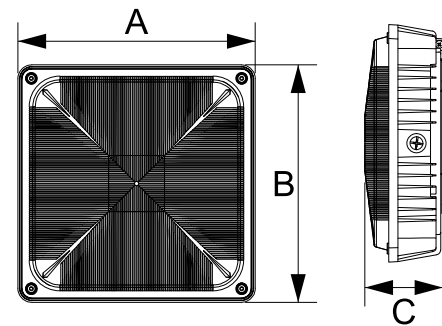
The LCM7 is a low-profile, ultra-light weight outdoor LED canopy light. The LCM7 housing is constructed of die cast aluminum, with a bronze powder coat finish for extra corrosion resistance. The hinged and removable mounting plate design provides quick and convenient installation, and labor savings. With motion sensor compatible, LCM7 series is ideal for parking garages, security lightings. UL Listed for Wet Locations. DLC 5.1 Premium Listed.



### General Specifications

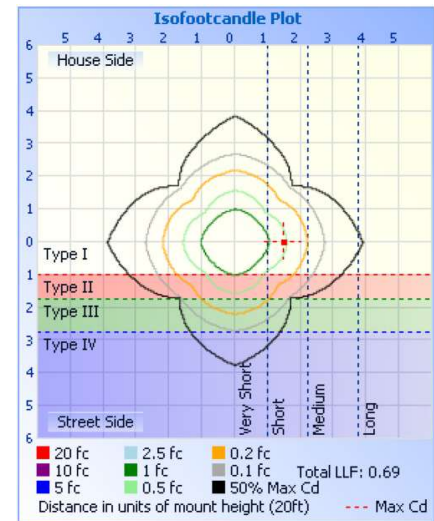
	Spec	LCM7-60W-CW
Electrical	Input Voltage	120~277V
	Input Power	60W
	Power Factor	> 0.9
Light Output	Total Lumens	7074 lm
	Efficacy	126 lm/W
	CRI	80+
	Color Temp.	5000K
	Distribution Type	TYPE VS
	Equivalent	175W
Physical	Housing	ADC 12 Die Cast Aluminum
	Finish	UV Resistant Bronze Powder Coat Finish
	Lens Material	High Light Transmittance Prismatic Polycarbonate Lens
	Ambient Operating Temp	-40°C / -40°F to 40°C / 104°F
Other	Mount	Ceiling, Pendant
	Certification	cULus E335594; DLC 5.1 Premium

### Dimensions



**A x B x C:**  
**60W: 10" x 10" x 3-1/4"**

### Photometrics



- ▶ Lifespan: **50,000 hrs**
- ▶ Beam Angle: **150° x 150°**
- ▶ Warranty: **5 Year Limited Warranty**
- ▶ **UL listed for Wet Location**
- ▶ Dimmable: **0-10V/PWM/VR**
- ▶ Accessories Sold Separately:  
 Motion Sensor: **LCM7-M**  
 Photocell



Item No.	Description	Std. Pkg.
LCM7-60W-CW	SLIM LED CANOPY MOTION SENSOR COMPATIBLE 60W 120~277V 5000K BRONZE	4



## LCM7 Series - 75W

### Descriptions

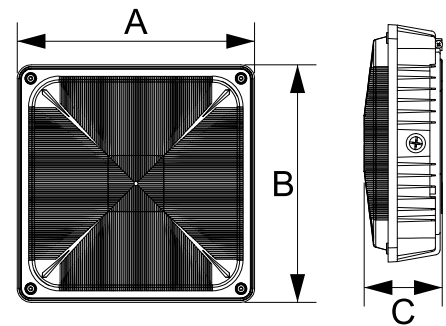
The LCM7 is a low-profile, ultra-light weight outdoor LED canopy light. The LCM7 housing is constructed of die cast aluminum, with a bronze powder coat finish for extra corrosion resistance. The hinged and removable mounting plate design provides quick and convenient installation, and labor savings. With motion sensor compatible, LCM7 series is ideal for parking garages, security lightings. UL Listed for Wet Locations. DLC 5.1 Premium Listed.



### General Specifications

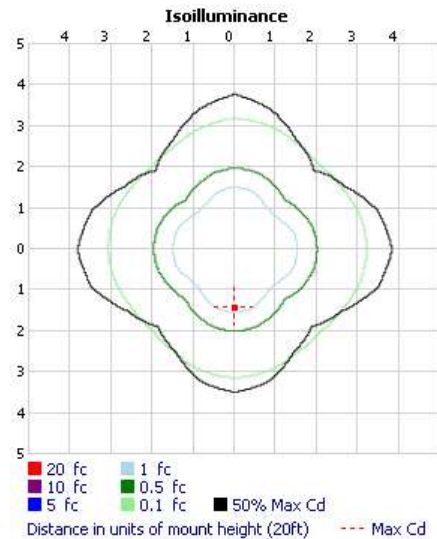
	Spec	LCM7-75W-CW
Electrical	Input Voltage	120~277V
	Input Power	75W
	Power Factor	> 0.9
Light Output	Total Lumens	9900 lm
	Efficacy	132 lm/W
	CRI	80+
	Color Temp.	5000K
	Distribution Type	TYPE VS
	Equivalent	250W
Physical	BUG	B3-U3-G2
	Housing	ADC 12 Die Cast Aluminum
	Finish	UV Resistant Bronze Powder Coat Finish
	Lens Material	High Light Transmittance Prismatic Polycarbonate Lens
	Ambient Operating Temp	-40°C / -40°F to 40°C / 104°F
Other	Mount	Ceiling, Pendant
	Certification	cULus E335594; DLC 5.1 Premium

### Dimensions



A x B x C:  
 75W: 10" x 10" x 3-1/4"

### Photometrics



- ▶ Lifespan: **50,000 hrs**
- ▶ Beam Angle: **150° x 150°**
- ▶ Warranty: **5 Year Limited Warranty**
- ▶ **UL listed for Wet Location**
- ▶ Dimmable: **0-10V/PWM/VR**
- ▶ Accessories Sold Separately:  
 Motion Sensor: **LCM7-M**  
 Photocell



Item No.	Description	Std. Pkg.
LCM7-75W-CW	SLIM LED CANOPY MOTION SENSOR COMPATIBLE 75W 120~277V 5000K BRONZE	4



## LWP2-30W

### Descriptions

The LWP2 is a traditionally designed LED Wall Pack ideal for commercial areas such as retail centers, loading docks, or warehouses. Its low power consumption makes it a perfect choice for customers looking to upgrade technology while keeping the same classic motif. UL listed for Wet Locations. Photocell Optional.

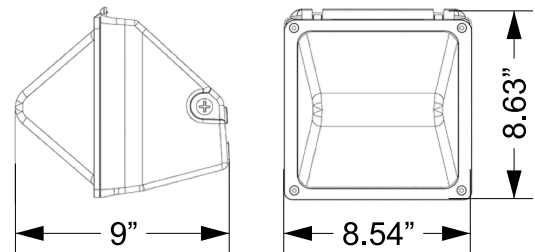


LWP2-30W-CW  
LWP2-30W-WW

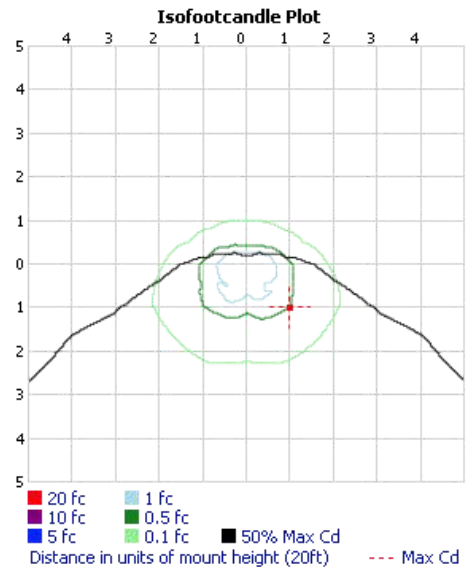
### General Specifications

	Spec	LWP2-30W-CW	LWP2-30W-WW
Electrical	Input Voltage	120~277V	
	Input Power	30W	
	Power Factor	> 0.9	
Light Output	Total Lumens	3316 lm	2591 lm
	Efficacy	110 lm/W	86 lm/W
	CRI	70+	80+
	Color Temp.	5000K	3000K
	BUG	B1-U3-G3	
	Distribution Type	TYPE IV Distribution	
Physical	Housing	ADC12 Die Cast Aluminum	
	Finish	UV Resistant Bronze Powder Coat Finish	
	Lens Material	Prismatic borosilicate molded lens with weatherproof gasket	
	Ambient Operating Temp	-20°C / -4°F to 40°C / 104°F	
	Mount	Wall Mount	
	Net Weight	2.26 KG	
Other	Certification	cULus E335594; DLC4.2	

### Dimensions



### Photometrics



- ▶ LED Brand: **Philips Lumileds**
- ▶ Lifespan: **50,000 hrs**
- ▶ Warranty: **5 Year Limited Warranty**
- ▶ **UL listed for Wet Location**
- ▶ Beam Angle: **120°**
- ▶ Photocell Optional



Item No.	Description	Std. Pkg.
LWP2-30W-CW	LED WALL PACK 30W 120~277V 5000K CW - BRONZE	4
LWP2-30W-WW	LED WALL PACK 30W 120~277V 3000K WW - BRONZE	4



## LWP4-50W

### Descriptions

The LWP4 is a traditionally designed LED Wall Pack ideal for commercial areas such as retail centers, loading docks, or warehouses. Its low power consumption makes it a perfect choice for customers looking to upgrade technology while keeping the same classic motif. UL listed for Wet Locations. DLC Premium Listed.

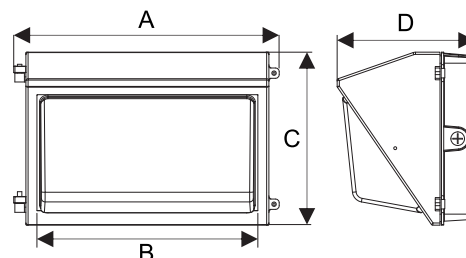


LWP4-50W-CW

### General Specifications

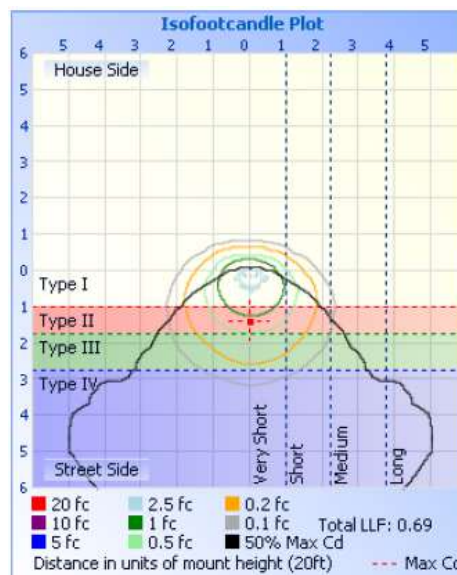
	Spec	LWP4-50W-CW
Electrical	Input Voltage	120~277V
	Input Power	50W
	Power Factor	> 0.9
Light Output	Total Lumens	7028 lm
	Efficacy	145 lm/W
	CRI	80
	Color Temp.	5000K
	BUG	B1-U4-G4
	Distribution Type	TYPE IV Distribution
Physical	Equivalent	175W
	Housing	ADC12 Die Cast Aluminum
	Finish	UV Resistant Bronze Powder Coat Finish
	Lens Material	Prismatic borosilicate molded lens with weatherproof gasket
	Ambient Operating Temp	-40°C / -40°F to 40°C / 104°F
Other	Mount	Wall Mount
	Net Weight	3.2 KG
	Certification	cULus E335594; DLC Premium

### Dimensions



**A x B x C x D:**  
**14-3/16" x 11-13/16" x 9-5/16" x 7-3/8"**

### Photometrics



- ▶ LED Brand: **Philips Lumileds**
- ▶ Lifespan: **50,000 hrs**
- ▶ Warranty: **5 Year Limited Warranty**
- ▶ **UL listed for Wet Location**
- ▶ Beam Angle: **105°**
- ▶ Photocell Optional



Item No.	Description	Std. Pkg.
LWP4-50W-CW	LED WALL PACK 50W 120~277V 5000K CW - BRONZE	1



## LWP4-80W

### Descriptions

The LWP4 is a traditionally designed LED Wall Pack ideal for commercial areas such as retail centers, loading docks, or warehouses. Its low power consumption makes it a perfect choice for customers looking to upgrade technology while keeping the same classic motif. UL listed for Wet Locations. DLC Premium Listed.

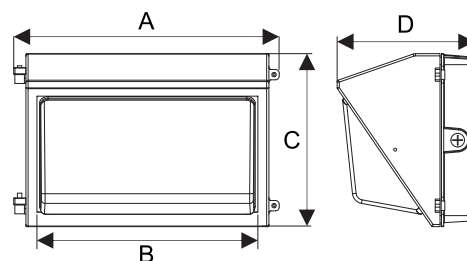


LWP4-80W-CW

### General Specifications

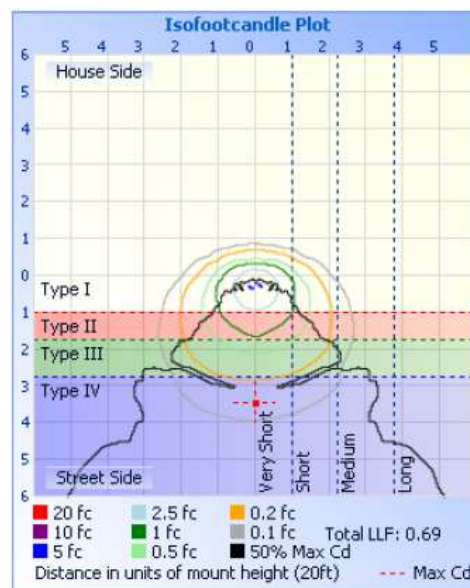
	Spec	LWP4-80W-CW
Electrical	Input Voltage	120~277V
	Input Power	80W
	Power Factor	> 0.9
Light Output	Total Lumens	11143 lm
	Efficacy	143 lm/W
	CRI	80
	Color Temp.	5000K
	BUG	B2-U5-G5
	Distribution Type	TYPE IV Distribution
Physical	Equivalent	250W
	Housing	ADC12 Die Cast Aluminum
	Finish	UV Resistant Bronze Powder Coat Finish
	Lens Material	Prismatic borosilicate molded lens with weatherproof gasket
	Ambient Operating Temp	-40°C / -40°F to 40°C / 104°F
Other	Mount	Wall Mount
	Net Weight	3.67 KG
	Certification	cULus E335594; DLC Premium

### Dimensions



**A x B x C x D:**  
**14-3/16" x 11-13/16" x 9-5/16" x 7-3/8"**

### Photometrics



- ▶ LED Brand: **Philips Lumileds**
- ▶ Lifespan: **50,000 hrs**
- ▶ Warranty: **5 Year Limited Warranty**
- ▶ **UL listed for Wet Location**
- ▶ Beam Angle: **95°**
- ▶ Photocell Optional
- ▶ Dimmable to 10%



Item No.	Description	Std. Pkg.
LWP4-80W-CW	LED WALL PACK 80W 120~277V 5000K CW - BRONZE	1



## LWP3 50W

### Descriptions

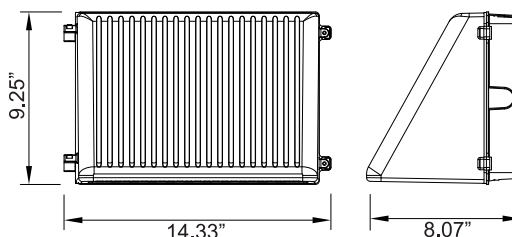
The LWP3 is an outdoor full cutoff LED wall pack that is equivalent up to 250W pulse start metal halide (PSMH). The LWP3 Series provides highly effective illumination for outdoor hotels, garages, warehouses, public spaces, schools and universities, and hospitals. The LWP3 Series LED wallpack housing is constructed of die cast aluminum, and features a ribbed forward housing for superior heat dissipation. The Type III polycarbonate lens is fully gasketed for weathertight protection, and produces a filling 40° light flow forward of the fixture. A 120V or 277V Photocell is optional. DLC Listed. UL Listed for Wet Locations.



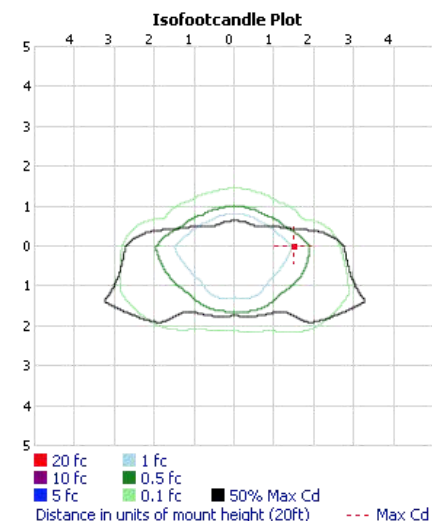
### General Specifications

	Spec	LWP3-50W-CW
Electrical	Input Voltage	120~277V
	Input Power	50W
	Power Factor	> 0.9
Light Output	Total Lumens	5591 lm
	Efficacy	123 lm/W
	CRI	80+
	Color Temp.	5000K
	BUG	B3-U2-G3
	Distribution Type	TYPE III
	Equivalent	175W
Physical	Housing	Die Cast Aluminum
	Finish	UV Resistant Bronze Powder Coat Finish
	Lens Material	High Light Transmittance Polycarbonate Lens with Weatherproof Gasket
	Ambient Operating Temp	-20°C / -4°F to 40°C / 104°F
	Mount	Wall Mount
Other	Certification	cULus E335594; DLC

### Dimensions



### Photometrics



- ▶ LED Brand: **Philips Lumileds**
- ▶ Lifespan: **50,000 hrs**
- ▶ Warranty: **5 Year Limited Warranty**
- ▶ **UL listed for Wet Location**
- ▶ Beam Angle: **80x140°**
- ▶ Photocell Optional



Item No.	Description	Std. Pkg.
LWP3-50W-CW	FULL CUTOFF LED WALLPACK 50W 120~277V 5000K CW COOL WHITE - BRONZE	1



## LWP3 80W

### Descriptions

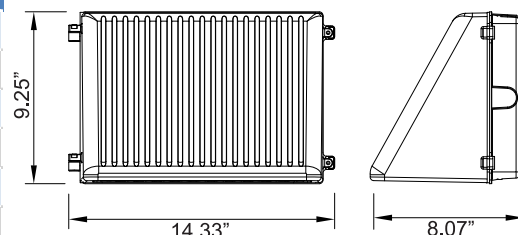
The LWP3 is an outdoor full cutoff LED wall pack that is equivalent up to 250W pulse start metal halide (PSMH). The LWP3 Series provides highly effective illumination for outdoor hotels, garages, warehouses, public spaces, schools and universities, and hospitals. The LWP3 Series LED wallpack housing is constructed of die cast aluminum, and features a ribbed forward housing for superior heat dissipation. The Type III polycarbonate lens is fully gasketed for weathertight protection, and produces a filling 40° light flow forward of the fixture. A 120V or 277V Photocell is optional. DLC Listed. UL Listed for Wet Locations.



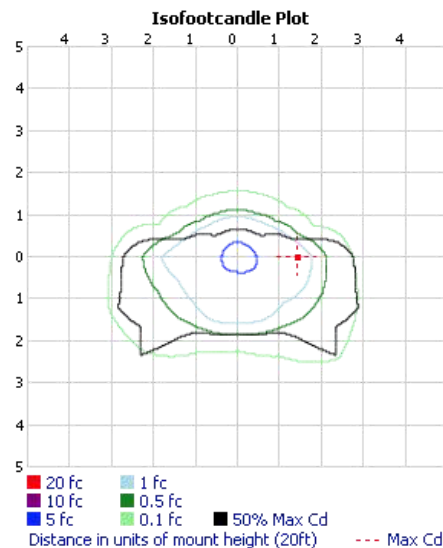
### General Specifications

	Spec	LWP3-80W-CW
Electrical	Input Voltage	120~277V
	Input Power	80W
	Power Factor	> 0.9
Light Output	Total Lumens	9032 lm
	Efficacy	113 lm/W
	CRI	80+
	Color Temp.	5000K
	BUG	B3-U2-G3
	Distribution Type	TYPE III
Physical	Equivalent	250W
	Housing	Die Cast Aluminum
	Finish	UV Resistant Bronze Powder Coat Finish
	Lens Material	High Light Transmittance Polycarbonate Lens with Weatherproof Gasket
	Ambient Operating Temp	-20°C / -4°F to 40°C / 104°F
Other	Mount	Wall Mount
	Certification	cULus E335594; DLC

### Dimensions



### Photometrics



- ▶ LED Brand: **Philips Lumileds**
- ▶ Lifespan: **50,000 hrs**
- ▶ Warranty: **5 Year Limited Warranty**
- ▶ **UL listed for Wet Location**
- ▶ Beam Angle: **80x140°**
- ▶ Photocell Optional
- ▶ Dimmable to 10%



Item No. Description Std. Pkg.

LWP3-80W-CW FULL CUTOFF LED WALLPACK 80W 120~277V 5000K CW COOL WHITE - BRONZE 1





## LP741-30W-P-CW



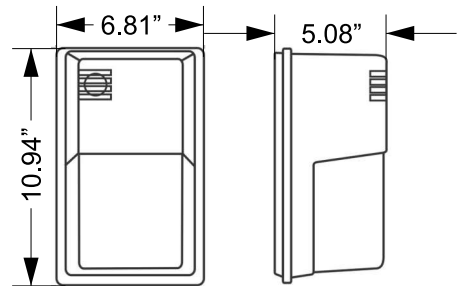
### Descriptions

LP741 is a powerful energy conserving wallpack for everyday outdoor uses. Its die cast design as well as low power consumption provide a long reliable service in wet locations. UL listed for Wet Locations. DLC 5.1 listed.

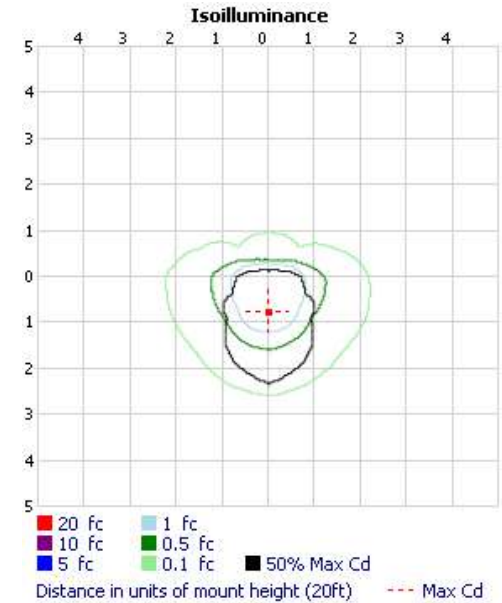
### General Specifications

	Spec	LP741-30W-P-CW
Electrical	Input Voltage	120~277V
	Input Power	30W
	Power Factor	> 0.9
Light Output	Total Lumens	3537 lm
	Efficacy	118 lm/W
	CRI	70+
	Color Temp.	5000K
	BUG	B1-U3-G1
	Distribution Type	TYPE IV
Physical	Equivalent	100W
	Housing	ADC12 Die Cast Aluminum
	Finish	UV Resistant Bronze Powder Coat Finish
	Lens Material	High Light Transmittance Polycarbonate Lens with Weatherproof Gasket
	Ambient Operating Temp	-40°C / -40°F to 40°C / 104°F
Other	Mount	Wall Mount
	Net Weight	1.6 KG
	Certification	cULus E335594; DLC 5.1

### Dimensions



### Photometrics



- ▶ Lifespan: **50,000 hrs**
- ▶ Beam Angle: **70° x 75°**
- ▶ Warranty: **5 Year Limited Warranty**
- ▶ Dimmable: **0-10V**
- ▶ **UL listed for Wet Location**
- ▶ Built-In Photocell



Item No.	Description	Std. Pkg.
LP741-30W-P-CW	LED WALLPACK 30W 120~277V 5000K Cool White -Bronze, with Photocell	6



## LWP25 12W

### Descriptions

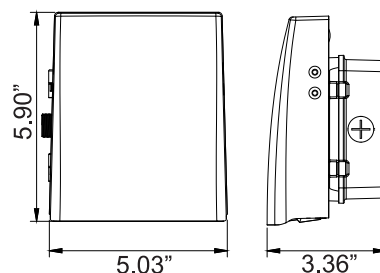
The LWP25 is a slim architectural LED wall pack with a unique pivoting head, which adjusts from 0° to 90° angles. The LWP25's adjustable head allows users to aim light precisely before and after installation. Ideal for illuminating outdoor walkways, landscapes and building perimeters. The LWP25 LED wallpack is also easy to install, and fastens to most 3O or 4O junction boxes. A 120V or 277V Photocell is optional. DLC Listed. UL Listed for Wet Locations.



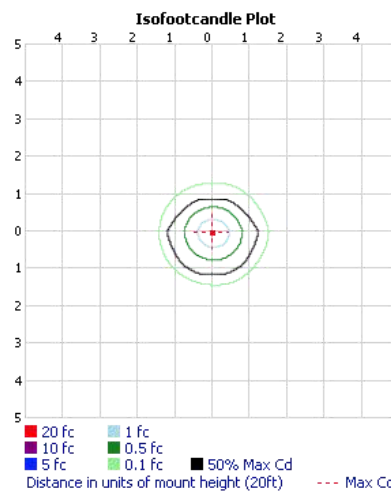
### General Specifications

	Spec	LWP25-12W-CW	LWP25-12W-WW
Electrical	Input Voltage	120~277V	
	Input Power	12W	
	Power Factor	> 0.9	
Light Output	Total Lumens	1280 lm	1211 lm
	Efficacy	103 lm/W	98 lm/W
	CRI	80+	
	Color Temp.	5000K	3000K
	BUG	B1-U0-G0	B1-U0-G0
	Distribution Type	TYPE II	TYPE II
Physical	Equivalent	50W	50W
	Housing	ADC12 Die Cast Aluminum	
	Finish	UV Resistant Bronze Powder Coat Finish	
	Lens Material	High Light Transmittance Polycarbonate Lens with Weatherproof Gasket	
Other	Ambient Operating Temp	-20°C / -4°F to 40°C / 104°F	
	Mount	Wall Mount	
Other	Certification	cULus E335594; DLC	

### Dimensions



### Photometrics



- ▶ LED Brand: **Philips Lumileds**
- ▶ Lifespan: **50,000 hrs**
- ▶ Warranty: **5 Year Limited Warranty**
- ▶ **UL listed for Wet Location**
- ▶ Beam Angle: **80x100°**
- ▶ Photocell Optional
- ▶ 0-90° Adjustable



Item No.	Description	Std. Pkg.
LWP25-12W-CW	SLIM CUTOFF LED WALLPACK 12W 120~277V 5000K CW COOL WHITE - BRONZE	12
LWP25-12W-WW	SLIM CUTOFF LED WALLPACK 12W 120~277V 3000K WW WARM WHITE- BRONZE	12



## LWP25 30W

### Descriptions

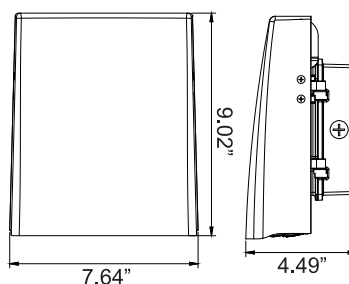
The LWP25 is a slim architectural LED wall pack with a unique pivoting head, which adjusts from 0° to 90° angles. The LWP25's adjustable head allows users to aim light precisely before and after installation. Ideal for illuminating outdoor walkways, landscapes and building perimeters. The LWP25 LED wallpack is also easy to install, and fastens to most 30 or 40 junction boxes. A 120V or 277V Photocell is optional. DLC Listed. UL Listed for Wet Locations.

### General Specifications

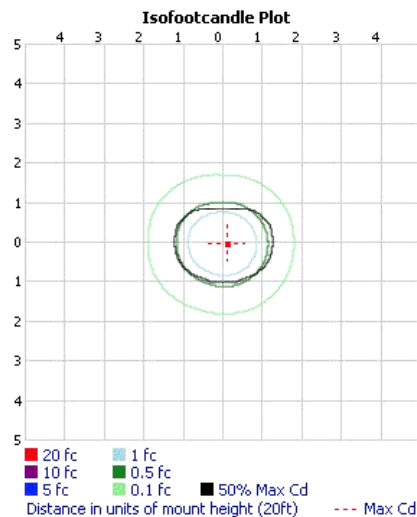
	Spec	LWP25-30W-CW
Electrical	Input Voltage	120~277V
	Input Power	30W
	Power Factor	> 0.9
Light Output	Total Lumens	3214 lm
	Efficacy	116 lm/W
	CRI	80+
	Color Temp.	5000K
	BUG	B2-U0-G1
	Distribution Type	TYPE I
Physical	Equivalent	100W
	Housing	ADC12 Die Cast Aluminum
	Finish	UV Resistant Bronze Powder Coat Finish
	Lens Material	High Light Transmittance Polycarbonate Lens with Weatherproof Gasket
	Ambient Operating Temp	-20°C / -4°F to 40°C / 104°F
Other	Mount	Wall Mount
Other	Certification	cULus E335594; DLC



### Dimensions



### Photometrics



- ▶ LED Brand: **Philips Lumileds**
- ▶ Lifespan: **50,000 hrs**
- ▶ Warranty: **5 Year Limited Warranty**
- ▶ **UL listed for Wet Location**
- ▶ Beam Angle: **80x100°**
- ▶ Photocell Optional
- ▶ 0-90° Adjustable



Item No.	Description	Std. Pkg.
LWP25-30W-CW	SLIM CUTOFF LED WALLPACK 30W 120~277V 5000K CW COOL WHITE - BRONZE	4



## LTL-60W, 100W, 150W

### Descriptions

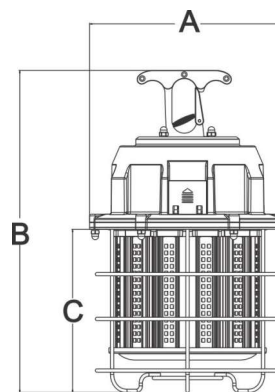
Orbit industries' LED Temporary Work Light (LTL Series) is an energy efficiency solution for a wide range of construction jobsites. UL Listed for Damp Locations (IP63), the LTL Series has stainless steel cage and hook to ensure durability in heavy duty construction environments. With a 10ft male plug cord and hidden socket, the LTL Series can connect up to 14pcs of 60W fixtures, 8pcs of 100W fixtures, 5pcs of 150W fixtures, or a combination of the three, not exceeding 900W at the same time. UL Listed.



### General Specifications

	Spec	LTL-60W-CW	LTL-100W-CW	LTL-150W-CW
Electrical	Input Voltage	120~277V	120~277V	120~277V
	Input Power	60W	100W	150W
	Power Factor	> 0.9	> 0.9	> 0.9
Light Output	Total Lumens	7200 lm	12000 lm	18000 lm
	Efficacy	120 lm/W	120 lm/W	120 lm/W
	CRI	80+	80+	80+
	Color Temp.	5000K	5000K	5000K
	Surge Voltage	6KV	6KV	10KV
Physical	Equivalent	250W	400W	600W
	Housing	Stainless Steel Lamp Cage		
	Wiring	3 Prong, Male Plug with 10FT 18AWG Cord 3 Prong, hidden built-in Socket		
	Ambient Operating Temp	-40°C / -40°F to 60°C / 140°F		
	Mount	Stainless Steel Portable Hook with flexible spring		
Other	Optional Bracket:	Floor Stand Bracket: LTL-FS Tripod Stand Bracket: LTL-TS		
	Net Weight	2 KG	2.7 KG	3 KG
	Certification	cULus E503394	cULus E503394	cULus E503394

### Dimensions

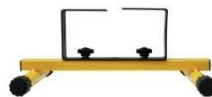


**LTL-60W-CW:**  
 A x B x C: 6-1/2" x 10-3/4" x 5-1/8"  
**LTL-100W-CW:**  
 A x B x C: 6-1/2" x 11-5/16" x 5-11/16"  
**LTL-150W-CW:**  
 A x B x C: 6-1/2" x 12-11/16" x 7-1/16"

- ▶ Lifespan: **50,000 hrs**
- ▶ Warranty: **5 Year Limited Warranty**
- ▶ Beam Angle: **313°**
- ▶ Floor Stand Bracket Optional: **LTL-FS**
- ▶ Tripod Stand Bracket Optional: **LTL-TS**
- ▶ UL Listed for Damp Location (IP63)



**LTL-TS**  
(Sold Separately)



**LTL-FS**  
(Sold Separately)



Item No.	Description	Std. Pkg.
LTL-60W-CW	LED TEMP. LIGHT, 10FT MALE PLUG, FEMALE RECEP., 60W, 5000K	4
LTL-100W-CW	LED TEMP. LIGHT, 10FT MALE PLUG, FEMALE RECEP., 100W, 5000K	4
LTL-150W-CW	LED TEMP. LIGHT, 10FT MALE PLUG, FEMALE RECEP., 150W, 5000K	4
LTL-TS	TRIPOD STAND BRACKET FOR LTL SERIES	8
LTL-FS	FLOOR STAND BRACKET FOR LTL SERIES	8

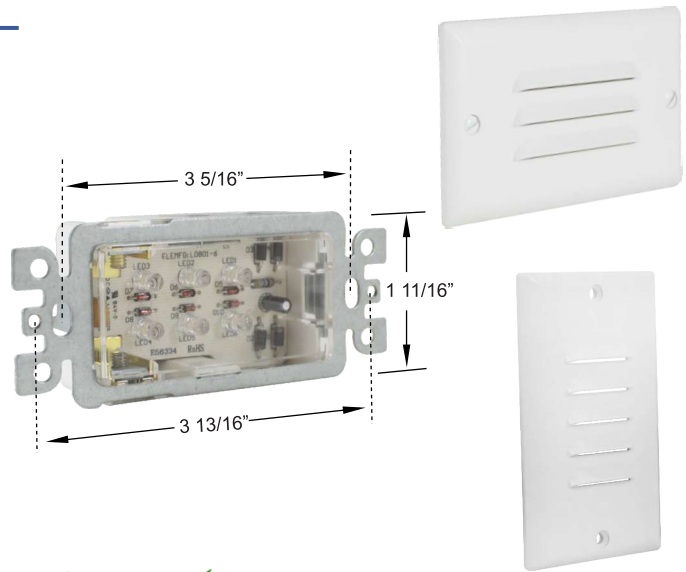


## LISL-1W-WH

### LED INDOOR STEP LIGHTS

#### General Specifications

- ▶ 120V 60Hz 25mA
- ▶ 1W Input Power
- ▶ Color Temp: 3000K
- ▶ 50,000 Life Hours
- ▶ Installation hardware included
- ▶ Installs into single gang switch boxes
- ▶ Set of White Louvered Cover included, Horizontal & Vertical



#### Optional Covers



- ▶ Set includes both Vertical & Horizontal Plate
- ▶ Sold Separately



**LISL-C-SS**  
Stainless Steel

**LISL-C-BS**  
Brass



**LISL-C-AL**  
Almond

**LISL-C-BK**  
Black

**LISL-C-BR**  
Bronze



## LFL20-6W 12V

### Descriptions

The LFL20 Series is a powerful LED Bullet Flood Light ideal for various outdoor applications. Its UV Resistant, Die Cast design as well as low power consumption provide an ultra-bright and long reliable service in wet locations.

### General Specifications

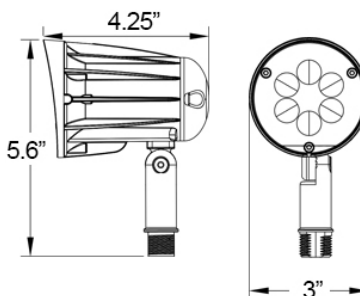
	Spec	LFL20-6CW-KN-12V	LFL20-6WW-KN-12V
Electrical	Input Voltage	12V	
	Input Power	6W	
	Power Factor	> 0.9	
Light Output	Total Lumens	560 lm	510 lm
	Efficacy	107 lm/W	98 lm/W
	CRI	80+	80+
	Color Temp.	5000K	3000K
	BUG	B1-U1-G0	B1-U1-G0
	Distribution Type	TYPE VS	TYPE VS
Physical	Equivalent	35W	35W
	Housing	ADC12 Die Cast Aluminum	
	Finish	UV Resistant Bronze Powder Coat Finish	
	Lens Material	High Light Transmittance Polycarbonate Lens with Weatherproof Gasket	
Other	Ambient Operating Temp	-20°C / -4°F to 40°C / 104°F	
	Mount	1/2" Adjustable Knuckle Mount Spike Included	
Other	Certification	ETL	

- ▶ LED Brand: **BRIDGELUX**
- ▶ Lifespan: **50,000 hrs**
- ▶ Warranty: **3 Year Limited Warranty**
- ▶ **IP65 listed for Wet Locations**
- ▶ Beam Angle: **60°**

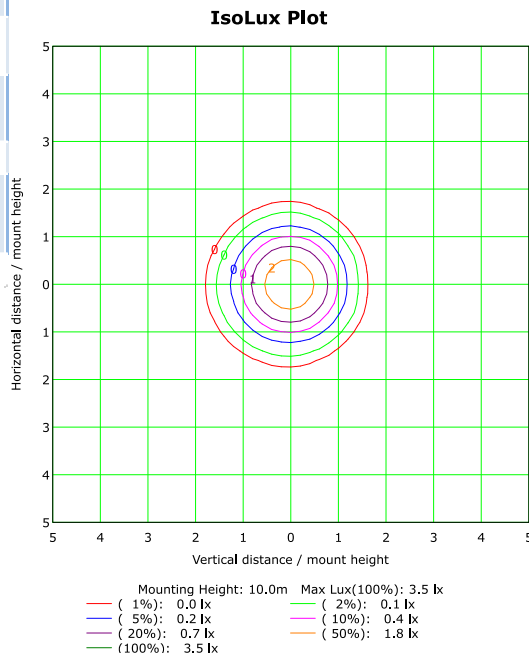


LFL20-6CW-KN-12V  
LFL20-6WW-KN-12V

### Dimensions



### Photometrics



Item No.	Description	Std. Pkg.
LFL20-6CW-KN-12V	LED BULLET FLOOD LIGHT W/ KNUCKLE 6W 12V 5000K CW- BR	12
LFL20-6WW-KN-12V	LED BULLET FLOOD LIGHT W/ KNUCKLE 6W 12V 3000K WW- BR	12



# LSL12

## Descriptions

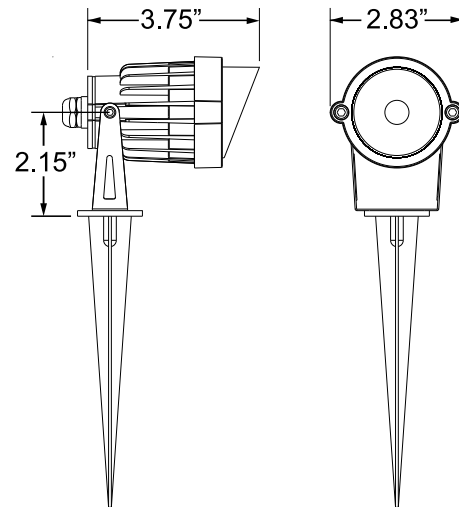
Orbit Industries provides the LSL12, a powerful energy conserving spot light for everyday outdoor uses. Its die cast design as well as low power consumption provide a long reliable service in wet locations.

## General Specifications

	Spec	LSL12-6W-WW	LSL12-6W-CW
Electrical	Input Voltage	12V	
	Input Power	6W	
Light Output	Total Lumens	350 lm	350 lm
	Efficacy	58 lm/W	58 lm/W
	Color Temp.	3000K	5000K
	Equivalent	20W	20W
Physical	Housing	Aluminum Alloy	
	Finish	UV Resistant Bronze Powder Coat Finish	
	Lens Material	Tempered Glass with High Grade Weatherproof Silicone Gasket	
	Min Operating Temp	-20°C / -4°F	
	Mount	Trunion Mount Spike Included	
Other	Certification	ETL	



## Dimensions



- ▶ LED Brand: **EPISTAR**
- ▶ Lifespan: **50,000 hrs**
- ▶ Warranty: **1 Year Limited Warranty**
- ▶ **Suit for Wet Locations**
- ▶ Pre-wired with 18" SJTW Cord



Item No.	Description	Std. Pkg.
LSL12-6W-WW	LED SPOT LIGHT 6W 12V AC/DC 3000K Warm White -Bronze	20
LSL12-6W-CW	LED SPOT LIGHT 6W 12V AC/DC 5000K Cool White -Bronze	20



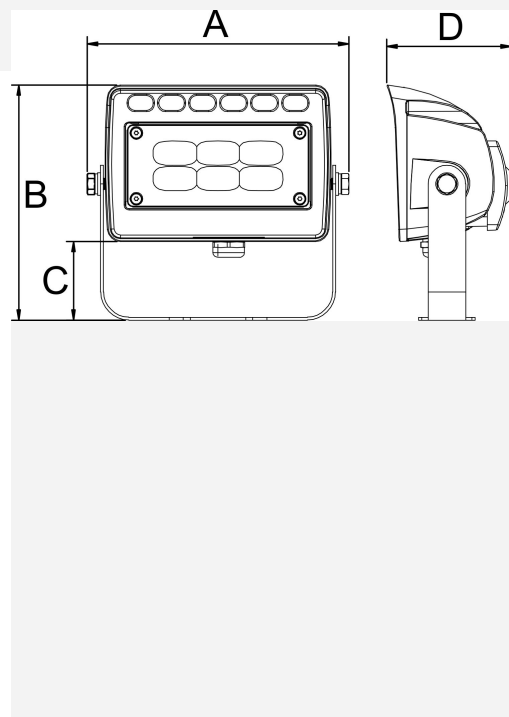


**Catalog#: LFL13-12V**  
**12V 12W LOW VOLTAGE LED FLOOD LIGHT, BRONZE**

**Category** LED  
**Page** [113](#)

**Specifications:**

Voltage: 12V  
 Power Factor: > 0.9  
 Housing: ADC12 Die Cast Aluminum  
 Finish: UV Resistant Bronze Powder Coat Finish  
 Lens Material: High Light Transmittance Polycarbonate Lens with Weatherproof Gasket  
 Ambient Operating Temp: -20°C / -4°F to 40°C / 104°F  
 Mount: Trunnion Mount  
 Life Hours: 50,000  
 Warranty: 3 Year Limited Warranty  
 IP65 Listed for Wet Locations



**Dimensions**

LFL13-12WW-T-12V: (A) 5-1/2" x (B) 4-15/16" x (C) 1-2/3" x (D) 2-3/5"

**Certifications**



Catalog Number	UPC	System Wattage	Efficacy	Color Temp	Emission Color	Lumens	CRI	PF	Wattage Equivalent
LFL13-12WW-T-12V	615624011747	12W	102 lm/W	3000K	Warm White	1270 lm	83	0.9+	50W MH






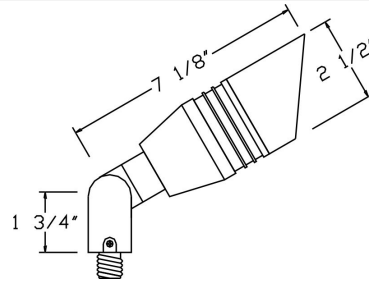


**Catalog#: LS121**  
**LED OUTDOOR CAST ALUMINUM DIRECTIONAL LIGHT BULLET - 12V**

**Category** LED

**Specifications:**

Material	Cast Aluminum
Voltage	12 Volts
Wattage	5W
Lamp type	<a href="#">LMR16 5W</a> Lamp Included
Socket	Premium grade Porcelain socket with Nickel contacts and Teflon-jacketed wire leads
Gasket	Sealed with high grade weatherproof Silicone Gasket
Wiring	Pre-wired with 24" SPT-1 Cord
Accessories	GS-85 PVC Spike CO-3 Connector
Document	<a href="#">Installation Instructions</a>
Certifications	



Cat. No.	Finishes	Color Temp
LS121-BK-5-WW	Black	<b>WW</b> (3000K)
LS121-BR-5-WW	Bronze	<b>WW</b> (3000K)






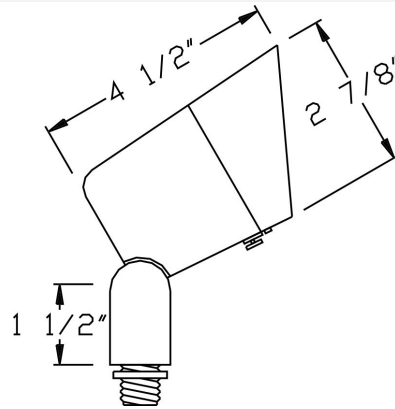
**Catalog#: LS126**

**LED OUTDOOR CAST ALUMINUM DIRECTIONAL LIGHT- 5W, 12V**

**Category** LED

**Specifications:**

- Material: Cast Aluminum
- Voltage: 12 Volts
- Lamp type: [LMR16 5W](#) Lamp Included
- Lens type: Convex Tempered Glass Lens
- Socket: Premium grade Porcelain socket with Nickel contacts and Teflon-jacketed wire leads
- Gasket: Sealed with high grade weatherproof Silicone Gasket
- Wiring: Pre-wired with 24" SPT-1 Cord
- Accessories: GS-85 PVC Spike  
[SWN-BK](#) Silicone Wire Nuts
- Document: [Installation Instructions](#)
- Certifications: 



Cat. No.	Finishes	Wattage	Color Temp
LS126	BK (Black) BR (Bronze ) RU (Rust ) SA (Sand) GN (Green) VG (Verde Green)	5W	WW (3000K)
			CW (5000K)

\*Sample Part No.: LS126-RU-5-WW

\*LS126-RU-5-WW While Supplies Last





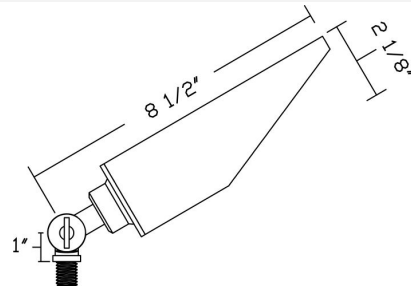
**Catalog#: LB150SH**

**LED OUTDOOR SOLID BRASS DIRECTIONAL LIGHT BULLET - 12V**

**Category** LED  
**Page** [44](#) (LED Catalog)

**Specifications:**

**Material** Solid Brass  
**Voltage** 12 Volts  
**Lamp type** [LMR16 3W](#) or [LMR16 6W](#) Lamp Included  
**Lens type** Convex Tempered Glass Lens  
**Socket** Premium grade Porcelain socket with Nickel contacts and Teflon-jacketed wire leads  
**Gasket** Sealed with high grade weatherproof Silicone Gasket  
**Wiring** Pre-wired with 24" SPT-1 Cord  
**Accessories** Adjustable Key Knuckle  
 GS-85 PVC Spike  
 CO-3 Connector  
**Warranty** 1 Year Warranty  
**Life Hours** 50,000  
**Document** [Installation Instructions](#)  
**Certifications**



Cat. No.	Finishes	Wattage	Color Temp
LB150SH	ARB (Architectural Bronze)	3W	WW (3000K)
		6W	CW (4700K)

\*Sample Part No.: LB150SH-ARB-6-WW





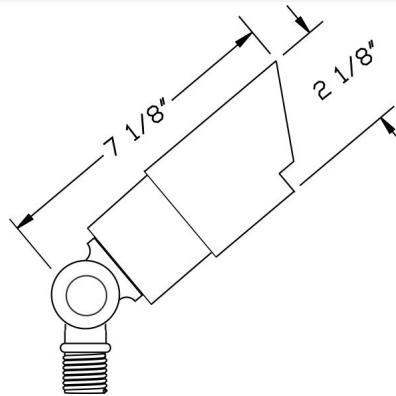
**Catalog#: LB151**

**LED OUTDOOR SOLID BRASS DIRECTIONAL LIGHT BULLET - 12V**

**Category** LED  
**Page** [45](#) (LED Catalog)

**Specifications:**

**Material** Solid Brass  
**Voltage** 12 Volts  
**Lamp type** [LMR16 3W](#) or [LMR16 6W](#) Lamp Included  
**Lens type** Convex Tempered Glass Lens  
**Socket** Premium grade Porcelain socket with Nickel contacts and Teflon-jacketed wire leads  
**Gasket** Sealed with high grade weatherproof Silicone Gasket  
**Wiring** Pre-wired with 24" SPT-1 Cord  
**Accessories** Adjustable Knuckle  
 GS-85 PVC Spike  
 CO-3 Connector  
**Warranty** 1 Year Warranty  
**Life Hours** 50,000  
**Document** [Installation Instructions](#)  
**Certifications**



Cat. No.	Finishes	Wattage	Color Temp
LB151	ARB (Architectural Bronze)	3W	WW (3000K)
		6W	CW (4700K)

\*Sample Part No.: LB151-ARB-3-CW





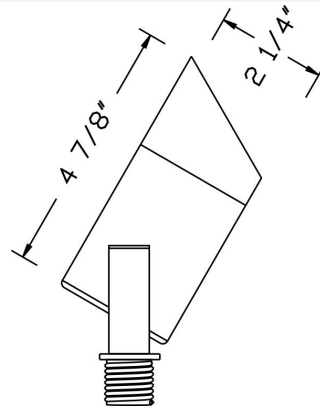
**Catalog#: LB152**

**LED OUTDOOR SOLID BRASS DIRECTIONAL LIGHT BULLET - 12V**

**Category** LED  
**Page** [46](#) (LED Catalog)

**Specifications:**

**Material** Solid Brass  
**Voltage** 12 Volts  
**Lamp type** [LMR16 3W](#) or [LMR16 6W](#) Lamp Included  
**Lens type** Convex Tempered Glass Lens  
**Socket** Premium grade Porcelain socket with Nickel contacts and Teflon-jacketed wire leads  
**Gasket** Sealed with high grade weatherproof Silicone Gasket  
**Wiring** Pre-wired with 24" SPT-1 Cord  
**Accessories** GS-85 PVC Spike  
 CO-3 Connector  
**Warranty** 1 Year Warranty  
**Life Hours** 50,000  
**Document** [Installation Instructions](#)  
**Certifications**



Cat. No.	Finishes	Wattage	Color Temp
LB152	ARB (Architectural Bronze)	3W	WW (3000K)
		6W	CW (4700K)

\*Sample Part No.: LB152-ARB-3-CW





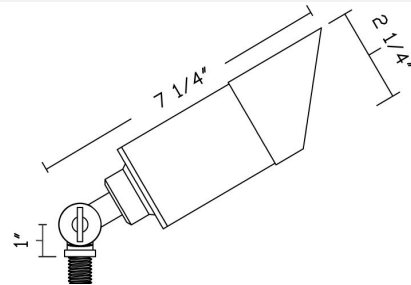
**Catalog#: LB160SH**

**LED OUTDOOR CAST BRASS DIRECTIONAL LIGHT BULLET - 12V**

**Category** LED  
**Page** [47](#) (LED Catalog)

**Specifications:**

**Material** Solid Brass  
**Voltage** 12 Volts  
**Lamp type** [LMR16 3W](#) or [LMR16 6W](#) Lamp Included  
**Lens type** Convex Tempered Glass Lens  
**Socket** Premium grade Porcelain socket with Nickel contacts and Teflon-jacketed wire leads  
**Gasket** Sealed with high grade weatherproof Silicone Gasket  
**Wiring** Pre-wired with 24" SPT-1 Cord  
**Accessories** Adjustable Key Knuckle  
 GS-85 PVC Spike  
 CO-3 Connector  
**Warranty** 1 Year Warranty  
**Life Hours** 50,000  
**Document** [Installation Instructions](#)  
**Certifications**



Cat. No.	Finishes	Wattage	Color Temp
LB160SH	ARB (Architectural Bronze)	3W	WW (3000K)
		6W	CW (4700K)

\*Sample Part No.: LB160SH-ARB-6-CW





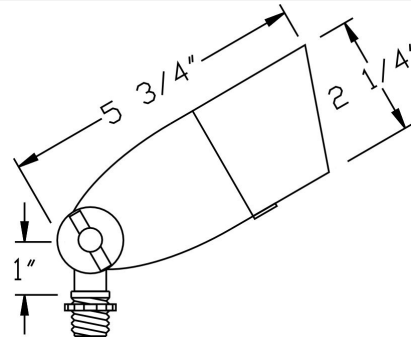
**Catalog#: LB171**

**LED OUTDOOR CAST BRASS DIRECTIONAL LIGHT BULLET - 12V**

**Category** LED

**Specifications:**

Material	Cast Brass
Voltage	12 Volts
Lamp type	<a href="#">LMR16 5W</a> or <a href="#">LMR16 3W</a> Lamp Included
Lens type	Convex Tempered Glass Lens
Socket	Premium grade Porcelain socket with Nickel contacts and Teflon-jacketed wire leads
Gasket	Sealed with high grade weatherproof Silicone Gasket
Wiring	Pre-wired with 24" SPT-1 Cord
Accessories	Adjustable Key Knuckle GS-85 PVC Spike <a href="#">SWN-BK</a> Silicone Wire Nuts
Warranty	1 Year Warranty
Life Hours	50,000
Document	<a href="#">Installation Instructions</a>
Certifications	



Cat. No.	Finishes	Wattage	Color Temp
LB171	AB (Antique Brass) AZ (Antique Bronze)	3W	WW (3000K)
	ARB (Architectural Bronze) AG (Aged Green)	6W	CW (4700K)

\*Sample Part No.: LB171-AZ-3-CW

\*LB171-AG-6-CW, LB171-AG-6-WW While Supplies Last





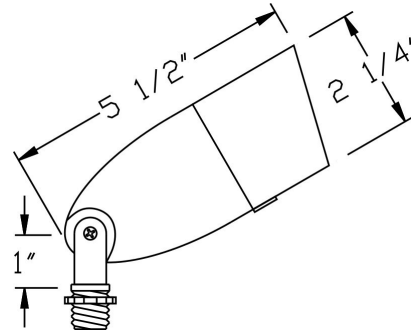
**Catalog#: L1071**

**LED OUTDOOR CAST ALUMINUM DIRECTIONAL LIGHT BULLET - 12V**

**Category** LED  
**Page** [49](#) (LED Catalog)

**Specifications:**

**Material** Cast Aluminum  
**Voltage** 12 Volts  
**Lamp type** [LMR16 3W](#) or [LMR16 6W](#) Lamp Included  
**Lens type** Tempered Glass Lens  
**Socket** Premium grade Porcelain socket with Nickel contacts and Teflon-jacketed wire leads  
**Gasket** Sealed with high grade weatherproof Silicone Gasket  
**Wiring** Pre-wired with 24" SPT-1 Cord  
**Accessories** GS-85 PVC Spike  
 CO-3 Connector  
**Warranty** 1 Year Warranty  
**Life Hours** 50,000  
**Document** [Installation Instructions](#)  
**Certifications**



Cat. No.	Finishes	Wattage	Color Temp
L1071	BK (Black) BR (Bronze) WH (White)	3W	WW (3000K)
		6W	CW (4700K)

\*Sample Part No.: L1071-BK-6-CW









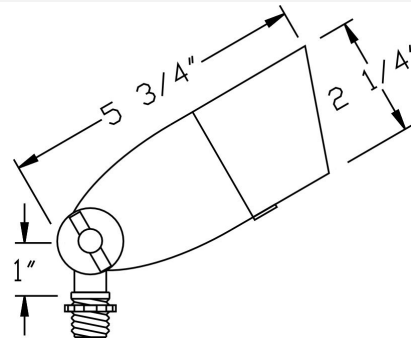
**Catalog#: L1081**

**LED OUTDOOR CAST ALUMINUM DIRECTIONAL LIGHT BULLET - 12V**

**Category** LED

**Specifications:**

Material	Cast Aluminum
Voltage	12 Volts
Lamp type	<a href="#">LMR16 5W</a> or <a href="#">LMR16 3W</a> Lamp Included
Lens type	Convex Tempered Glass Lens
Socket	Premium grade Porcelain socket with Nickel contacts and Teflon-jacketed wire leads
Gasket	Sealed with high grade weatherproof Silicone Gasket
Wiring	Pre-wired with 24" SPT-1 Cord
Accessories	Adjustable Key Knuckle GS-85 PVC Spike <a href="#">SWN-BK</a> Silicone Wire Nuts
Warranty	1 Year Warranty
Life Hours	50,000
Document	<a href="#">Installation Instructions</a>
Certifications	 



Cat. No.	Finishes	Wattage	Color Temp
L1081	BK (Black) BR (Bronze) VG (Verde Green)	3W	WW (3000K)
		6W	CW (4700K)

\*Sample Part No.: L1081-VG-6-WW

\* L1081-VG-6-CW, L1081-VG-6-WW While Supplies Last





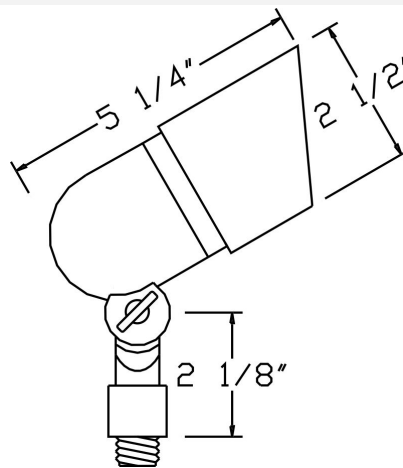
**Catalog#: LS131**

**LED OUTDOOR CAST ALUMINUM DIRECTIONAL LIGHT BULLET - 12V**

**Category** LED  
**Page** [51](#) (LED Catalog)

**Specifications:**

**Material** Cast Aluminum  
**Voltage** 12 Volts  
**Lamp type** [LMR16 3W](#) or [LMR16 6W](#) Lamp Included  
**Lens type** Convex Tempered Glass Lens  
**Socket** Premium grade Porcelain socket with Nickel contacts and Teflon-jacketed wire leads  
**Gasket** Sealed with high grade weatherproof Silicone Gasket  
**Wiring** Pre-wired with 24" SPT-1 Cord  
**Accessories** Spring-Mounted Directional Mount  
 Adjustable Key Knuckle  
 GS-85 PVC Spike  
 CO-3 Connector



**Warranty** 1 Year Warranty  
**Life Hours** 50,000  
**Document** [Installation Instructions](#)

**Certifications**



Cat. No.	Finishes	Wattage	Color Temp
LS131	<b>BK</b> (Black) <b>BR</b> (Bronze) <b>RU</b> (Rust) <b>SA</b> (Sand) <b>VG</b> (Verde Green)	<b>3W</b>	<b>WW</b> (3000K)
		<b>6W</b>	<b>CW</b> (4700K)

\*Sample Part No.: LS131-SA-6-WW






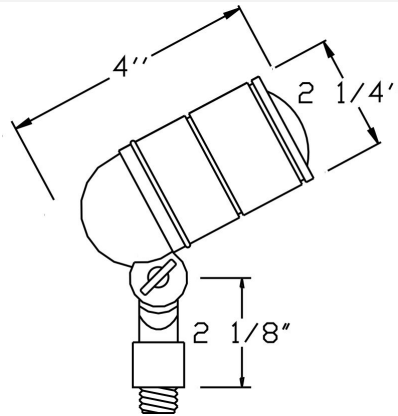
**Catalog#: LS130**

**LED OUTDOOR CAST ALUMINUM DIRECTIONAL LIGHT BULLET - 12V**

**Category** LED

**Specifications:**

- Material: Cast Aluminum
- Voltage: 12 Volts
- Lamp type: [LMR16 5W](#) or [LMR16 3W](#) Lamp Included
- Lens type: Convex Tempered Glass Lens
- Socket: Premium grade Porcelain socket with Nickel contacts and Teflon-jacketed wire leads
- Gasket: Sealed with high grade weatherproof Silicone Gasket
- Wiring: Pre-wired with 24" SPT-1 Cord
- Accessories: Adjustable Key Knuckle  
GS-85 PVC Spike  
[SWN-BK](#) Silicone Wire Nuts
- Warranty: 1 Year Warranty
- Life Hours: 50,000
- Document: [Installation Instructions](#)
- Certifications: 



Cat. No.	Finishes	Wattage	Color Temp
LS130	BK (Black) BR (Bronze) RU (Rust) SA (Sand)	3W	WW (3000K)
		6W	CW (4700K)

\*Sample Part No.: LS130-RU-3-WW

\*LS130-RU-6-CW, LS130-RU-6-WW, LS130-SA-6-CW, LS130-SA-6-WW While Supplies Last





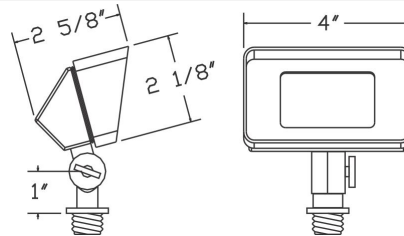
**Catalog#: LB610**

**LED OUTDOOR CAST BRASS RECTANGLE SPOT - 12V**

**Category** LED  
**Page** [54](#) (LED Catalog)

**Specifications:**

**Material** Cast Brass  
**Voltage** 12 Volts  
**Wattage** 2W  
**Lamp type** [LJC 2W](#) Lamp Included  
**Lens type** Tempered Glass Lens  
**Socket** Premium grade Porcelain socket with Nickel contacts and Teflon-jacketed wire leads  
**Gasket** Sealed with high grade weatherproof Silicone Gasket  
**Wiring** Pre-wired with 24" SPT-1 Cord  
**Accessories** Adjustable Key Knuckle  
 GS-85 PVC Spike  
[SWN-BK](#) Silicone Wire Nuts  
**Warranty** 1 Year Warranty  
**Life Hours** 30,000  
**Document** [Installation Instructions](#)  
**Certifications**



Cat. No.	Finishes	Color Temp
LB610	ARB (Architectural Bronze)	WW (3000K)
		CW (4700K)

\*Sample Part No.: LB610-AB-WW






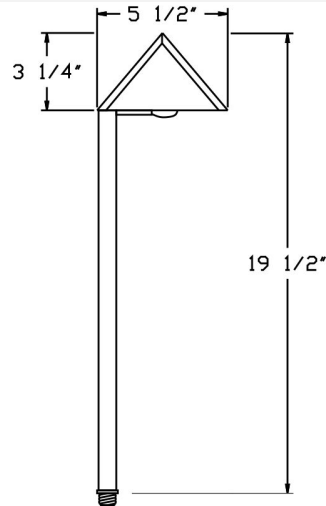
**Catalog#: LB107**

**LED OUTDOOR SOLID BRASS PYRAMID PATH LIGHT- 2W, 12V**

**Category** LED

**Specifications:**

Material	Solid Brass
Voltage	12 Volts
Lamp type	<a href="#">LBAY 2W</a> Lamp Included
Socket	Premium grade Porcelain socket with Nickel contacts and Teflon-jacketed wire leads
Gasket	Sealed with high grade weatherproof Silicone Gasket
Wiring	Pre-wired with 24" SPT-1 Cord
Accessories	GS-10 Super Spike <a href="#">SWN-BK</a> Silicone Wire Nuts
Document	<a href="#">Installation Instructions</a>
Certifications	



Cat. No.	Finishes	Wattage	Color Temp
LB107	AG (Aged Green)	2W	WW (3000K)
			CW (4100K)

\*Sample Part No.: LB107-AG-WW

\*LB107-AG-WW While Supplies Last






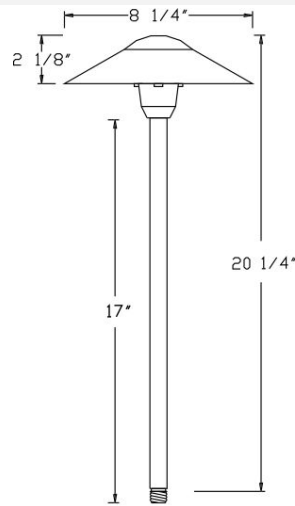
**Catalog#: LS215**

**LED OUTDOOR LANDSCAPE PATH LIGHT - 12V**

**Category** LED

**Specifications:**

Material	Cast Aluminum
Voltage	12 Volts
Wattage	1W
Lamp type	<a href="#">LBAY 1W</a> Lamp Included
Socket	Premium grade Porcelain socket with Nickel contacts and Teflon-jacketed wire leads
Gasket	Sealed with high grade weatherproof Silicone Gasket
Wiring	Pre-wired with 24" SPT-1 Cord
Accessories	GS-10 Super Spike CO-3 Connector
Document	<a href="#">Installation Instructions</a>
Certifications	



Cat. No.	Finishes	Color Temp
LS215-BK-CW	Black	<b>CW</b> (4100K)
LS215-BK-WW	Black	<b>WW</b> (3000K)
LS215-BR-CW	Bronze	<b>CW</b> (4100K)
LS215-BR-WW	Bronze	<b>WW</b> (3000K)
LS215-RU-CW	Rust	<b>CW</b> (4100K)
LS215-RU-WW	Rust	<b>WW</b> (3000K)
LS215-VG-CW	Verde Green	<b>CW (4100K)</b>
LS215-VG-WW	Verde Green	<b>WW (3000K)</b>





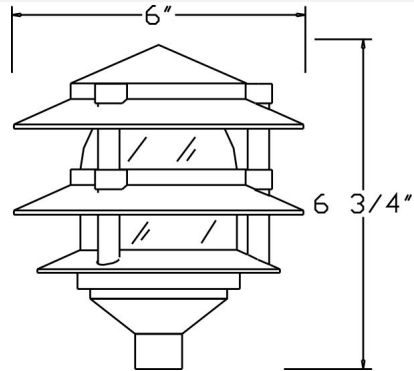
**Catalog#: L2030**

**LED OUTDOOR 3-TIER CAST ALUMINUM PAGODA LIGHTS- 12V**

**Category** LED  
**Page** [55](#) (LED Catalog)

**Specifications:**

**Material** Cast Aluminum  
**Voltage** 12 Volts  
**Wattage** 2W  
**Lamp type** [LJC 2W](#) Lamp Included  
**Lens type** Frosted Glass Lens - Standard, Clear Lens by Request  
**Socket** Premium grade Porcelain socket with Nickel contacts and Teflon-jacketed wire leads  
**Gasket** Sealed with high grade weatherproof Silicone Gasket  
**Wiring** Pre-wired with 24" SPT-1 Cord  
**Accessories** 3-Tier  
 8" Extension Wand  
 GS-85 PVC Spike  
 CO-3 Connector  
**Warranty** 1 Year Warranty  
**Life Hours** 30,000  
**Document** [Installation Instructions](#)  
**Certifications**



Cat. No.	Finishes	Lens Type	Color Temp
L2030	BK (Black) BR (Bronze) GN (Green) VG (Verde Green)	F (Frosted)	WW (3000K)
		C (Clear)	CW (4700K)

\*Sample Part No.: L2030-BK-F-CW







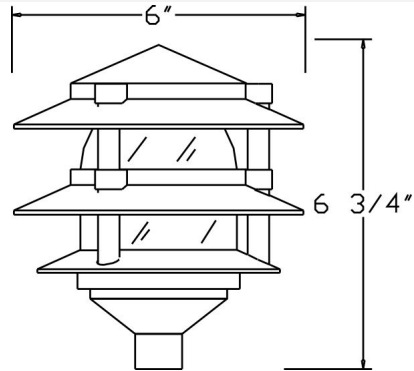
**Catalog#: L2030B**

**LED OUTDOOR 3-TIER CAST ALUMINUM PAGODA LIGHTS, 12V**

**Category** Landscape Lighting

**Specifications:**

Material	Cast Aluminum
Voltage	12 Volts
Lamp type	<a href="#">LBAY-CW</a> or <a href="#">LBAY-3W-WW</a> Included, 50W Max.
Lens type	Frosted Glass Lens - Standard, Clear Lens by Request
Socket	Premium grade Porcelain socket with Nickel contacts and Teflon-jacketed wire leads
Gasket	Sealed with high grade weatherproof Silicone Gasket
Wiring	Pre-wired with 24" SPT-1 Cord
Accessories	3-Tier 8" Extension Wand GS-85 PVC Spike <a href="#">SWN-BK</a> Silicone Wire Nuts
Warranty	1 Year Warranty
Life Hours	25,000
Document	<a href="#">Installation Instructions</a>
Certifications	 



Cat. No.	Lens Type	Finish	Color Temp
L2030B	F (Frosted)	BK (Black) BR (Bronze)	CW (4100K)
	C (Clear)		WW (3000K)

\*Sample Part No.: L2030B-F-BK-CW








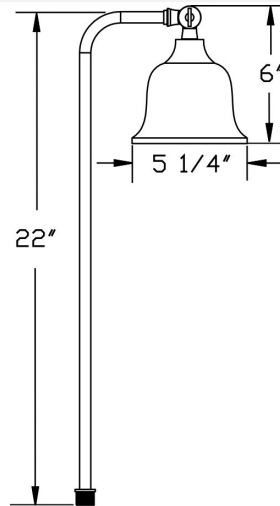
**Catalog#: LB114**

**LED OUTDOOR SOLID BRASS PATH LIGHT - 12V**

**Category** LED  
**Page** [56](#) (LED Catalog)

**Specifications:**

**Material** Solid Brass  
**Voltage** 12 Volts  
**Wattage** 2W  
**Lamp type** [LJC 2W](#) Lamp Included  
**Socket** Premium grade Porcelain socket with Nickel contacts and Teflon-jacketed wire leads  
**Gasket** Sealed with high grade weatherproof Silicone Gasket  
**Wiring** Pre-wired with 24" SPT-1 Cord  
**Accessories** GS-10 PVC Super Spike  
 CO-3 Connector  
**Warranty** 1 Year Warranty  
**Life Hours** 30,000  
**Document** [Installation Instructions](#)  
**Certifications** 



Cat. No.	Color Temp
LB114	WW (3000K)
	CW (4700K)

\*Sample Part No.: LB114-WW







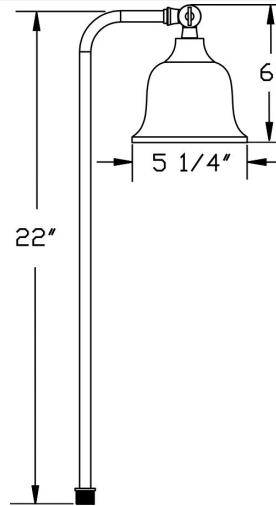
**Catalog#: LC114**

**LED OUTDOOR COPPER PATH LIGHT - 12V**

**Category** LED  
**Page** [56](#) (LED Catalog)

**Specifications:**

Material	Natural Copper
Voltage	12 Volts
Wattage	2W
Lamp type	<a href="#">LJC 2W</a> Lamp Included
Socket	Premium grade Porcelain socket with Nickel contacts and Teflon-jacketed wire leads
Gasket	Sealed with high grade weatherproof Silicone Gasket
Wiring	Pre-wired with 24" SPT-1 Cord
Accessories	GS-10 PVC Super Spike <a href="#">SWN-BK</a> Silicone Wire Nuts
Warranty	1 Year Warranty
Life Hours	30,000
Document	<a href="#">Installation Instructions</a>
Certifications	 



Cat. No.	Color Temp
LC114	WW (3000K)
	CW (4700K)

\*Sample Part No.: LC114-WW

\*LC114-CW, LC114-WW While Supplies Last






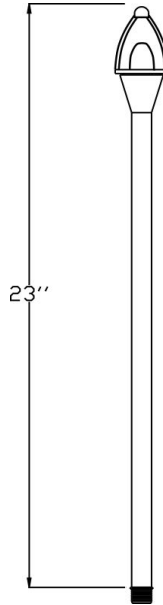
**Catalog#: LB18S**

**LED OUTDOOR SOLID BRASS PATH LIGHT - 12V**

**Category** LED  
**Page** [57](#) (LED Catalog)

**Specifications:**

**Material** Solid Brass  
**Voltage** 12 Volts  
**Wattage** 1W  
**Lamp type** [LBAY 1W](#) Lamp Included  
**Socket** Premium grade Porcelain socket with Nickel contacts and Teflon-jacketed wire leads  
**Gasket** Sealed with high grade weatherproof Silicone Gasket  
**Wiring** Pre-wired with 24" SPT-1 Cord  
**Accessories** GS-10 PVC Super Spike  
 CO-3 Connector  
[Shade Option](#)  
**Warranty** 1 Year Warranty  
**Life Hours** 30,000  
**Document** [Installation Instructions](#)  
**Certifications** 



Cat. No.	Finish	Color Temp
LB18S	AB (Antique Brass)	WW (3000K)
	AZ (Antique Bronze) ARB (Architectural Bronze)	CW (4700K)

\*Sample Part No.: LB18S-AB-WW





**Catalog#: Shade Only**  
**SHADE ONLY FOR LB18S AND LB28S**

**Category** LED  
**Page** [57/58](#) (LED Catalog)

**Specifications:**

**Material** Solid Brass  
**Stem Type** [LB18S](#)  
[LB28S](#)

**Certifications**



Cat. No.	Finish
B181C	<b>AB</b> (Antique Brass)
B182C	<b>AZ</b> (Antique Bronze) <b>ARB</b> (Architectural Bronze)
B183C	
B184C	
B185C	
B186C	

\*Sample Part No.: B183C-AZ





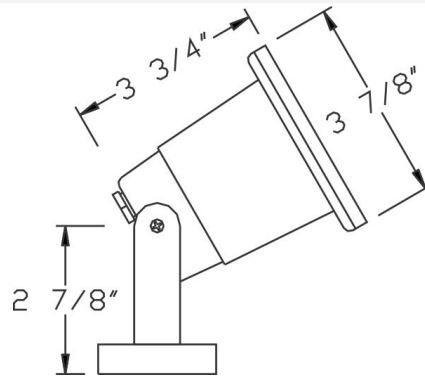
**Catalog#: LB510**

**LED UNDERWATER SOLID BRASS DIRECTIONAL LIGHT - 12V**

**Category** LED  
**Page** [60](#) (LED Catalog)

**Specifications:**

**Material** Solid Brass  
**Voltage** 12 Volts  
**Lamp type** [LMR16 3W](#) Lamp Included  
**Lens type** Tempered Glass Lens  
**Socket** Premium grade Porcelain socket with Nickel contacts and Teflon-jacketed wire leads  
**Gasket** Sealed with high grade weatherproof Silicone Gasket  
**Wiring** Pre-wired with 30 Ft SJT Cord  
**Accessories** Brass Fittings  
**Warranty** 1 Year Warranty  
**Life Hours** 50,000  
**Document** [Installation Instructions](#)  
**Certifications**



Cat. No.	Color Temp
LB510	WW (3000K)
	CW (4700K)

\*Sample Part No.: LB510-CW





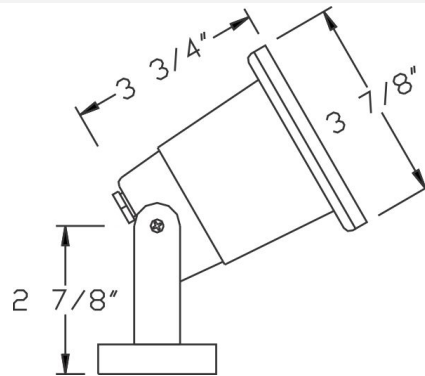
**Catalog#: LSS510**

**LED UNDERWATER STAINLESS STEEL DIRECTIONAL LIGHT - 12V**

**Category** LED  
**Page** [61](#) (LED Catalog)

**Specifications:**

**Material** Solid Grade 304 Stainless Steel  
**Voltage** 12 Volts  
**Lamp type** [LMR16 3W](#) Lamp Included  
**Lens type** Tempered Glass Lens  
**Socket** Premium grade Porcelain socket with Nickel contacts and Teflon-jacketed wire leads  
**Gasket** Sealed with high grade weatherproof Silicone Gasket  
**Wiring** Pre-wired with 30 Ft SJT Cord  
**Accessories** Stainless Steel Fittings  
**Warranty** 1 Year Warranty  
**Life Hours** 50,000  
**Document** [Installation Instructions](#)  
**Certifications**



Cat. No.	Color Temp
LSS510	WW (3000K)
	CW (4700K)

\*Sample Part No.: LSS510-CW






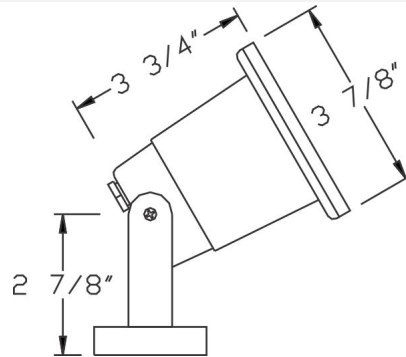
**Catalog#: L5510**

**LED ADJUSTABLE ANGLE LMR16 SPOT/WELL FIXTURE - 5W. 12V**

**Category** LED

**Specifications:**

Material	Solid Aluminum
Voltage	12 Volts
Lamp type	<a href="#">LMR16 5W</a> Lamp Included
Lens type	Tempered Glass
Socket	Premium grade Porcelain socket with Nickel contacts and Teflon-jacketed wire leads
Gasket	Sealed with high grade weatherproof Silicone Gasket
Wiring	Pre-wired with 30 Ft SJT Cord
Accessories	Silicone Gasket Brass or Stainless Steel Fittings
Document	<a href="#">Installation Instructions</a>
Certifications	



Cat. No.	Finishes	Wattage	Color Temp
L5510	BK (Black)	5W	WW (3000K)
	WH (White)		CW (5000K)

\*Sample Part No.: L5510-BK-5-WW



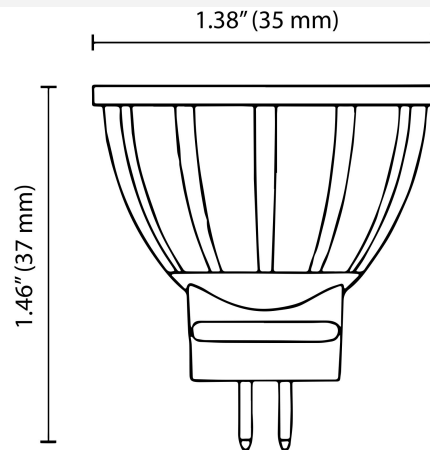


**Catalog#: LMR11-3W**  
**LED MR11, 3W 9~17V, GU4 BASE**

**Category** LED

**Specifications:**

Wattage: 3W  
 Voltage: 9~17V  
 Base: GU4  
 Operating Temp: -4°F to +122°F  
 Life Hours: 25,000  
 Beam Angle: 60°  
 Equivalent Wattage Rating: 20W Halogen MR11



Certification



Catalog Number	UPC	Color Temperature	Emission Color	Lumens	CRI
LMR11-3W-WW	615624016292	3000K	Warm White	180 lm	85
LMR11-3W-CW	615624016308	5000K	Cool White	180 lm	85





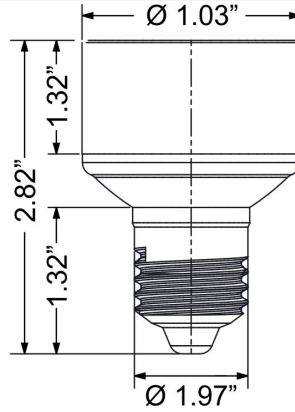


**Catalog#: LMR16-3W-EB**  
**MR16 LED Flood Light**

**Category** LED  
**Page** [115](#) / [63](#) (LED Catalog)

**Specifications:**

Wattage: 3W  
 Voltage: 120V  
 Lens Type: Frosted  
 Base: E26/E27  
 Housing: Die Cast Aluminum  
 Operating Temp: -20°C to +40°C  
 Life Hours: 50,000  
 Beam Angle: 30°  
 Lens Material: Acrylic  
 Equivalent Wattage Rating: 20W Halogen MR16  
 Certification



Catalog Number	UPC	Efficacy	Color Temperature	Emission Color	Lumens	CRI
LMR16-3W-EB-WW	615624387675	63 lm/W	3000K	Warm White	190 lm	70



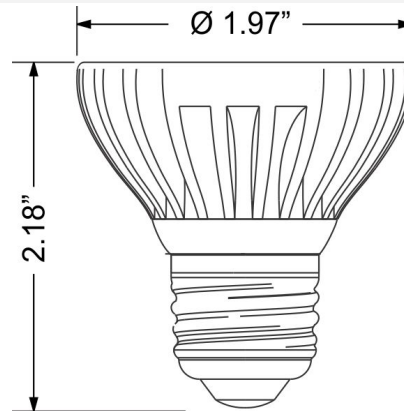


**Catalog#: LMR16-4W-EB**  
**LED MR16 Flood Light**

**Category** LED  
**Page** [116](#)

**Specifications:**

Wattage: 4 W  
 Voltage: 120 V  
 Lens Type: Frosted  
 Base: E26/E27  
 Housing: Die Cast Aluminum  
 Operating Temp: -20°C to +40°C  
 Life Hours: 50,000  
 Beam Angle: 25°  
 Lens Material: Acrylic  
 Equivalent Wattage Rating: 20W Halogen MR16  
 Certification



Catalog Number	UPC	Efficacy	Color Temperature	Emission Color	Lumens	CRI
LMR16-4W-EB-CW	615624387958	50 lm/W	4700K	Cool White	200 lm	75



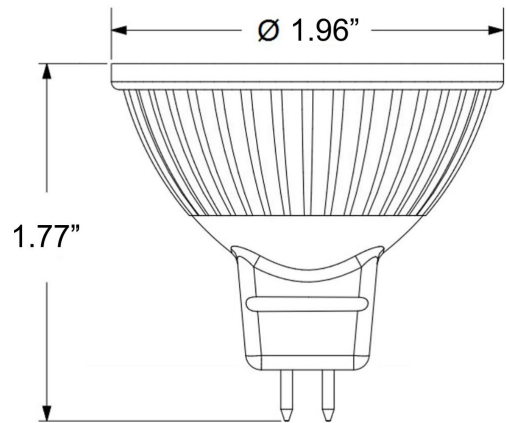


**Catalog#: LMR16-5W-D**  
**LED MR16 LIGHT BULB, 5W, 12V**

**Category** LED

**Specifications:**

Wattage: 5W  
 Voltage: 12V  
 Lens Type: Frosted  
 Base: GU5.3  
 Housing: Plastic  
 Min Operating Temp: -20°C / -4°F  
 Life Hours: 25,000  
 Beam Angle: 36 Degrees  
 Lens Material: Acrylic  
 Equivalent Wattage Rating: 35W Halogen MR16  
 Certification



Catalog Number	UPC	Efficacy	Color Temperature	Emission Color	Lumens	CRI	Wattage Equivalent
LMR16-5W-D-WW	615624007009	80 lm/W	3000K	Warm White	400 lm	80+	35W Halogen MR16
LMR16-5W-D-CW	615624010603	80 lm/W	5000K	Cool White	400 lm	80+	35W Halogen MR16



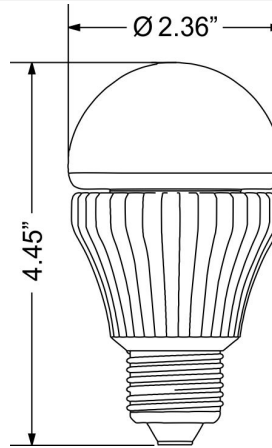


**Catalog#: LA19-7W  
 LED A19 Light Bulb**

**Category** LED  
**Page** [116 / 64](#) (LED Catalog)

**Specifications:**

Wattage: 7 W  
 Voltage: 120 V  
 Lens Type: Frosted  
 Base: E26/E27  
 Housing: Die Cast Aluminum  
 Operating Temp: -20°C to +40°C  
 Life Hours: 50,000  
 Beam Angle: 75°  
 Lens Material: Tempered Glass  
 Equivalent Wattage Rating: 40W Incandescent A19  
 Certification



Catalog Number	UPC	Efficacy	Color Temperature	Emission Color	Lumens	CRI
LA19-7W-WW	615624376556	42 lm/W	3000K	Warm White	300 lm	75



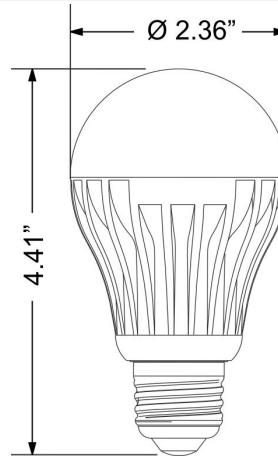


**Catalog#: LA19-8W-D**  
**LED A19 Light Bulb**

**Category** LED  
**Page** [116 / 64](#) (LED Catalog)

**Specifications:**

Wattage: 8 W  
 Voltage: 120 V  
 Lens Type: Frosted  
 Base: E26/E27  
 Housing: Die Cast Aluminum  
 Operating Temp: -20°C to +40°C  
 Life Hours: 50,000  
 Beam Angle: 75°  
 Lens Material: Tempered Glass  
 Equivalent Wattage Rating: 50W Incandescent A19  
 Certification



Catalog Number	UPC	Efficacy	Color Temperature	Emission Color	Lumens	CRI
LA19-8W-D-WW	615624387989	46 lm/W	3000K	Warm White	300 lm	80
LA19-8W-D-CW	615624387972	51 lm/W	4700K	Cool White	410 lm	75



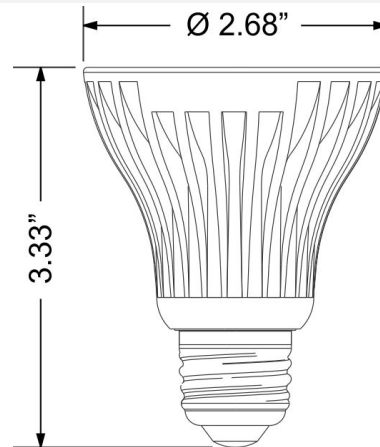


**Catalog#: LPAR20-8W-D**  
**LED PAR20 Light Bulb**

**Category** LED  
**Page** [117 / 65](#) (LED Catalog)

**Specifications:**

Wattage: 8 W  
 Voltage: 120 V  
 Lens Type: Frosted  
 Base: E26/E27  
 Housing: Die Cast Aluminum  
 Operating Temp: -20°C to +40°C  
 Life Hours: 50,000  
 Beam Angle: 60°  
 Lens Material: Acrylic  
 Equivalent Wattage Rating: 50W Incandescent PAR20  
 Certification



Catalog Number	UPC	Efficacy	Color Temperature	Emission Color	Lumens	CRI
LPAR20-8W-D-WW	615624387927	43 lm/W	3000K	Warm White	350 lm	80
LPAR20-8W-D-CW	615624387910	48 lm/W	4700K	Cool White	390 lm	75



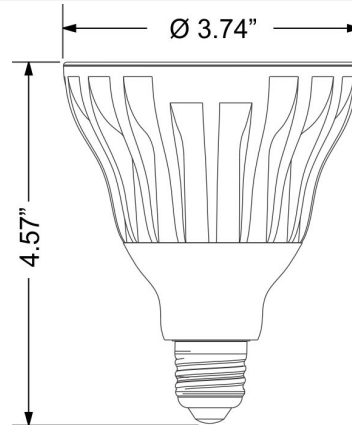


**Catalog#: LPAR30-12W-D**  
**LED PAR30 Light Bulb**

**Category** LED  
**Page** [117 / 65](#) (LED Catalog)

**Specifications:**

Wattage: 12 W  
 Voltage: 120 V  
 Lens Type: Frosted  
 Base: E26/E27  
 Housing: Die Cast Aluminum  
 Operating Temp: -20°C to +40°C  
 Life Hours: 50,000  
 Beam Angle: 60°  
 Lens Material: Acrylic  
 Equivalent Wattage Rating: 50W Incandescent PAR30  
 Certification



Catalog Number	UPC	Efficacy	Color Temperature	Emission Color	Lumens	CRI
LPAR30-12W-D-WW	615624387903	50 lm/W	3000K	Warm White	590 lm	80
LPAR30-12W-D-CW	615624387897	50 lm/W	4700K	Cool White	600 lm	75



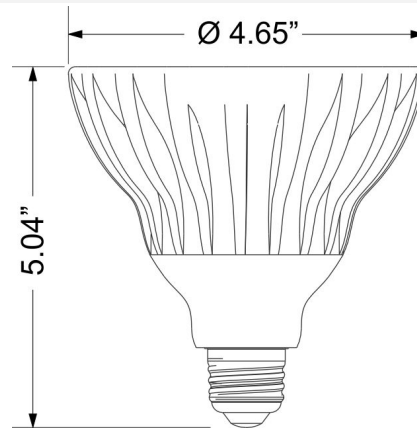


**Catalog#: LPAR38-16W-D**  
**LED PAR38 Light Bulb**

**Category** LED  
**Page** [118 / 66](#) (LED Catalog)

**Specifications:**

Wattage: 16 W  
 Voltage: 120 V  
 Lens Type: Prismatic  
 Base: E26/E27  
 Housing: Die Cast Aluminum  
 Operating Temp: -20°C to +40°C  
 Life Hours: 50,000  
 Beam Angle: 60°  
 Lens Material: Acrylic  
 Equivalent Wattage Rating: 60W Incandescent PAR38  
 Certification



Catalog Number	UPC	Efficacy	Color Temperature	Emission Color	Lumens	CRI
LPAR38-16W-D-WW	615624387941	50 lm/W	3000K	Warm White	800 lm	80
LPAR38-16W-D-CW	615624387934	56 lm/W	4700K	Cool White	900 lm	75





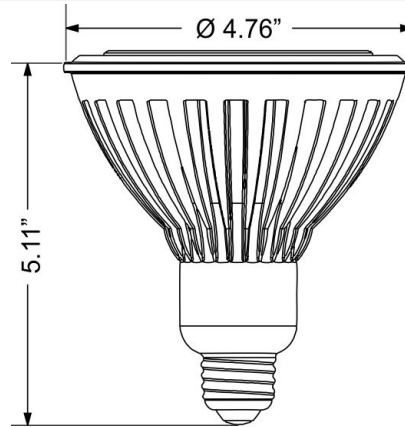


**Catalog#: LPAR38-16W-D-OD**  
**Outdoor Rated LED Bulbs**

**Category** LED  
**Page** [118 / 66](#) (LED Catalog)

**Specifications:**

Wattage: 16 W  
 Voltage: 120 V  
 Lens Type: Frosted  
 Base: E26/E27  
 Housing: Die Cast Aluminum  
 Operating Temp: -20°C to +40°C  
 Life Hours: 50,000  
 Beam Angle: 60°  
 Lens Material: Acrylic  
 Equivalent Wattage Rating: 60W Incandescent PAR38



**Outdoor Rated**

Certification



Catalog Number	UPC	Efficacy	Color Temperature	Emission Color	Lumens	CRI
LPAR38-16W-D-WW-OD	615624388436	50 lm/W	3000K	Warm White	800 lm	80
LPAR38-16W-D-CW-OD	615624000833	56 lm/W	4700K	Cool White	900 lm	80





**Catalog#: LBAY**  
**LED Bulbs**

**Category** LED

**Specifications:**

Wattage: 1.6 W  
 Voltage: 12 ~ 25VAC  
 Base: BA15S  
 Operating Temp: -35°C to +55°C  
 Life Hours: 25,000  
 Beam Angle: 360°  
 Equivalent Wattage Rating: 20W Bayonet  
 Certification



Catalog Number	UPC	Color Temperature	Emission Color	Lumens	CRI
LBAY-CW	615624388573	4100K	Cool White	200 lm	75





**Catalog#: LBAY-3W-WW**  
**LED BAYONET, 3W 12~25V, BA15S BASE, 3000K, WW**

**Category** LED

**Specifications:**

Wattage: 3 W  
 Voltage: 12 ~ 25VAC  
 Base: BA15S  
 Operating Temp: -20°C to +45°C  
 Life Hours: 25,000  
 Beam Angle: 360°  
 Equivalent Wattage Rating: 25W Bayonet  
 Certification



Catalog Number	UPC	Color Temperature	Emission Color	Lumens	CRI
LBAY-3W-WW	615624016261	3000K	Warm White	290 lm	80





**Catalog#: LJC  
LED Bulbs**

**Category** LED

**Specifications:**

Wattage: 2 W  
 Voltage: 12 ~ 25VAC  
 Base: G4  
 Operating Temp: -35°C to +55°C  
 Life Hours: 25,000  
 Beam Angle: 360°  
 Equivalent Wattage Rating: 20W JC Bi-Pin  
 Certification



Catalog Number	UPC	Color Temperature	Emission Color	Lumens	CRI
LJC-WW	615624000840	3000K	Warm White	250 lm	75
LJC-CW	615624388566	4100K	Cool White	250 lm	75





**Catalog#: LJC-3W**  
**LED JC BI-PIN 3W 12-25V, G4**

**Category** LED

**Specifications:**

Wattage: 3 W  
 Voltage: 12 ~ 24VAC  
 Base: G4  
 Operating Temp: -20°C/-4°F to +40°C/104°F  
 Life Hours: 30,000  
 Beam Angle: 360°  
 Equivalent Wattage Rating: 35W  
 No Dimmable  
 Certification 

Catalog Number	UPC	Color Temperature	Emission Color	Lumens	CRI
LJC-3W-WW	615624016278	3000K	Warm White	300 lm	80
LJC-3W-CW	615624016285	6000K	Cool White	300 lm	80



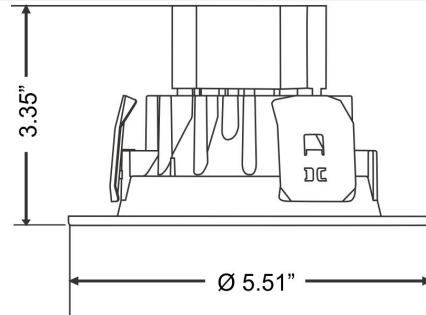


**Catalog#: LRR4-10W-D  
 DIMMABLE LED BULBS**

**Category** LED  
**Page** [19](#) / [68](#) (LED Catalog)

**Specifications:**

Wattage: 10 W  
 Voltage: 120V  
 Base: E26/E27  
 Housing: Die Cast Aluminum  
 Finish: White  
 Operating Temp: -20°C to +50°C  
 Life Hours: 50,000  
 Beam Angle: 120°  
 Lens Material: Acrylic  
 Equivalent Wattage Rating: 50W Incandescent  
 Certification



Catalog Number	UPC	System Wattage	# of LEDs	Efficacy	Color Temperature	Emission Color	Lumens
LRR4-10W-D-WW-WH	615624388009	10W	COB	50 lm/W	3000K	Warm White	500 lm



## SPECIFICATION & FEATURES

### Model No.: LD-1501

#### DESCRIPTION:

##### LED Decorative Dimmer - Single Pole

Dimming Control:

120VAC 60Hz

150W Dimmable LED/CFL

600W Incandescent

Ambient operating temperature: 32 °F to 104 °F

(0 °C to 40 °C), 0% to 90% humidity

#### CERTIFICATION & CODE COMPLIANCE:

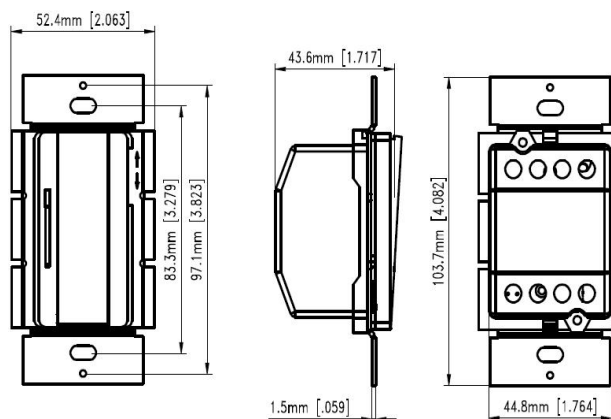
- UL Listed (E489287)
- Conforms to ANSI/UL1472
- California Title 24



#### FEATURES AND BENEFITS:

- Tough impact-resistant thermoplastic housing.
- Broad product offering to meet a wide variety of applications.
- Full-range dimming, lighting fade up and down smoothly allowing your eyes to adjust to changing light levels.
- Smooth-action slide control for easy precise operation.

#### LINE DRAWINGS / DIMENSION:



#### DIMMER CAPACITY CHART:

DERATING CHART			
	LOAD CAPACITY WHEN TABS ARE REMOVED		
	0 SIDE	1 SIDE	2 SIDES
<b>INCANDESCENT</b>	600W	500W	400W
<b>LED/CFL</b>	150W	150W	150W



## SPECIFICATION & FEATURES

### Model No.: LD-1503

#### DESCRIPTION:

#### LED Decorative Dimmer - Single Pole or Three Way

Dimming Control:

120VAC 60Hz

150W Dimmable LED/CFL

600W Incandescent

Ambient operating temperature: 32 °F to 104 °F

(0 °C to 40 °C), 0% to 90% humidity



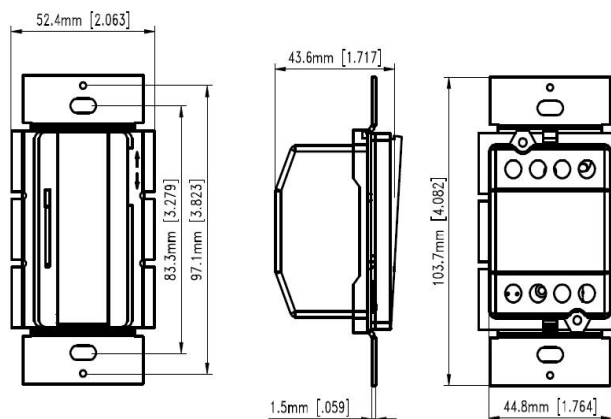
#### CERTIFICATION & CODE COMPLIANCE:

- UL Listed (E489287)
- Conforms to ANSI/UL1472
- California Title 24

#### FEATURES AND BENEFITS:

- Tough impact-resistant thermoplastic housing.
- Broad product offering to meet a wide variety of applications.
- Full-range dimming, lighting fade up and down smoothly allowing your eyes to adjust to changing light levels.
- Smooth-action slide control for easy precise operation.

#### LINE DRAWINGS / DIMENSION:



#### DIMMER CAPACITY CHART:

DERATING CHART			
	LOAD CAPACITY WHEN TABS ARE REMOVED		
	0 SIDE	1 SIDE	2 SIDES
<b>INCANDESCENT</b>	600W	500W	400W
<b>LED/CFL</b>	150W	150W	150W





## SPECIFICATION & FEATURES

**Model No.: LDS-1501**

### DESCRIPTION:

#### LED Decorative Dimmer - Single Pole

Dimming Control:

120VAC 60Hz

150W Dimmable LED/CFL

600W Incandescent

Ambient operating temperature: 32 °F to 104 °F  
(0 °C to 40 °C), 0% to 90% humidity

### CERTIFICATION & CODE COMPLIANCE:

- UL Listed (E489287)
- Conforms to ANSI/UL1472
- California Title 24

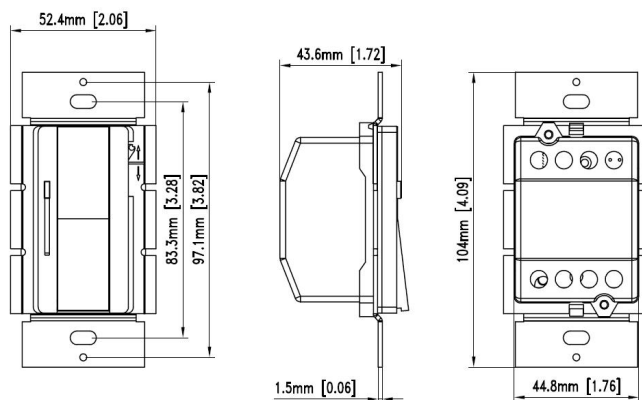
Sensitivity Knob:  
UP: Brighter  
DOWN: Less Bright



### FEATURES AND BENEFITS:

- Tough impact-resistant thermoplastic housing.
- Broad product offering to meet a wide variety of applications.
- Full-range dimming, lighting fade up and down smoothly allowing your eyes to adjust to changing light levels.
- Smooth-action slide control for easy precise operation.
- **Sensitivity knob for brightness control.**

### LINE DRAWINGS / DIMENSION:



### DIMMER CAPACITY CHART:

DERATING CHART			
	LOAD CAPACITY WHEN TABS ARE REMOVED		
	0 SIDE	1 SIDE	2 SIDES
INCANDESCENT	600W	500W	400W
LED/CFL	150W	150W	150W



## SPECIFICATION & FEATURES

**Model No.: LDS-1503**

### DESCRIPTION:

**LED Decorative Dimmer - Single Pole or Three Way**

Dimming Control:

120VAC 60Hz

150W Dimmable LED/CFL

600W Incandescent

Ambient operating temperature: 32 °F to 104 °F  
(0 °C to 40 °C), 0% to 90% humidity

### CERTIFICATION & CODE COMPLIANCE:

- UL Listed (E489287)
- Conforms to ANSI/UL1472
- California Title 24

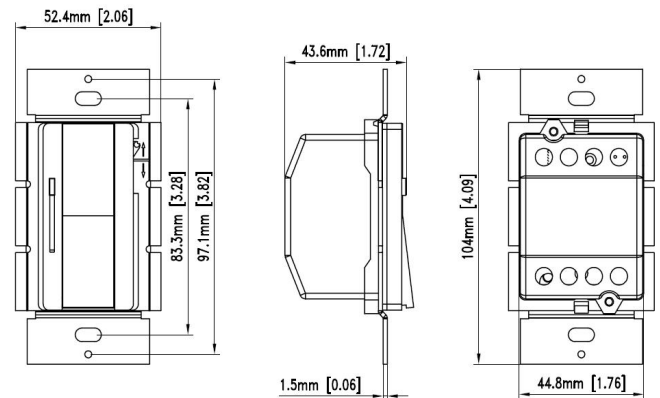
Sensitivity Knob:  
UP: Brighter  
↓  
DOWN: Less Bright



### FEATURES AND BENEFITS:

- Tough impact-resistant thermoplastic housing.
- Broad product offering to meet a wide variety of applications.
- Full-range dimming, lighting fade up and down smoothly allowing your eyes to adjust to changing light levels.
- Smooth-action slide control for easy precise operation.
- **Sensitivity knob for brightness control.**

### LINE DRAWINGS / DIMENSION:



### DIMMER CAPACITY CHART:

DERATING CHART			
	LOAD CAPACITY WHEN TABS ARE REMOVED		
	0 SIDE	1 SIDE	2 SIDES
<b>INCANDESCENT</b>	600W	500W	400W
<b>LED/CFL</b>	150W	150W	150W



## SPECIFICATION & FEATURES

**Model No.: LSD-1501**

### DESCRIPTION:

#### LED Slide Dimmer - Single Pole

Dimming Control:

120VAC 60Hz

150W Dimmable LED/CFL

700W Incandescent

Ambient operating temperature: 32 °F to 104 °F  
(0 °C to 40 °C), 0% to 90% humidity

### CERTIFICATION & CODE COMPLIANCE:

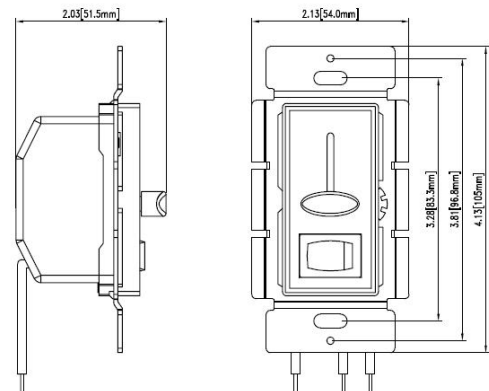
- ETL LISTED
- Conforms to ANSI/UL1472
- California Title 24



### FEATURES AND BENEFITS:

- Tough impact-resistant thermoplastic housing.
- Broad product offering to meet a wide variety of applications.
- Full-range dimming, lighting fade up and down smoothly allowing your eyes to adjust to changing light levels.
- Smooth-action slide control for easy precise operation.

### LINE DRAWINGS / DIMENSION:



### DIMMER CAPACITY CHART:

DERATING CHART			
	LOAD CAPACITY WHEN TABS ARE REMOVED		
	0 SIDE	1 SIDE	2 SIDES
<b>INCANDESCENT</b>	700W	600W	500W
<b>LED/CFL</b>	150W	150W	150W



## SPECIFICATION & FEATURES

### Model No.: LSD-1503

#### DESCRIPTION:

##### LED Slide Dimmer - Single Pole or Three Way

Dimming Control:

120VAC 60Hz

150W Dimmable LED/CFL

700W Incandescent

Ambient operating temperature: 32 °F to 104 °F  
(0 °C to 40 °C), 0% to 90% humidity

#### CERTIFICATION & CODE COMPLIANCE:

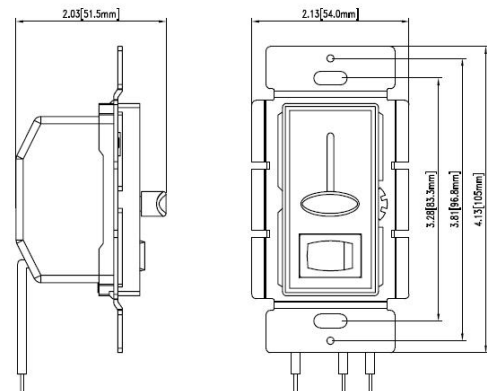
- ETL LISTED
- Conforms to ANSI/UL1472
- California Title 24



#### FEATURES AND BENEFITS:

- Tough impact-resistant thermoplastic housing.
- Broad product offering to meet a wide variety of applications.
- Full-range dimming, lighting fade up and down smoothly allowing your eyes to adjust to changing light levels.
- Smooth-action slide control for easy precise operation.

#### LINE DRAWINGS / DIMENSION:



#### DIMMER CAPACITY CHART:

DERATING CHART			
	LOAD CAPACITY WHEN TABS ARE REMOVED		
	0 SIDE	1 SIDE	2 SIDES
INCANDESCENT	700W	600W	500W
LED/CFL	150W	150W	150W



## LBAL SERIES

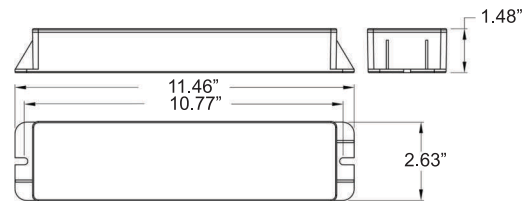
### LED EMERGENCY LIGHTING BALLASTS

#### General Specifications

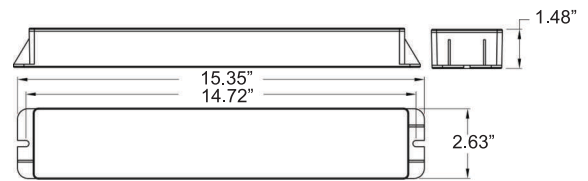
- ▶ Dual-Voltage Input 120/277VAC Operation
- ▶ UL Classified for field installation
- ▶ Suitable for Damp Location (0°C - 50°C)
- ▶ Provides constant power output to the load during emergency mode operation
- ▶ 90 minute minimum emergency operation over full temperature range
- ▶ Injection Molded, engineering grade, 5VA Flame Retardant, high-impact, thermoplastic
- ▶ Black finish
- ▶ Installs inside, on top, or in remote of the fixture
- ▶ Output short/overcurrent protection: Electronic limiting, with normal operation resuming upon removal of fault
- ▶ Can be operated as NORMALLY-ON, NORMALLY-OFF or SWITCHED LOAD
- ▶ Output classification: Class 2 Compliant
- ▶ Surge protection: Per C62.41 (TVS)
- ▶ Input overcurrent protection: Fusible Link
- ▶ LED illuminated and remote mounted test switch
- ▶ Charge/Power "ON" LED indicator light and push-to-test switch
- ▶ Maintenance-free, rechargeable NiCd Battery
- ▶ 24 Hour max battery recharge time
- ▶ 5 year warranty on electronics and housing
- ▶ Meets UL924, NFPA 101 Life Safety Code



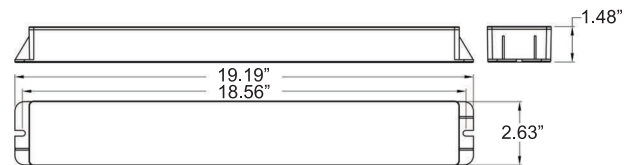
#### Dimensions



LBAL800



LBAL1200 & 1600



LBAL2000 & 2400



Catalog No.	OUTPUT OPERATING RANGE		OUTPUT POWER			
	Voltage (Vdc)	Current (mA)	System Wattage (Constant)	Lumens	Input Current (mA)	Input Power (W)
LBAL800	20 - 50	250 - 100	5	800	61	3.9
LBAL1200	20 - 50	390 - 156	7.8	1250	65	4.8
LBAL1600	20 - 50	535 - 214	10.7	1700	87	5.7
LBAL2000	20 - 50	685 - 274	13.7	2200	110	6.9
LBAL2400	20 - 50	850 - 340	17	2700	110	7.9

\*Lumen output based on LED light source having efficacy of 160 lumens/watt. Actual output may vary depending on light source.

#### ORBIT LED LIGHTS COMPATIBILITY TABLE

LWP1-28W-WW	LWP25-12W-CW	LWP2-80W-CW	LCM2-45W-CW
LWP1-50W-CW	LWP25-12W-WW	LP741-30W-P-CW	LCM2-60W-CW
LWP1-80W-CW	LWP25-30W-CW	LCM7-40W-CW	LFL6-80W-T/SF





**Catalog#: LFL8-SF**

**2-3/8" I.D. SLIP FITTER WITH 180° ADJUSTABILITY FOR LFL8-80W TO 300W, BRONZE**

**Category** LED  
**Barcode** 6-15624-01425-0

**Features:**

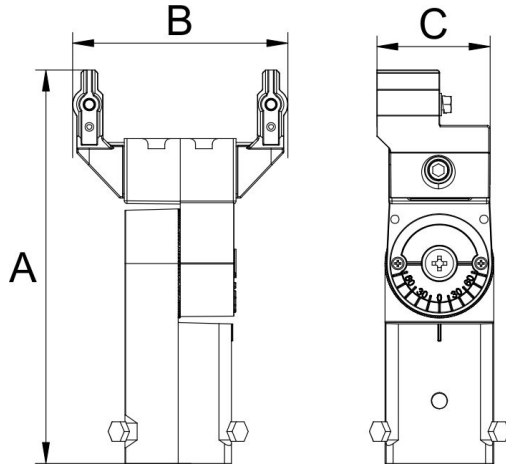
2-3/8" Inside Diameter, 180° Adjustable Slip Fitter for LFL8 Series [120~277V](#), [277~480V](#)

**Specifications:**

**Color** Bronze

**Dimensions:**

(A) 11-1/8" x (B) 6-1/8" x (C) 3-1/4"



**Packaging Info:**

**Std. Pkg** 5





**Catalog#: LFL8-T**  
**TRUNNION MOUNT FOR LFL8-80W TO 300W, BRONZE**

**Category** LED  
**Barcode** 6-15624-01427-4

**Features:**

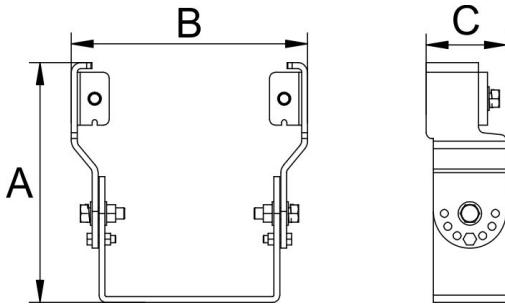
Trunion Mount for LFL8 Series [120~277V](#), [277~480V](#)

**Specifications:**

**Color** Bronze

**Dimensions:**

(A) 6-3/8" x (B) 6-3/8" x (C) 2-1/8"



**Packaging Info:**

**Std. Pkg** 10





**Catalog#: LFL8-YK**  
**YOKE MOUNT FOR LFL8-80W TO 300W, BRONZE**

**Category** LED

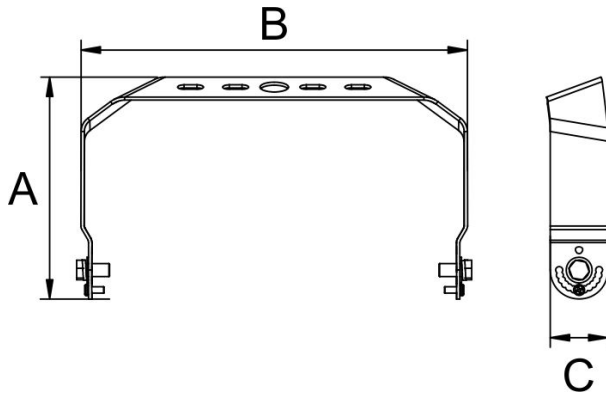
**Features:**

Yoke mount for LFL8 Series [120~277V](#), [277~480V](#)

**Specifications:**

**Color** Bronze

**Dimensions:**



Catalog Number	UPC	Description	Dimension
LFL8-YK-80	615624014281	Yoke Mount for LFL8 80W, 100W, 150W	(A) 6-3/4" x (B) 11-7/8" x (C) 1-3/4"
LFL8-YK-230	615624014298	Yoke Mount for LFL8 230W, 300W	(A) 10-1/8" x (B) 13-3/8" x (C) 2"







**Catalog#: LUHB3-T**  
**SURFACE MOUNT BRACKET (TRUNNION) FOR LUHB3, BLACK**

**Category** LED

**Features:**

Surface Mount Bracket (Trunnion) for LUHB3 Series

**Specifications:**

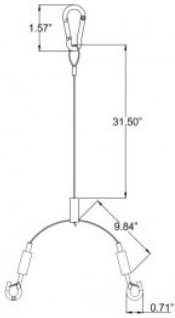
Color Black

**Packaging Info:**

Std. Pkg 20

Catalog Number	UPC	Description
LUHB3-T-100	615624014366	Trunnion Mount for <a href="#">LUHB3 100W-150W, 120~277V</a>
LUHB3-T-230	615624014373	Trunnion Mount for <a href="#">LUHB3 230W, 120~277V</a>
LUHB3-T-480V	615624014540	Trunnion Mount for <a href="#">LUHB3 277~480V</a>





**Catalog#: LLHB-SK**  
**3.4FT ADJUSTABLE SUSPENSION KIT FOR LED LINEAR HIGHBAY**

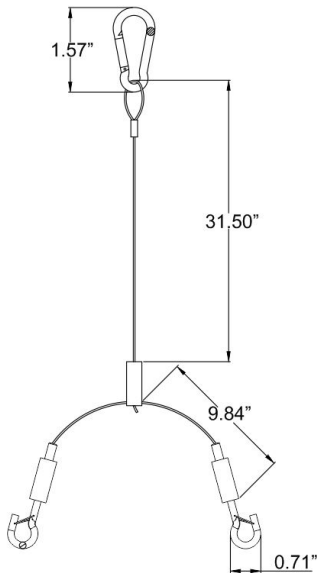
**Category**  
**Barcode**

LED  
615624013086

**Features:**

3.4ft Adjustable Suspension Kit for LED Linear Highbay [LLHB1-FL Series](#), [LLHB1 Series](#)

**Dimensions:**



**Packaging Info:**

Individual Pkg

2/Set





**Catalog#: WMT90**

**90° WALL MOUNT BRACKET WITH 2-3/8" O.D. TENON - BRONZE**

**Category**

LED

**Barcode**

615624014625

**Features:**

- 90° Wall Mount Bracket With Tenon
- Fit 2-3/8" I.D. Slip Fitter. Compatible with [LFL7 Slip-Fitter Mount LED](#), [LFL7-SF](#), [LFL8-SF](#)

**Specifications:**

Color

Bronze





**Catalog#: 4RPVT**  
**VERTICAL TENON FOR 4" ROUND POLE- BRONZE**

<b>Category</b>	LED
<b>Barcode</b>	615624014601

**Features:**

- Vertical Tenon Adaptor, fit on 4" Round Pole
- Fit 2-3/8" I.D. Slip Fitter. Compatible with [LFL7 Slip-Fitter Mount LED](#), [LFL7-SF](#), [LFL8-SF](#)

**Specifications:**

Color	Bronze
-------	--------

\* Need hex screwdriver to loosen/tighten screws.





**Catalog#: 5RPVT**  
**VERTICAL TENON FOR 5" ROUND POLE- BRONZE**

<b>Category</b>	LED
<b>Barcode</b>	615624014618

**Features:**

- Vertical Tenon Adaptor, fit on 5" Round Pole
- Fit 2-3/8" I.D. Slip Fitter. Compatible with [LFL7 Slip-Fitter Mount LED](#), [LFL7-SF](#), [LFL8-SF](#)

**Specifications:**

Color	Bronze
-------	--------

\* Need hex screwdriver to loosen/tighten screws.





**Catalog#: RTA180HZ2**

**2-3/8" O.D. HORIZONTAL 180° ROUND TENON ADAPTER, 2 HEADS, FIT O  
2-3/8" POLE - BRONZE**

**Category**

LED

**Barcode**

615624015929

**Features:**

- 2-Heads 180° Horizontal Round Tenon Adapter, fit on 2-3/8" Pole
- Fit 2-3/8" I.D. Slip Fitter. Compatible with [LFL7 Slip-Fitter Mount LED](#), [LFL7-SF](#), [LFL8-SF](#)

**Specifications:**

Color

Bronze





**Catalog#: RTA90HZ4**

**2-3/8" O.D. HORIZONTAL 90° ROUND TENON ADAPTER, 4 HEADS, FIT ON  
2-3/8" POLE - BRONZE**

**Category**

LED

**Barcode**

615624015936

**Features:**

- 4-Heads 90° Horizontal Round Tenon Adapter, fit on 2-3/8" Pole
- Fit 2-3/8" I.D. Slip Fitter. Compatible with [LFL7 Slip-Fitter Mount LED](#), [LFL7-SF](#), [LFL8-SF](#)

**Specifications:**

Color

Bronze





**Catalog#: 4ST90HZ2**  
**HORIZONTAL TWIN 90° TENON FOR 4" SQUARE POLE- BRONZE**

<b>Category</b>	LED
<b>Barcode</b>	615624012706

**Features:**

- Twin 90° Horizontal Tenon, fit on 4" Square Pole
- 2-3/4" O.D. Tenon for [LFL6 Slip-Fitter Mount LED](#), [LFL6-SF](#)

**Specifications:**

Color	Bronze
-------	--------







**Catalog#: 4ST90HZ3**

**HORIZONTAL TRIPLE 90° TENON FOR 4" SQUARE POLE-BRONZE**

**Category**

LED

**Barcode**

615624012713

**Features:**

- Triple 90° Horizontal Tenon, fit on 4" Square Pole
- 2-3/4" O.D. Tenon for [LFL6 Slip-Fitter Mount LED](#), [LFL6-SF](#)

**Specifications:**

Color

Bronze





**Catalog#: 4ST90HZ4**  
**HORIZONTAL QUAD 90° TENON FOR 4" SQUARE POLE-BRONZE**

<b>Category</b>	LED
<b>Barcode</b>	615624012720

**Features:**

- Quad 90° Horizontal Tenon, fit on 4" Square Pole
- 2-3/4" O.D. Tenon for [LFL6 Slip-Fitter Mount LED](#), [LFL6-SF](#)

**Specifications:**

Color	Bronze
-------	--------





**Catalog#: 4ST180HZ2**  
**HORIZONTAL TWIN 180° TENON FOR 4" SQUARE POLE- BRONZE**

<b>Category</b>	LED
<b>Barcode</b>	615624012690

**Features:**

- Twin 180° Horizontal Tenon, fit on 4" Square Pole
- 2-3/4" O.D. Tenon for [LFL6 Slip-Fitter Mount LED](#), [LFL6-SF](#)

**Specifications:**

Color	Bronze
-------	--------





**Catalog#: 4STVT**  
**VERTICAL TENON FOR 4" SQUARE POLE- BRONZE**

<b>Category</b>	LED
<b>Barcode</b>	615624012683

**Features:**

- Vertical Tenon Adaptor, fit on 4" Square Pole
- 2-3/4" O.D. Tenon for [LFL6 Slip-Fitter Mount LED](#), [LFL6-SF](#)

**Specifications:**

Color	Bronze
-------	--------

