

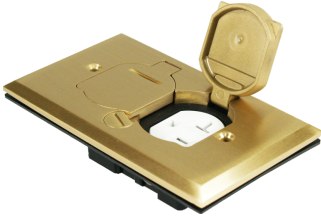


SUBMITTAL SHEETS

FLOOR BOX ASSEMBLIES

SPECIFICATION SHEET

1-Gang Flip & Round Plug Type Covers



FLB-D-C-BR



FLB-D-C-SS



FLB-R1G-C-BR



FLB-R1G-C-SS

DESCRIPTION:

Orbit's 1-Gang Flip & Round Plug Type Covers are used for either carpet, tile, or wood floors. Covers have 20A tamper resistant duplex receptacles and feature flip or round plug styles. In addition, Orbit's covers are available in Brass or Stainless Steel.

FEATURES:

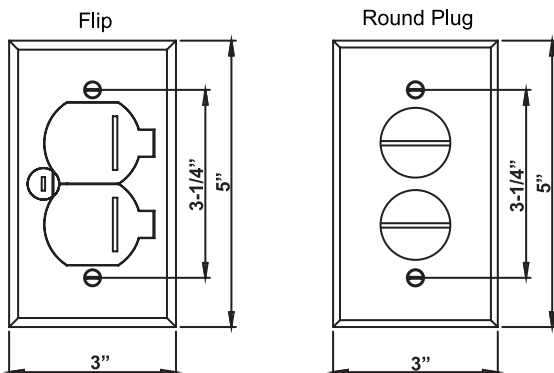
- 125 VAC
- For use with carpet, tile or wood floors
- Includes cover, device plate, receptacle, gaskets and screws
- Meets NEC Article 406.12 for tamper-resistant receptacles



SPECIFICATIONS:

Cat. No.	Cover Style			Std. Pkg.
	Type	Receptacle	Color	
FLB-D-C-BR	Flip	20A TR Duplex	Brass	10
FLB-D-C-SS	Flip	20A TR Duplex	Stainless Steel	10
FLB-R1G-C-BR	Round Plug	20A TR Duplex	Brass	10
FLB-R1G-C-SS	Round Plug	20A TR Duplex	Stainless Steel	10

DIMENSIONS:



SPECIFICATION SHEET

1-Gang Floor Box Assembly Flip & Round Plug Type



Exploded Assembly



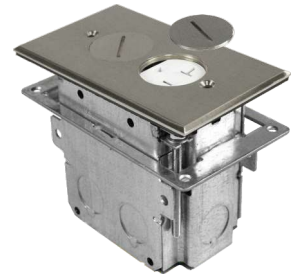
FLB-D-BR



FLB-D-SS



FLB-R1G-BR



FLB-R1G-SS

DESCRIPTION:

Orbit's 1-Gang Floor Box Assembly Flip & Round Plug Type are used for either carpet, tile, or wood floors. Assemblies feature a 1-gang adjustable box for fast and easy installation for new and existing work. Covers have 20A tamper resistant duplex receptacles and feature flip or round plug styles. In addition, Orbit's covers are available in Brass or Stainless Steel.

FEATURES:

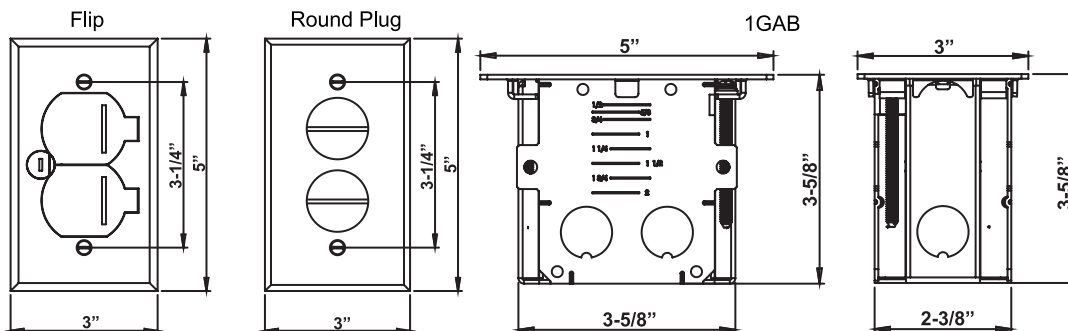
- 125 VAC
- For use with carpet, tile or wood floors
- Adjustable floor box adjusts from 0" - 2" and allows for both new and existing work
- Includes cover, device plate, receptacle, gaskets, screws and adjustable floor box
- Meets NEC Article 406.12 for tamper-resistant receptacles
- UL Listed E227970

SPECIFICATIONS:



Cat. No.	Box Type	Cover Style			Std. Pkg.
		Type	Receptacle	Color	
FLB-D-BR	1-Gang Adjustable Box, from 0" to 2"	Flip	20A TR Duplex	Brass	10
FLB-D-SS		Flip	20A TR Duplex	Stainless Steel	10
FLB-R1G-BR		Round Plug	20A TR Duplex	Brass	10
FLB-R1G-SS		Round Plug	20A TR Duplex	Stainless Steel	10

DIMENSIONS:



Floor Box Specifications:

Cat. No.	Knockouts		Cu. In.
	Sides	Bottom	
1GAB	(6)-1/2"	(2)-1/2"	23.5



SPECIFICATION SHEET

2-Gang Flip & Round Plug Type Covers



FLB-R2G-DL-C-BR



FLB-R2G-DL-C-SS



FLB-R2G-DD-C-BR



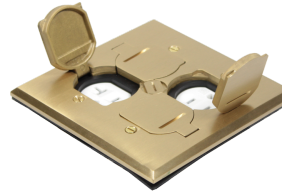
FLB-R2G-DD-C-SS



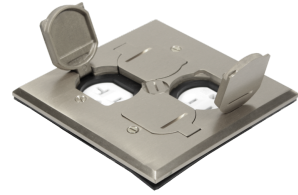
FLB-DL-C-BR



FLB-DL-C-SS



FLB-DD-C-BR



FLB-DD-C-SS

DESCRIPTION:

Orbit's 2-Gang Floor Box Assembly Flip & Round Plug Type are used for either carpet, tile, or wood floors. Covers are available with 20A duplex and low-voltage receptacles and either flip or round plug styles. In addition, Orbit's covers are available in Brass or Stainless Steel.

FEATURES:

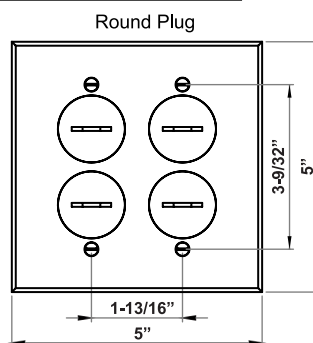
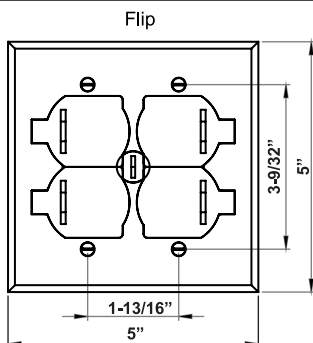
- 125 VAC
- For use with carpet, tile or wood floors
- Includes cover, device plate, receptacle, gaskets and screws
- Meets NEC Article 406.12 for tamper-resistant receptacles



SPECIFICATIONS:

Cat. No.	Cover Style			
	Type	Receptacle	Color	Std. Pkg.
FLB-R2G-DL-C-BR	Round Plug	20A TR Duplex + Keystone Jack Holder	Brass	10
FLB-R2G-DL-C-SS	Round Plug	20A TR Duplex + Keystone Jack Holder	Stainless Steel	10
FLB-DL-C-BR	Flip	20A TR Duplex + Keystone Jack Holder	Brass	10
FLB-DL-C-SS	Flip	20A TR Duplex + Keystone Jack Holder	Stainless Steel	10
FLB-R2G-DD-C-BR	Round Plug	(2) 20A TR Duplex	Brass	10
FLB-R2G-DD-C-SS	Round Plug	(2) 20A TR Duplex	Stainless Steel	10
FLB-DD-C-BR	Flip	(2) 20A TR Duplex	Brass	10
FLB-DD-C-SS	Flip	(2) 20A TR Duplex	Stainless Steel	10

DIMENSIONS:



SPECIFICATION SHEET Adjustable 2-Gang Floor Box Assembly Flip & Round Plug Type



FLB-R2G-DL-BR



FLB-R2G-DL-SS



FLB-R2G-DD-BR*



FLB-R2G-DD-SS*



FLB-DL-BR



FLB-DL-SS



FLB-DD-BR*



FLB-DD-SS*

DESCRIPTION:

Orbit's Adjustable 2-Gang Flip & Round Plug Type Covers are used for either carpet, tile, or wood floors. Covers are available with 20A duplex and low-voltage receptacles and either flip or round plug styles. In addition, Orbit's covers are available in Brass or Stainless Steel.

FEATURES:

- 125 VAC
- Adjustable Box 0" - 1"
- 20A tamper-resistant receptacle
- For use with carpet, tile or wood floors
- Steel floor boxes must be installed flush with finished floor prior to final installation
- Includes cover, receptacle, screws and 2-Gang Floor Box
- Meets NEC Article 406.12 for tamper-resistant receptacles
- *UL Listed E227970

SPECIFICATIONS:

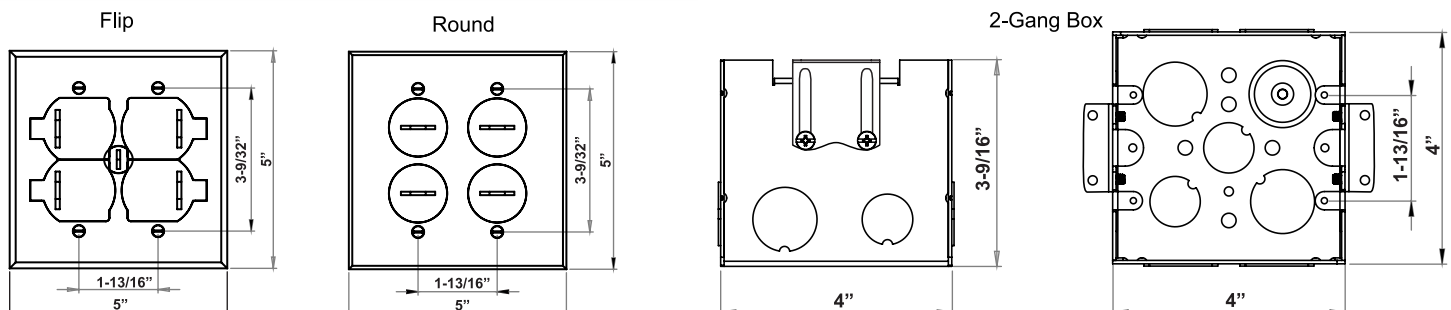


Cat. No.	Box Type	Cover Style			Std. Pkg.
		Type	Receptacle	Color	
FLB-R2G-DL-BR	2-Gang Box (4" x 4" x 3-9/16" 46.0 Cu. In.)	Round Plug	20A TR Duplex + Keystone Jack Holder	Brass	10
FLB-R2G-DL-SS		Round Plug	20A TR Duplex + Keystone Jack Holder	Stainless Steel	10
FLB-DL-BR		Flip	20A TR Duplex + Keystone Jack Holder	Brass	10
FLB-DL-SS		Flip	20A TR Duplex + Keystone Jack Holder	Stainless Steel	10
FLB-R2G-DD-BR*		Round Plug	(2) 20A TR Duplex	Brass	10
FLB-R2G-DD-SS*		Round Plug	(2) 20A TR Duplex	Stainless Steel	10
FLB-DD-BR*		Flip	(2) 20A TR Duplex	Brass	10
FLB-DD-SS*		Flip	(2) 20A TR Duplex	Stainless Steel	10

Floor Box Specifications:

Floor Box	Knockouts		Cu. In.
	Sides	Bottom	
2-Gang Box	(2)-1/2", (2)-3/4" & (4)-3/4" CKO	(2)-1/2" & (2)-3/4"	46.0

DIMENSIONS:



SPECIFICATION SHEET

1-Gang Pop-up Type Covers



FLBPU-D-R-C-BR



FLBPU-D-R-C-SS



FLBPU-D-S-C-BR



FLBPU-D-S-C-SS



FLBPU-G-R-C-BR



FLBPU-G-R-C-SS



FLBPU-L-R-C-BR



FLBPU-L-R-C-SS



FLBPU-L-S-C-BR



FLBPU-L-S-C-SS



FLBPU-DU-R-C-BR



FLBPU-DU-R-C-SS

DESCRIPTION:

Orbit's 1-Gang Pop-up Type Covers are used for either carpet, tile, or wood floors. Pop-up covers are accessible when needed and can be retracted when not in use. Covers are available with 20A duplex, low-voltage (CAT5E), GFCI, and USB receptacles and either round or square. In addition, Orbit's covers are available in Brass or Stainless Steel.

FEATURES:

- 125 VAC
- For use with carpet, tile or wood floor installations
- Rated for counter top applications following NEC Code
- Includes cover, receptacle, plastic box cover, and screws
- Meets NEC Article 406.12 for tamper-resistant receptacles



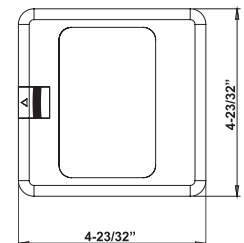
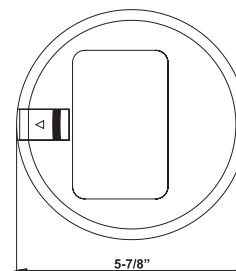
SPECIFICATIONS:

DIMENSIONS:

Cat. No.	Cover Style			Std. Pkg.
	Receptacle	Shape	Color	
FLBPU-D-R-C-BR	20A TR Duplex	Round	Brass	10
FLBPU-D-R-C-SS	20A TR Duplex	Round	Stainless Steel	10
FLBPU-D-S-C-BR	20A TR Duplex	Square	Brass	10
FLBPU-D-S-C-SS	20A TR Duplex	Square	Stainless Steel	10
FLBPU-L-R-C-BR	Low-Voltage (CAT5E)	Round	Brass	10
FLBPU-L-R-C-SS	Low-Voltage (CAT5E)	Round	Stainless Steel	10
FLBPU-L-S-C-BR	Low-Voltage (CAT5E)	Square	Brass	10
FLBPU-L-S-C-SS	Low-Voltage (CAT5E)	Square	Stainless Steel	10
FLBPU-G-R-C-BR	20A TR Cooper GFCI	Round	Brass	10
FLBPU-G-R-C-SS	20A TR Cooper GFCI	Round	Stainless Steel	10
FLBPU-DU-R-C-BR	20A TR Duplex + (2) USB Ports	Round	Brass	10
FLBPU-DU-R-C-SS	20A TR Duplex + (2) USB Ports	Round	Stainless Steel	10

Round Cover

Square Cover



SPECIFICATION SHEET

1-Gang Floor Box Assembly Pop-up Type



DESCRIPTION:

Orbit's 1-Gang Floor Box Assembly Pop-up Type are used for either carpet, tile, or wood floors. Ears on the floor box are installed flush to finished floor using screws before installing the cover. Pop-up covers are accessible when needed and can be retracted when not in use. Covers are available with 20A duplex, low-voltage (CAT5E), GFCI, and USB receptacles and either round or square. In addition, Orbit's covers are available in Brass or Stainless Steel.

FEATURES:

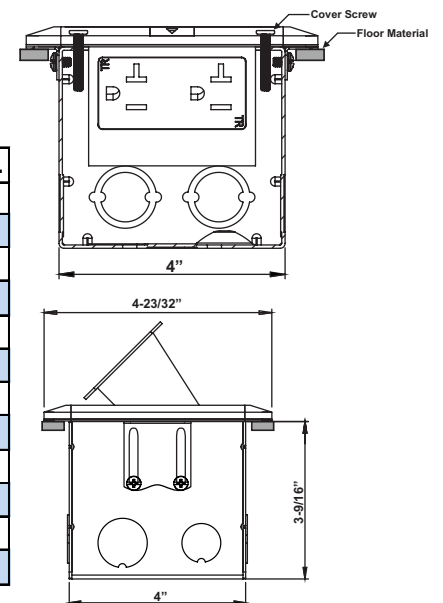
- 125 VAC
- For use with carpet, tile or wood floor installations
- Rated for counter top applications following NEC Code
- Steel floor boxes must be installed flush with finished floor prior to final installation
- Includes cover, receptacle, screws and 1-Gang Floor Box
- Meets NEC Article 406.12 for tamper-resistant receptacles

SPECIFICATIONS:



Cat. No.	Box Type	Cover Style			Std. Pkg.
		Receptacle	Shape	Color	
FLBPU-D-R-BR	Square Box (4" x 4" x 3-9/16" 46.0 Cu. In.)	20A TR Duplex	Round	Brass	10
FLBPU-D-R-SS		20A TR Duplex	Round	Stainless Steel	10
FLBPU-D-S-BR		20A TR Duplex	Square	Brass	10
FLBPU-D-S-SS		20A TR Duplex	Square	Stainless Steel	10
FLBPU-L-R-BR		Low-Voltage (CAT5E)	Round	Brass	10
FLBPU-L-R-SS		Low-Voltage (CAT5E)	Round	Stainless Steel	10
FLBPU-L-S-BR		Low-Voltage (CAT5E)	Square	Brass	10
FLBPU-L-S-SS		Low-Voltage (CAT5E)	Square	Stainless Steel	10
FLBPU-G-R-BR		20A TR Cooper GFCI	Round	Brass	10
FLBPU-G-R-SS		20A TR Cooper GFCI	Round	Stainless Steel	10
FLBPU-DU-R-BR		20A TR Duplex + (2) USB Ports	Round	Brass	10
FLBPU-DU-R-SS		20A TR Duplex + (2) USB Ports	Round	Stainless Steel	10

DIMENSIONS:



Floor Box Specifications:

Floor Box	Knockouts		Cu. In.
	Sides	Bottom	
1-Gang Pop-up	(2)-1/2", (2)-3/4" & (4)-3/4" CKO	(2)-1/2" & (2)-3/4"	46.0



SPECIFICATION SHEET

2-Gang Floor Box Pop-up Type Covers



FLBPU-DD-C-BR



FLBPU-DD-C-SS



FLBPU-LL-C-BR



FLBPU-LL-C-SS



FLBPU-DL-C-BR



FLBPU-DL-C-SS

DESCRIPTION:

Orbit's 2-Gang Floor Box Pop-up Type Covers are used for either carpet, tile, or wood floors. Pop-up covers are accessible when needed and can be retracted when not in use. Covers have 20A tamper resistant duplex and low-voltage receptacles. In addition, Orbit's covers are available in Brass or Stainless Steel.

FEATURES:

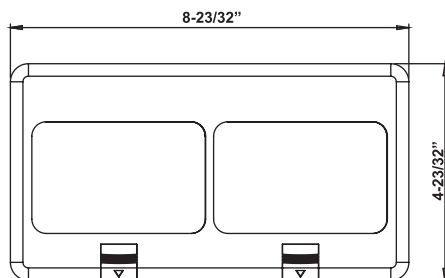
- 125 VAC
- For use with carpet, tile or wood floor installation
- Rated for counter top applications following NEC Code
- Includes cover, receptacle, and screws
- Meets NEC Article 406.12 for tamper-resistant receptacles



SPECIFICATIONS:

Cat. No.	Cover Style		Std. Pkg.
	Receptacle	Color	
FLBPU-DD-C-BR	(2) 20A TR Duplex	Brass	10
FLBPU-DD-C-SS	(2) 20A TR Duplex	Stainless Steel	10
FLBPU-LL-C-BR	(2) Low-Voltage (CAT5E)	Brass	10
FLBPU-LL-C-SS	(2) Low-Voltage (CAT5E)	Stainless Steel	10
FLBPU-DL-C-BR	20A TR Duplex + Low-Voltage (CAT5E)	Brass	10
FLBPU-DL-C-SS	20A TR Duplex + Low-Voltage (CAT5E)	Stainless Steel	10

DIMENSIONS:



SPECIFICATION SHEET 2-Gang Floor Box Assembly Pop-up Type



FLBPU-DD-BR

FLBPU-DD-SS

FLBPU-LL-BR

FLBPU-LL-SS

FLBPU-DL-BR

FLBPU-DL-SS

DESCRIPTION:

Orbit's 2-Gang Floor Box Assembly Pop-up Type are used for either carpet, tile, or wood floors. Ears on the floor box are installed flush to finished floor using screws before installing the cover. Pop-up covers are accessible when needed and can be retracted when not in use. Covers have 20A tamper resistant duplex and low-voltage receptacles. In addition, Orbit's covers are available in Brass or Stainless Steel.

FEATURES:

- 125 VAC
- For use with carpet, tile or wood floor installation
- Rated for counter top applications following NEC Code
- Steel floor boxes must be installed flush with finished floor prior to final installation
- Includes cover, receptacle, screws and 2-Gang Floor Box
- Meets NEC Article 406.12 for tamper-resistant receptacles



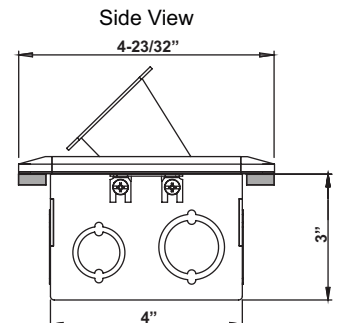
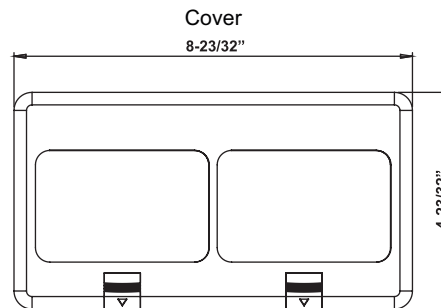
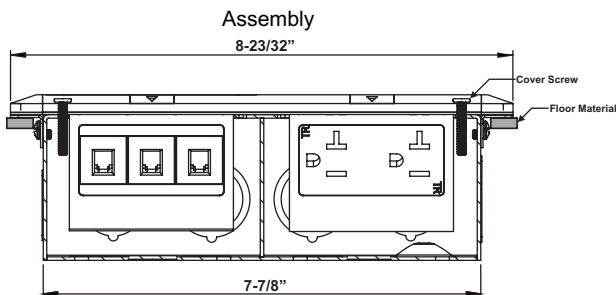
SPECIFICATIONS:

Cat. No.	Box Type	Cover Style		
		Receptacle	Color	Std. Pkg.
FLBPU-DD-BR	2-Gang Box (4" x 7-7/8" x 3" 86.0 Cu. In.)	(2) 20A TR Duplex	Brass	10
FLBPU-DD-SS		(2) 20A TR Duplex	Stainless Steel	10
FLBPU-LL-BR		(2) Low-Voltage (CAT5E)	Brass	10
FLBPU-LL-SS		(2) Low-Voltage (CAT5E)	Stainless Steel	10
FLBPU-DL-BR		20A TR Duplex + Low-Voltage (CAT5E)	Brass	10
FLBPU-DL-SS		20A TR Duplex + Low-Voltage (CAT5E)	Stainless Steel	10

Floor Box Specifications:

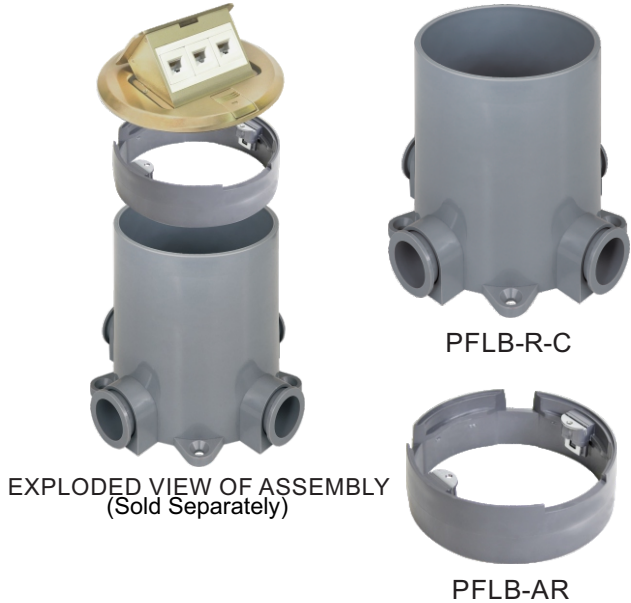
Floor Box	Knockouts		Cu. In.
	Sides	Bottom	
2-Gang Pop-up	(6)-1/2" CKO & (6)-1" CKO	(6)-1/2" & (3)-3/4"	86.0

DIMENSIONS:

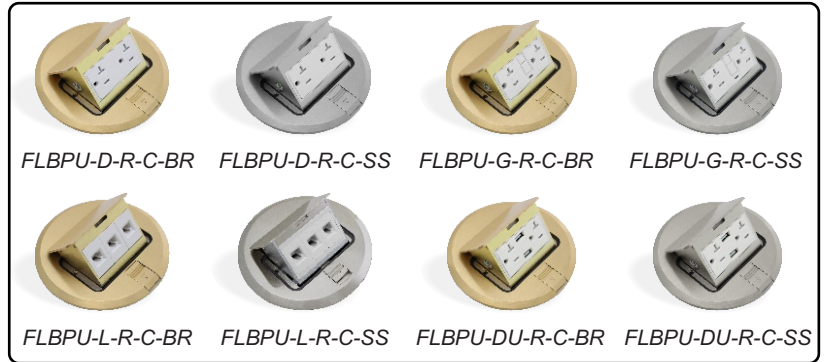


SPECIFICATION & FEATURES

CONCRETE FLOOR BOX



Floor Box Compatibility Table:



DESCRIPTION:

Orbit's Concrete Floor Boxes feature a round PVC floor box and PVC adapter ring for installing floor box covers in concrete. Concrete Floor Box includes plugs and cap for sealing box and unused outlets when pouring concrete. Adapter ring (sold separately) allows for installation of round pop-up floor box covers.

FEATURES:

- PVC Plastic
- PFLB-R-C minimum depth 3.75"
- PFLB-R-C includes a cap and 4 reducer plugs (1" x 3/4")
- Adapter ring allows for installation of round pop-up floor box covers (sold separately)



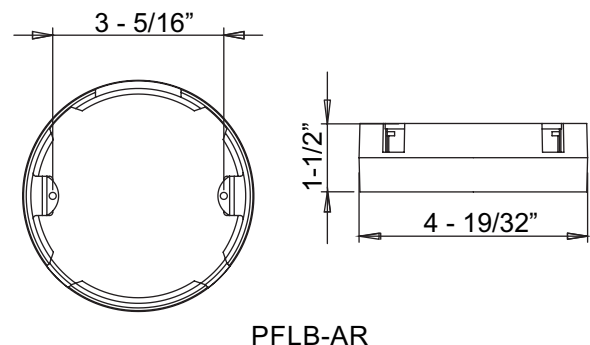
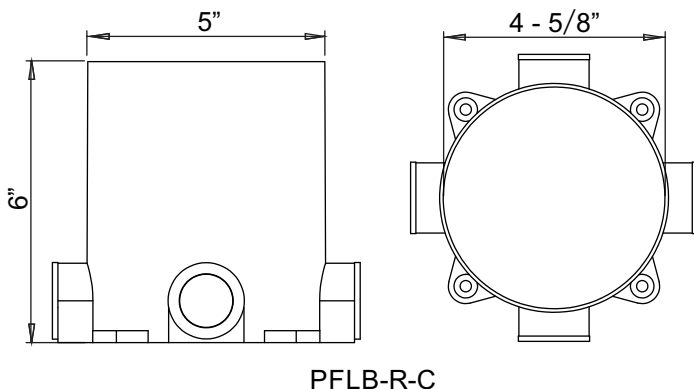
SPECIFICATIONS:

Cat. No.	Description	Use With	Std. Pkg.	Master Carton
PFLB-R-C	Round PVC Floor Box for concrete slab installations	PFLB-AR	10	-
PFLB-AR	PVC Adapter Ring for round floor box pop-up covers (Sold Separately)	PFLB-R-C	10	100

Floor Box Specifications:

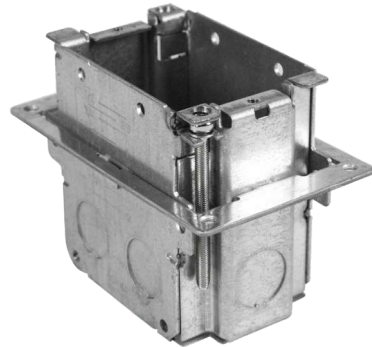
Floor Box	Openings	
	Sides	Cu. In.
PFLB-R-C	(4) - 1" to 3/4"	90.0

DIMENSIONS:



SPECIFICATION SHEET

1-Gang Adjustable Floor Box



1GAB

DESCRIPTION:

Orbit's 1-Gang Adjustable Floor Boxes are used to install 1-gang flip lid or round plug type covers for either carpet, tile, or wood floors when finished floor depth is not know. Corner screws on the floor box allows for adjustment of depth from 0" to 2" and allows for installation in either sub-floors or finished floors. In addition, adjustable floor box features holes for installing to studs for side mounting applications.

FEATURES:

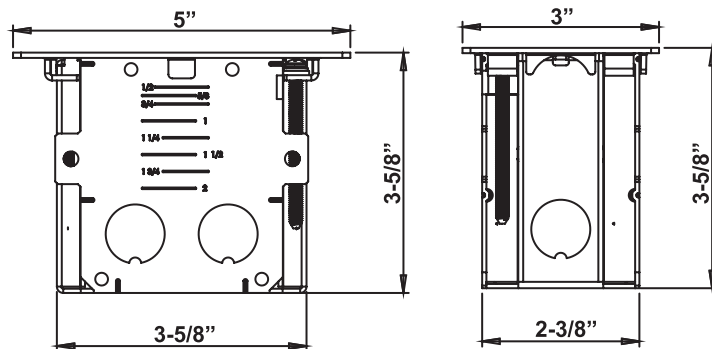
- Adjustable floor boxes allows for fast and easy installation for both new and existing work
- Adjusts from 0" to 2" using corner screws
- For use in carpet, tile, and wood
- Meets NEC Article 406.12 for tamper-resistant receptacles
- UL Listed E227970

SPECIFICATIONS:



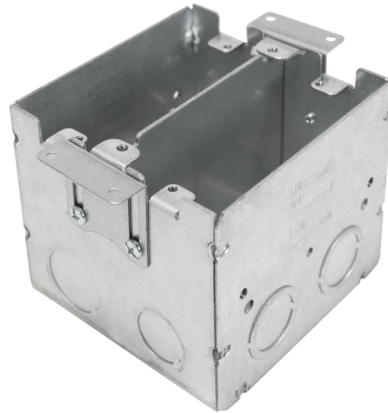
Cat. No.	Description	Knockouts		Cu. In.
		Sides	Bottom	
1GAB	Adjustable Box only, Adjustable from 0" to 2"	(6)-1/2"	(2)-1/2"	23.5

DIMENSIONS:



SPECIFICATION SHEET

ADJUSTABLE 2-GANG STEEL FLOOR BOX



FLB-4SEDB-2G

DESCRIPTION:

Orbit's 2-Gang Floor Boxes are used to install 2-gang flip lid or round plug type covers for either carpet, tile, or wood floors. Recessed cover holes allow for flush installation between the cover and the top of the floor box. Includes a partition for applications using low voltage receptacles. In addition, can be used to install in concrete when using wood concrete forms.

FEATURES:

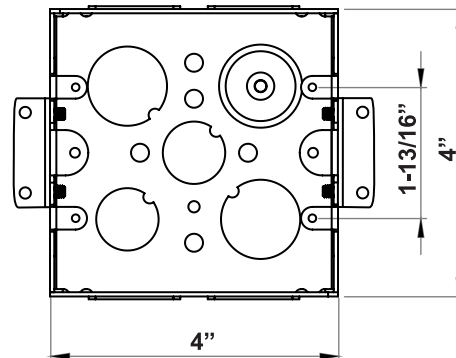
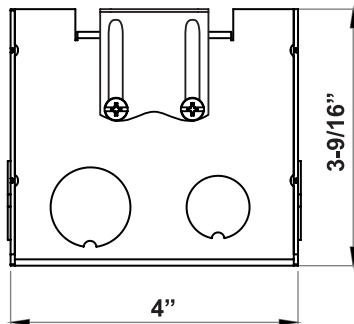
- Adjustable 0" - 1"
- For use in carpet, tile, and wood
- Able to install to concrete when using wood concrete forms
- Recessed cover holes allows for box to be flush with cover
- Removable partition included
- Meets NEC Article 406.12 for tamper-resistant receptacles

SPECIFICATIONS:



Floor Box	Description	Knockouts		Cu. In.
		Sides	Bottom	
FLB-4SEDB-2G	4S FLOOR BOX 3-1/2" DEEP, 1/2" & 3/4" KO, 0" - 1" ADJUSTABLE, WITH PARTITION	(2)-1/2", (2)-3/4" & (4)-3/4" CKO	(2)-1/2" & (2)-3/4"	46.0

DIMENSIONS:



SPECIFICATION SHEET

ADJUSTABLE 1-GANG POP-UP FLOOR BOX



FLB-4SEDB

DESCRIPTION:

Orbit's Adjustable 1-Gang Pop-up Floor Boxes are used to install 1-gang pop-up covers for either carpet, tile, or wood floors. In addition, can be used to install in concrete when using wood concrete forms.

FEATURES:

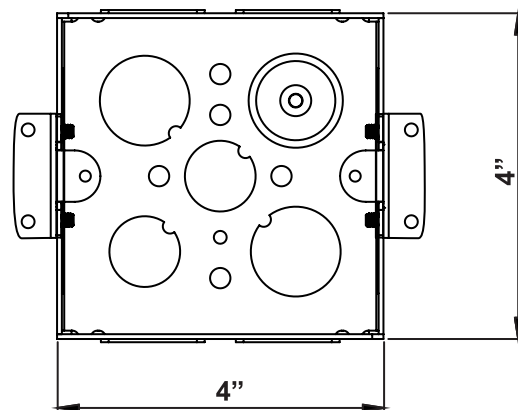
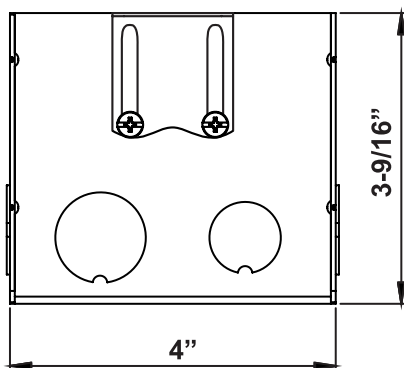
- Adjustable 0 - 1"
- For use in carpet, tile, and wood
- Able to install to concrete when using wood concrete forms
- Meets NEC Article 406.12 for tamper-resistant receptacles

SPECIFICATIONS:



Floor Box	Description	Knockouts		Cu. In.
		Sides	Bottom	
FLB-4SEDB	4" FLOOR BOX 3-1/2" DEEP, 1/2" & 3/4" KO, 0 - 1" Adjustable	(2)-1/2", (2)-3/4" & (4)-3/4" CKO	(2)-1/2" & (2)-3/4"	46.0

DIMENSIONS:



SPECIFICATION SHEET

2-Gang Pop-up Floor Box



FLB-48DB

DESCRIPTION:

Orbit's 2-Gang Pop-up Floor Boxes are used to install 2-gang pop-up covers for either carpet, tile, or wood floors. In addition, can be used to install in concrete when using wood concrete forms.

FEATURES:

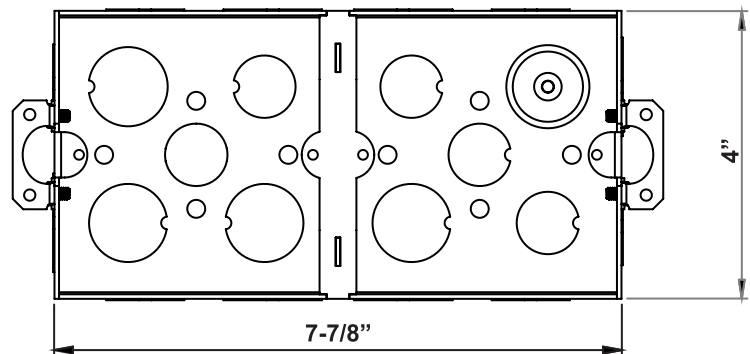
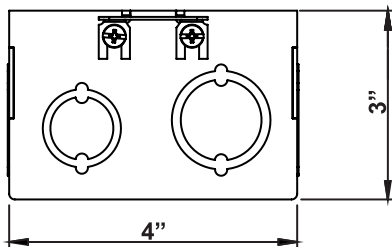
- For use in carpet, tile, and wood
- Able to install to concrete when using wood concrete forms
- Meets NEC Article 406.12 for tamper-resistant receptacles



SPECIFICATIONS:

Floor Box	Description	Knockouts		Cu. In.
		Sides	Bottom	
FLB-48DB	2-GANG FLOOR BOX 3" DEEP, 1/2" & 3/4" KO, WITH OLD WORK CLIP	(6)-1/2" CKO & (6)-1" CKO	(6)-1/2" & (3)-3/4"	86.0

DIMENSIONS:



SPECIFICATION & FEATURES

FLOOR BOX ACCESSORIES



CONFIGURATION DATA:

Part No.	Description
RP-100-BR	Round Plug 1" for R1G & R2G Covers - Brass
RP-100-SS	Round Plug 1" for R1G & R2G Covers - Stainless Steel
KJH4P-W	Keystone Jack Holder 4-Port - White
KJF-W	Keystone Jack F-Connector - White
KJB-W	Keystone Jack Blank - White
KJH-W	Keystone Jack Holder HDMI - White
KJC5E-W	Keystone Jack CAT5E - White
KJC6-W	Keystone Jack CAT6 - White
KJC6A-W	Keystone Jack CAT6A - White

