

PEDESTAL POSTS

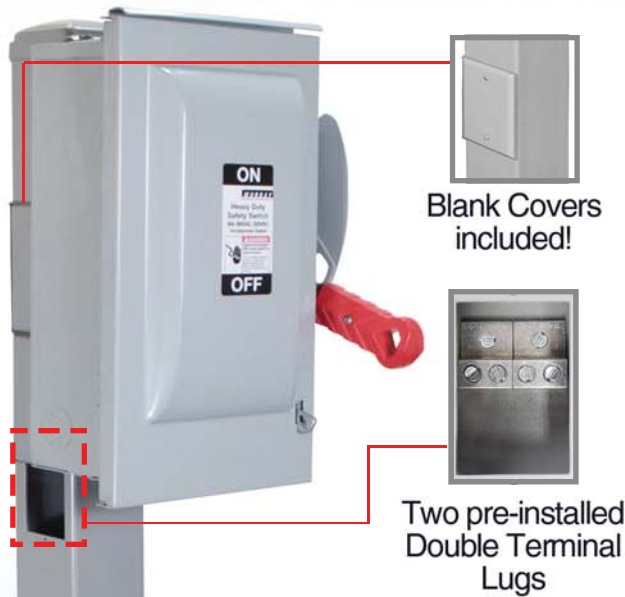
NEMA 3R LISTED RACEWAYS



EC&M.
Product of the Year
2021 Category Winner

SERVE POWER TO **99%** OF ALL COMMON ROOFTOP EQUIPMENT

- NEMA 3R Listed raceway
- Stand-alone Post needs **no extra bracing**
- **ONE roof penetration** per post - minimizes impact to rooftop integrity
- **Route all conduit below roof-line** - further improves structural integrity and roof aesthetic
- Ideal for off-site prefabrication
- 12" Extension Coupling available



PATENT PENDING



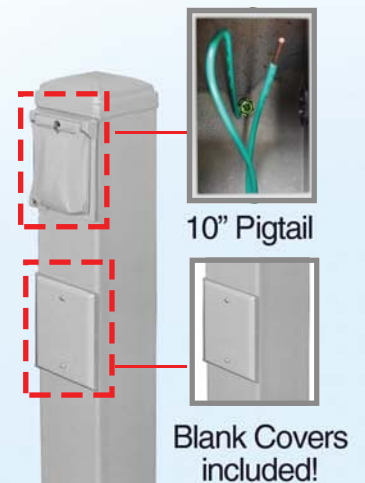
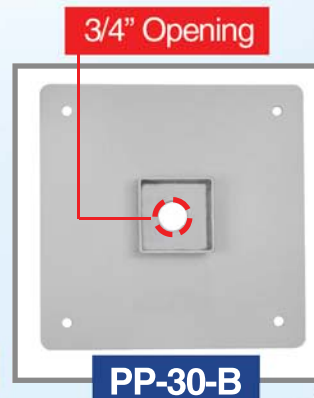
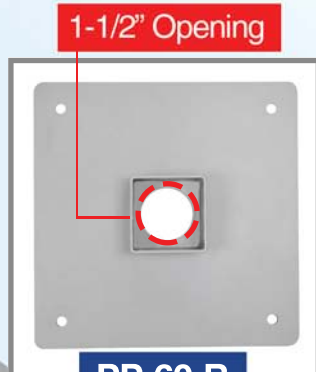
60" POST

Taller design ideal for fused and non-fused safety switches

30" POST

Place service receptacles within 25 ft. of equipment, per **NEC 210.63**

Base & Stand Shown Installed Sold Separately



12" Extension Coupling (Sold Separate)

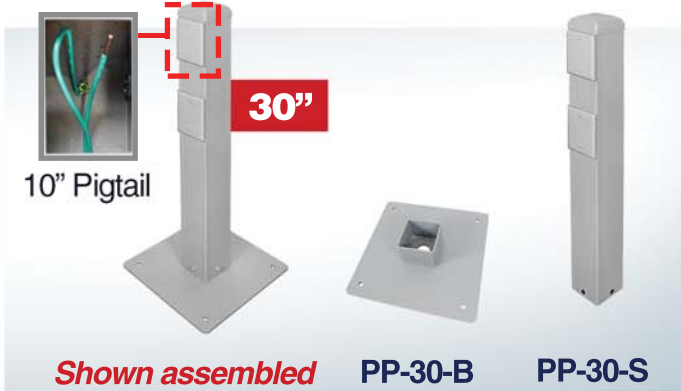
* Posts only sold with gasketed blank covers

PEDESTAL POSTS

NEMA 3R LISTED RACEWAYS

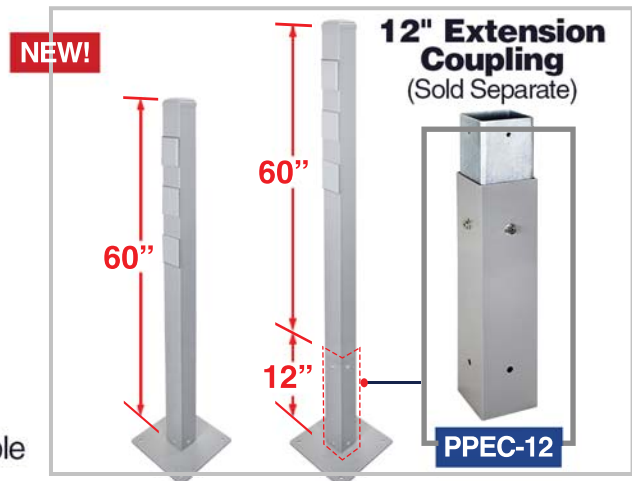


PATENT PENDING



GENERAL SPECIFICATIONS

- **Stand Material:** 13 Gauge Steel
- **Base Material:** 3 Gauge Steel
- **Finish:** Gray Powder Coating
- Base includes Installation Instructions and 4-pack of 1/4"-20 Bolts for assembling Stand
- Base made with four hole provisions for 3/8" anchor bolts or stud anchors (not included)
- Base and Stand sold separately
- PPEC-12 adds 12" of height to Stands. Infinitely stackable



PP-30 SYSTEM SPECIFICATIONS

- Two (2) device openings with gasketed Blank Covers
- Includes 10-32 Ground Screw with 10" Solid Cu. #12AWG Pigtail (top device opening)
- **Base opening 3/4"**

PP-60 SYSTEM SPECIFICATIONS

- Three (3) device openings with gasketed Blank Covers
- Includes two (2) #1/0-14AWG Double Terminal Lugs (center device opening), with four (4) available terminals
- Ideal for grounding and bonding
- **Base opening 1-1/2"**

	Cat. No.	Description	Trade Size	Dimensions (W x D)	Std. Pkg.
30"	PP-30-B	Pedestal Post 30" Base	3/4"	10" x 10"	4
	PP-30-S	Pedestal Post 30" Stand	-	3" x 3"	4
60"	PP-60-B	Pedestal Post 60" Base	1-1/2"	10" x 10"	2
	PP-60-S	Pedestal Post 60" Stand	-	3" x 3"	2
12" EXT	PPEC-12	12" Extension Coupling (Hardware Included)	-	12" x 3" x 3"	4

ROOF SEALANT DISCLAIMER: End users are advised to work with roofing contractor to ensure Pedestal Posts installed on rooftops are properly sealed in accordance with all applicable code enforcement agencies; authorities having jurisdiction (AHJ); city, county and state building codes; project specifications, et. al.