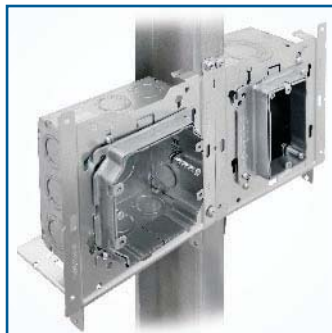


## Ready-To-Install Products | Pg. P7 - 8 **PATENTED**



**IN-STOCK,  
PRE-ASSEMBLED  
ROUGH-IN PRODUCTS**

With Orbit's Ready-To-Install product line, contractors can take more control of their TRUE cost - and order assemblies as ONE part number. Catalog products ship immediately, with little assembly required on site. Results in less planning, handling, and waste.



**DIRECT-TO-STUD**



**BETWEEN STUDS**



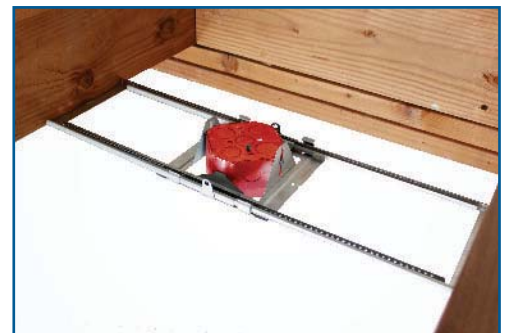
**CEILING T-BAR**



**FIRE ALARM**



**ADJUSTABLE MULTI-GANG**



**CEILING HARD LID**

