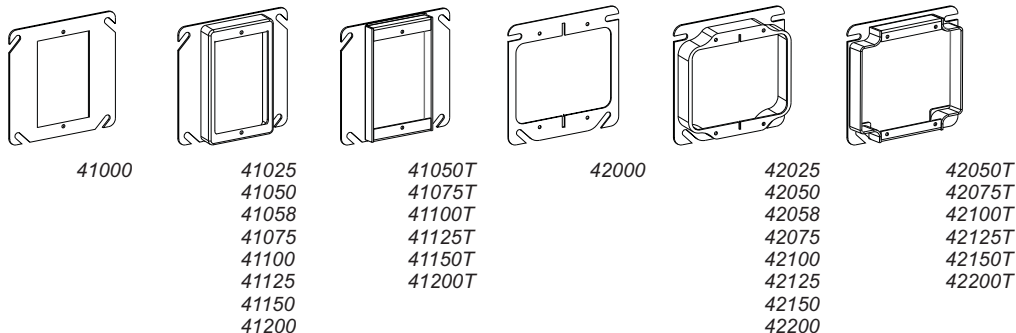


A12 | 4S Covers & Rings

4" SQUARE (4S) 1-GANG & 2-GANG DEVICE RINGS FLAT, DRAWN & TILE (T)

Drawn Cat. No.	Tile Cat. No.	Description	Gangs	Cu. In.	Std. Pkg.
41000	-	Flat	1	-	50
41025	-	Raised 1/4"	1	1.8	50
41050	41050T	Raised 1/2"	1	3.8	50
41058	-	Raised 5/8"	1	4.3	50
41075	41075T	Raised 3/4"	1	5.5	50
41100	41100T	Raised 1"	1	7.5	25
41125	41125T	Raised 1-1/4"	1	9.4	25
41150	41150T	Raised 1-1/2"	1	11.2	25
41200	41200T	Raised 2"	1	14.4	25
42000	-	Flat	2	-	50
42025	-	Raised 1/4"	2	3.0	50
42050	42050T	Raised 1/2"	2	5.8	50
42058	-	Raised 5/8"	2	7.5	50
42075	42075T	Raised 3/4"	2	8.8	50
42100	42100T	Raised 1"	2	11.8	25
42125	42125T	Raised 1-1/4"	2	14.5	25
42150	42150T	Raised 1-1/2"	2	15.5	25
42200	42200T	Raised 2"	2	20.7	25



4" SQUARE (4S) COVERS FLAT OR DRAWN

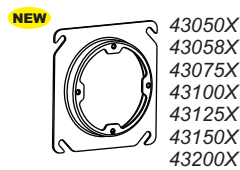
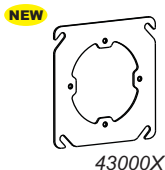
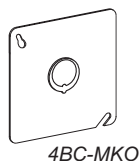
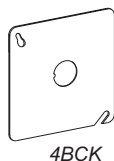
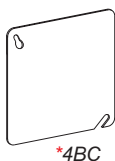
PRODUCT FEATURES

- ▶ For X covers, four dual-direction mounting tabs -install devices in any orientation

NOTE

- ▶ *Available in Durable Red Powder Coat Finish (pg. A24)

Cat. No.	Description	Cu. In.	Std. Pkg.
*4BC	Flat, Blank	-	50
4BCK	Flat, 1/2" KO	-	50
4BC-MKO	Flat, MKO	-	50
43000X NEW	Flat, Open, Dual Dir. Ears 2-3/4" O.C.	-	50
43050X NEW	Raised 1/2", Open, Dual Dir. Ears 2-3/4" O.C.	3.0	50
43058X NEW	Raised 5/8", Open, Dual Dir. Ears 2-3/4" O.C.	4.0	50
43075X NEW	Raised 3/4", Open, Dual Dir. Ears 2-3/4" O.C.	5.0	50
43100X NEW	Raised 1", Open, Dual Dir. Ears 2-3/4" O.C.	6.8	25
43125X NEW	Raised 1-1/4", Open, Dual Dir. Ears 2-3/4" O.C.	8.5	25
43150X NEW	Raised 1-1/2", Open, Dual Dir. Ears 2-3/4" O.C.	9.7	25
43200X NEW	Raised 2", Open, Dual Dir. Ears 2-3/4" O.C.	12.9	25



**DUAL-DIRECTION
FIXTURE RINGS**
Orbit's New Standard