



SUBMITTAL SHEETS

PREFAB PRODUCTS - P

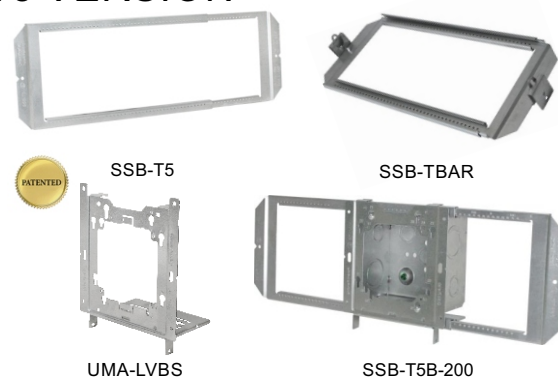
SPECIFICATION & FEATURES

DESCRIPTION:

Orbit Industries' Simple Support Bracket for Up To 5" Boxes (SSB-T5) expands from 15" to 25" to suit all common wall stud and hard lid ceiling cavities. SSB-T5 is the first telescoping bracket to accept 4", 4-11/16" and 5" square boxes. Quickly and easily mount junction boxes anywhere between studs, via snap-on Orbit Adapters (UMA for 4" and 4-11/16" – UMA-LVBS for up to 5"). Rigid, double-rail design requires no extra back support – even at full extension! Up to three outlet boxes between 24" stud bays. Patented. UL Listed.

To order SSB-T5 preassembled in a variety of configurations, please see Orbit's Ready-To-Install product line.

SIMPLE SUPPORT BRACKET T5 VERSION



FEATURES:

- Telescoping bracket adjusts from 15" to 25"
- Mount boxes between studs or overhead between hard lid ceiling joists (for T-grid, see SSB-TBAR)
- SSB-TBAR includes two riveted clips for T-bar drop ceiling installation. Tek screw provisions on each clip help comply with NEC 314.23 (D) (1)
- T-bar grid clips on SSB-TBAR also include seismic wiring holes to meet earthquake codes
- Install boxes quickly with snap-on Adapters: UMA (4" and 4-11/16" Sq. only) and UMA-LVBS (up to 5" Sq.)
- UMA-LVBS permits 4" mud ring attachment to 4", 4-11/16" and 5" square boxes
- Slide junction box to critical position - lock in place with one Tek screw
- Compatible with Orbit snap-on Adjustable Boxes: UMAB Series (3-1/2" deep 4S box) and UMAB-4R Series (4O octagon box)
- Compatible with Ready-to-Install LVBS Assemblies (include adapter, box and/or ring)
- Add and remove boxes without detaching SSB-T5 from studs or disassembling bracket
- Mounts up to three junction boxes between 24" wall studs
- Rigidity eliminates need for far-side back support
- Horizontal pin-holes provide quick starting point for screws
- Optional BMCS Series provides built-in cable/conduit support
- Compatible with Orbit's UL Adjustable Rings
- Use LVSB Series Rings for low voltage applications that require no back-box
- Ideal for Prefabrication: collapse and expand SSB-T5 without removing junction boxes or adapters
- Order SSB-T5 as a Ready-to-Install product, available in a variety of box sizes, types and mounting styles
- Recommended for use with boxes 2-1/8" deep or (deeper)
- SSB-T5 Patented

CONFIGURATION DATA:

Part No.	Description	Sides K.O.	Bottom K.O.	Std.Pkg.
SSB-T5	SIMPLE SUPPORT BRACKET FITS 4", 4-11/16" OR 5" BOXES, EXPANDS FROM 15" TO 25"	-	-	25
SSB-TBAR	SIMPLE SUPPORT BRACKET WITH T-BAR DROP CEILING MOUNTING CLIPS	-	-	20
SSB-4S	PREASSEMBLED SSB-T5 WITH UMA AND 4" (4S) 2-1/8" DEEP BOX WITH 10" GROUND PIGTAIL	(8) - 1/2", (4) - 3/4"	(2) - 1/2", (2) - 3/4"	12
SSB-4S-MKO	PREASSEMBLED SSB-T5 WITH UMA AND 4" (4S) 2-1/8" DEEP BOX WITH 10" GROUND PIGTAIL	(8) - 1/2", (4) - MKO	(2) - 1/2", (2) - MKO	12
SSB-5S-MKO	PREASSEMBLED SSB-T5 WITH UMA and 4-11/16" (5S) 2-1/8" DEEP BOX WITH 10" GROUND PIGTAIL	(2) - 1/2", (10) - MKO	(2) - 1/2", (2) - MKO	12
SSB-T5B-200	PREASSEMBLED SSB-T5 WITH UMA-LVBS AND TRUE 5" SQUARE BOX	(2) - 1" to 2" CKO, (2) - 1" & 1-1/4" MKO, (2) - 1/2" & 3/4" MKO	(1) - 1/2" & 3/4" MKO, (1) - 3/4" & 1" MKO, (1) - 1/2"	10
SSB-A4	PREASSEMBLED SSB WITH UMA AND T5 Bracket adjusts from 15" to 25"	(4) - 1/2", (2) - MKO, (4) - Loom	(1) - 1/2"	12
UMA	UNIVERSAL MOUNTING ADAPTER FOR MOUNTING 4S AND 5S BOXES TO SSB, SSB-T5, USB, AND DIRECTLY TO STUD	-	-	25
UMA-LVBS	UNIVERSAL MOUNTING ADAPTER W/ BACK SUPPORT. FITS 4", 4-11/16" or 5" SQUARE BOXES	-	-	25

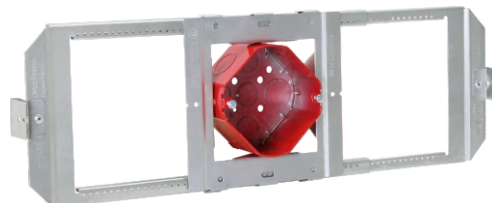


SPECIFICATION & FEATURES

DESCRIPTION:

Orbit's Preassembled SSB-TBAR with FA-UMAB-4R is a fast, efficient way to install lighting fixtures in drop ceilings where tile depths are unknown. The bracket adjusts from 15" to 25" to span the T-grid, and includes riveted clips that snap easily into grid channel. Bracket stays rigid to prevent downward pressure on ceiling tiles, even at full extension. FA-UMAB-4R's built-in adapter allows for vertical adjustment of the 4O box from 0" to 1-1/2", ensuring trims sit flush with tile surfaces. The box is 2-1/8" deep. Installer may utilize either factory-designated holes on the adapter or bracket for branch line restraints, such as seismic wire. FA-UMAB-4R is powder coated with a red finish.

PREASSEMBLED SSB-TBAR WITH FA-UMAB-4R



FA-TBAR-4R



FEATURES:

- Best way to mount lighting fixtures, sensors and devices compatible with 4O openings in drop ceilings
- Telescoping bracket adjusts from 15" to 25"
- 6-way adjustability
- Includes two (2) riveted T-bar clips with holes for Tek screw (helps comply with NEC 314.23 (D) (1))
- Built-in adapter allows box adjustment from flush to 1-1/2" via guided slots (ships with box set at 5/8" raise)
- Two (2) outside-facing screws lock box at desired depth
- Designated holes on either SSB-TBAR or FA-UMAB-4R are approved for branch line restraints
- Ships preassembled to reduce installation time
- Patented

SPECIFICATIONS:

Box Dimensions

- Diameter: 4"
- Depth: 2-1/8"
- Cu In: 21.5
- Material: 16 GA Sheet Steel
- Mfg. Process: Welded
- Color: Galvanized (SSB-TBAR)
Red (FA-UMAB-4R)
- KO Sides: (2) - 1/2", (2) - MKO
- KO Bottom: (3) - 1/2", (2) - 3/4"
- (Side K.O.s may not be accessible)

CONFIGURATION DATA:

Part No.	Description	Std.Pkg.
FA-TBAR-4R	PREASSEMBLED SSB-TBAR WITH FA-UMAB-4R	20



SPECIFICATION & FEATURES

SSB-MB SERIES

DESCRIPTION:

Orbit's SSB-MB Series is the fastest and most versatile method to mount 3-1/2" deep Masonry Boxes between stud cavities. The SSB-MB is a preassembled Simple Support Bracket with three to six gang deep Masonry Box installed. The box depth is set at 5/8", but easily adjustable to 1-1/2" via the outside adjustment screws. With 6-way adjustability, the SSB-MB series will ensure a flush finish every time.

CERTIFICATION:

UL Listed



SSB-MB3

FEATURES:

- Simple Support Bracket adjusts from 15" to 25"
- Maintains rigidity when fully extended, eliminating need for back support
- Ships preassembled with box depth set at 5/8", and adjustable up to 1-1/2"
- Guided-slots on each side allow the box depth to be easily adjusted by simply loosening the screws
- Built-In Adapter allows Masonry Box be moved along Simple Support Bracket until setting in final position with a tek screw
- All Knockouts are Concentric 1/2" & 3/4"



CONFIGURATION DATA:

Part No.	No. of Gangs	KO Ends	KO Bottom	KO Sides	Cu. Inch	Std. Pkg.
SSB-MB3	3	(6) - CKO	(3) - CKO	(4) - CKO	69.3	10
SSB-MB4	4	(8) - CKO	(4) - CKO	(4) - CKO	92.1	10
SSB-MB5	5	(10) - CKO	(5) - CKO	(4) - CKO	116.1	10
SSB-MB6	6	(12) - CKO	(6) - CKO	(4) - CKO	139	10



SSB-MB3 shown



SSB-MB3 Side View



SSB-MB3 Side View



SSB-MB3 Installed

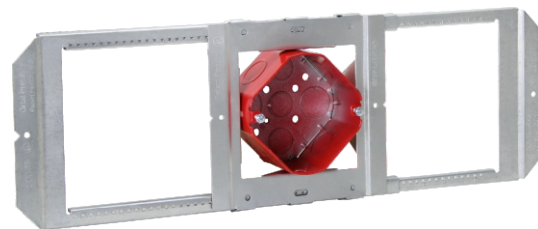


SPECIFICATION & FEATURES

PREASSEMBLED SSB-T5 WITH FA-UMAB-4R

DESCRIPTION:

Orbit's Preassembled SSB-T5 with FA-UMAB-4R is a ready-to-install solution for mounting life safety devices between wall studs or hard-lid ceiling joists. The SSB-T5 adjusts from 15" to 25" with the FA-UMAB-4R attached to bracket. FA-UMAB-4R's built-in adapter allows for box depth adjustment from 0" to 1-1/2", ensuring box opening is flush with finished drywall. This 4" Octagon box is 2-1/8" deep - ideal for lighting fixtures, smoke detectors and devices where drywall depths are unknown. FA-UMAB-4R is powder coated with a red finish. SSB-T5 maintains rigidity at full 25" extension, so there is no need for added back support.



FA-SSB-4R



FEATURES:

- Telescoping bracket adjusts from 15" to 25"
- Mount boxes between studs or overhead between hard lid ceiling joists
- Maintains rigidity when fully extended, eliminating need for back support
- 6-way adjustability
- Built-in adapter allows box adjustment from flush to 1-1/2" via guided slots (ships with box set at 5/8" raised)
- Two (2) outside-facing screws lock box at desired depth
- Ships preassembled to reduce installation time
- Patented

SPECIFICATIONS:

Box Dimensions

- Diameter: 4"
 - Depth: 2-1/8"
 - Volume: 21.5 Cu.In.
 - Material: 16 GA Sheet Steel
 - Mfg. Process: Welded
 - Color: Galvanized (SSB-T5); Red (FA-UMAB-4R)
 - KO Sides: (2) - 1/2", (2) - MKO
 - KO Bottom: (3) - 1/2", (2) - 3/4"
- (Side K.O.s may not be accessible)

CONFIGURATION DATA:

Part No.	Description	Std.Pkg.
FA-SSB-4R	PREASSEMBLED SSB-T5 WITH FA-UMAB-4R	20



SPECIFICATION & FEATURES

DESCRIPTION:

Orbit's Preassembled SSB-T5 with FA-UMIAB-35 is a ready-to-install solution for mounting life safety devices between wall studs or hard-lid ceiling joists. The SSB-T5 adjusts from 15" to 25" with the FA-UMIAB-35 attached to bracket. FA-UMIAB-35's built-in adapter allows for box depth adjustment from 1/2" to 1-1/2", ensuring box opening is flush with finished drywall. FA-UMIAB-35 internal adjustment screws allow for box adjustment after dry wall installation. This 4" sq. box is 3-1/2" deep - ideal for oversize horn strobes and other notification devices. FA-UMIAB-35 is powder coated with a red finish. SSB-T5 maintains rigidity at full 25" extension, so there is no need for added back support.

PREASSEMBLED SSB-T5 WITH FA-UMIAB-35



FA-SSB-UMIAB-35



FEATURES:

- Telescoping bracket adjusts from 15" to 25"
- Mount boxes between studs or overhead between hard lid ceiling joists
- Maintains rigidity when fully extended, eliminating need for back support
- 6-way adjustability
- Built-in adapter allows box adjustment from 1/2" to 1-1/2" via internal adjustment screws
- Internal adjustment screws allow the box to be adjusted before and after installation
- Engraved depth stamp on box allows for depth measurement without requiring additional measuring tools
- Ships preassembled to reduce installation time
- Ideal for Life Safety systems rough-in

SPECIFICATIONS:

Box Dimensions

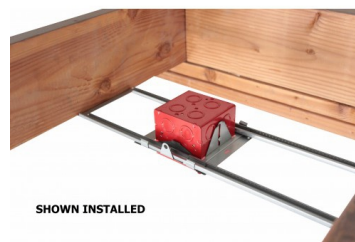
- Width: 4"
 - Height: 4"
 - Depth: 3 - 1/2"
 - Volume: 46.0 Cu.In.
 - Material: 16 GA Sheet Steel
 - Mfg. Process: Welded
 - Color: Galvanized (SSB-T5); Red (FA-UMIAB)
 - KO Sides: (12) - CKO
 - KO Bottom: (4) - CKO
- (Side K.O.s may not be accessible)

* For a 4" octagon (4O) box version, please see FA-SSB-4R

* For External Adj. Version, please see FA-SSB-UMAB

CONFIGURATION DATA:

Part No.	Description	Std.Pkg.
FA-SSB-UMIAB-35	PREASSEMBLED SSB-T5 WITH FA-UMIAB-35	10

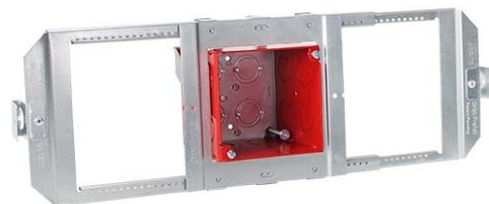


SPECIFICATION & FEATURES

DESCRIPTION:

Orbit's Preassembled SSB-TBAR with FA-UMIAB-35 is a ready-to-install solution for mounting life safety devices in drop ceilings where tile depths are unknown. The bracket adjusts from 15" to 25" to span the T-grid, and includes riveted clips that snap easily into grid channel. Bracket stays rigid to prevent downward pressure on ceiling tiles, even at full extension. FA-UMIAB-35's built-in adapter allows for box depth adjustment from 1/2" to 1-1/2", ensuring box opening is flush with finished drywall. FA-UMIAB-35 internal adjustment screws allow for box adjustment after dry wall installation. This 4" sq. box is 3-1/2" deep - ideal for oversize horn strobes and other notification devices. FA-UMIAB-35 is powder coated with a red finish. Installer may utilize either factory-designated holes on the adapter or bracket for branch line restraints, such as seismic wire.

PREASSEMBLED SSB-TBAR WITH FA-UMIAB-35



FA-TBAR-UMIAB-35



FEATURES:

- Telescoping bracket adjusts from 15" to 25"
- 6-way adjustability
- Includes two (2) riveted T-bar clips with holes for Tek screw (helps comply with NEC 314.23 (D) (1))
- Built-in adapter allows box adjustment from 1/2" to 1-1/2" via internal adjustment screws
- Internal adjustment screws allow the box to be adjusted before and after installation
- Engraved depth stamp on box allows for depth measurement without requiring additional measuring tools
- Ships preassembled to reduce installation time
- Ideal for Life Safety systems rough-in
- Designated holes on either SSB-TBAR or UMIAB-35 are approved for branch line restraints

SPECIFICATIONS:

Box Dimensions

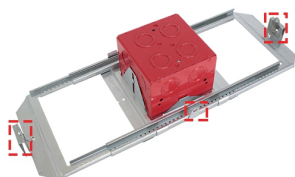
- Width: 4"
 - Height: 4"
 - Depth: 3 - 1/2"
 - Volume: 46.0 Cu.In.
 - Material: 16 GA Sheet Steel
 - Mfg. Process: Welded
 - Color: Galvanized (SSB-TBAR); Red (FA-UMIAB)
 - KO Sides: (12) - CKO
 - KO Bottom: (4) - CKO
- (Side K.O.s may not be accessible)

* For a 4" octagon (4O) box version, please see FA-TBAR-4R

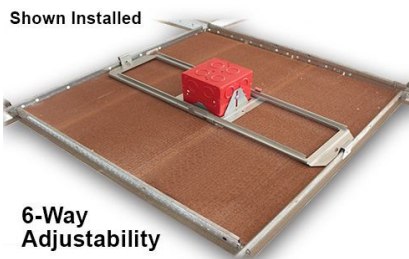
* For External Adj. Version, please see FA-TBAR-UMAB

CONFIGURATION DATA:

Part No.	Description	Std.Pkg.
FA-TBAR-UMIAB-35	PREASSEMBLED SSB-TBAR WITH FA-UMIAB-35	10



Designated Holes for
Branch Line Restraints
(Use as application requires)



Shown Installed
6-Way
Adjustability

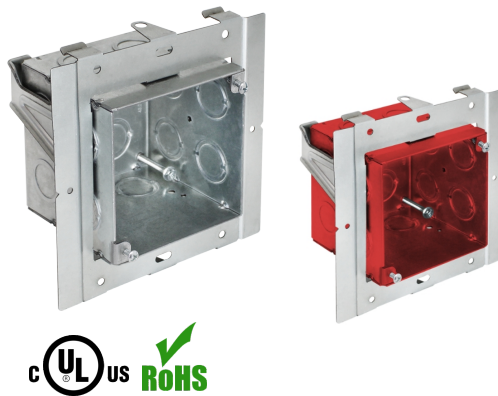


SPECIFICATION & FEATURES

UNIVERSAL MOUNTING INTERNAL ADJUSTMENT BOXES

DESCRIPTION:

Orbit's Universal Mounting Internal Adjustment Boxes (UMIAB Series) are 4" Sq. Boxes with a built-in adapter for mounting and adjusting the box to fit various Electrical or Fire Life Safety applications. Built-in adapter allows for adjustment of the UMIAB-35's from 1/2" to 1-1/2" and the UMIAB-25's from 1/2" to 1-1/4", ensuring devices sit flush with wall surfaces. UMIAB's mount direct to stud frames. Mount UMIAB's between studs or joists with Orbit's SSB-T5; or between drop ceiling grids with SSB-TBAR. Internal Adjustment allows for box adjustment both before or after dry wall installation. FA-UMIAB-35 & FA-UMIAB-25 are powder coated red for quick identification of FA devices.



CERTIFICATION:

UL file E227970, conforms to UL 514A

FEATURES:

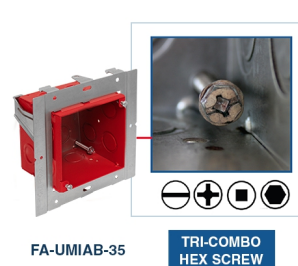
- The Best Way to mount Extra Deep 4" Square Boxes
- Internal adjustment screws allow the box to be adjusted before and after dry wall installation
- Built-In Internal Adjustment from 1/2" to 1-1/2" for the UMIAB-35's and 1/2" to 1-1/4" for UMIAB-25's
- UMIAB-25's ideal for use with 2-1/2" Deep Wall Studs
- Can be mounted directly to studs or snapped onto SSB-T5 for between stud or overhead/hard lid applications and SSB-TBAR for drop ceiling applications
- Available in a Red Finish as the FA-UMIAB-35 and FA-UMIAB-25 for Fire Alarm Installations
- Ideal for Life Safety systems rough-in
- Engraved depth stamp on box allows for depth measurement without requiring additional measuring tools
- Branch Line Restraint holes
- Material: 16 GA Sheet Steel
- Mfg. Process: Welded

CONFIGURATION DATA:

Cat. No.	Description	Box Depth	Cu. In.	Adj. Range	KO Sides	KO Bottom	Std. Pkg.
UMIAB-25	Internal Adj. 4" Sq. Box	2-1/2"	36.0	1/2" - 1-1/4"	(4) - 1/2", (4) - MKO	(4) - CKO	10
FA-UMIAB-25	Internal Adj. 4" Sq. Box, Red Powder Coat Finish						10
UMIAB-35	Internal Adj. 4" Sq. Box	3-1/2"	46.0	1/2" - 1-1/2"	(12) - CKO	(4) - CKO	10
FA-UMIAB-35	Internal Adj. 4" Sq. Box, Red Powder Coat Finish						10



Fold tabs to secure adapter on SSB Brackets



SPECIFICATION & FEATURES

UNIVERSAL MOUNTING ADJUSTABLE BOXES

DESCRIPTION:

Orbit's Universal Mounting Adjustable Box is a 4" Square, 3-1/2" Deep Box with a built-in adapter for mounting and adjusting the box to fit various applications.



CERTIFICATION:

Meet UL Standard 514A
Patented

FEATURES:

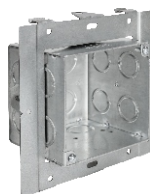
- The Best Way to mount Extra Deep 4" Square Boxes
- Built-In Adapter allows UMAB to be adjusted from Flush up to 1-1/2"
- Guided-slots on each side allow the box to be easily adjusted and secured by simply loosening the screws
- Can be mounted direct-to-stud or used with the SSB for between stud or ceiling installation
- Available in a Red Finish as the FA-UMAB for Fire Alarm Installations

SPECIFICATION:

Width: 4"
Height: 4"
Depth: 3-1/2"
Cu. In.: 46.0
KO Sides: (12) - CKO
KO Bottom: (4) - CKO
Material: 16 GA Sheet Steel

CONFIGURATION DATA:

Cat. No.	Description	Std.Pkg.
UMAB	4S Box 3-1/2" Deep, Adjustable Up to 1-1/2"	10
FA-UMAB	Fire Alarm 4S Box 3-1/2 Deep, Adjustable Up to 1-1/2"	10



UMAB



FA-UMAB



SPECIFICATION & FEATURES

UNIVERSAL MOUNTING ADJUSTABLE 4" OCTAGON BOX

DESCRIPTION:

Orbit's Universal Mounting Adjustable 4" Octagon Box (UMAB-4R) is a fast, efficient way to install lighting fixtures, smoke detectors and devices where drywall depths are unknown. Built-in adapter allows for adjustment of the 2-1/8" deep, 4O box from 0" to 1-1/2", ensuring devices and trims sit flush with wall surfaces. UMAB-4R's mount direct to stud frames. Mount UMAB-4R's between studs or joists with Orbit's SSB; or between drop ceiling grids with SSB-TBAR. UMAB-4R includes 10" grounding pigtail. FA-UMAB-4R is powder coated red for quick identification of FA devices.



UMAB-4R



FA-UMAB-4R



FEATURES:

- Best way to mount lighting fixtures, sensors, smoke detectors and devices compatible with 4O openings in walls and ceilings
- Built-in adapter allows box adjustment from flush to 1-1/2" via guided slots (ships with box set at 5/8" raise)
- Two (2) outside-facing screws lock box at desired depth
- UMAB-4R includes 10" Solid Cu. #12AWG Pigtail and 10-32 Ground Screw
- Designated holes on adapter are approved for branch line restraints
- FA-UMAB-4R is powder coated red for quick identification of FA devices
- Patented

APPLICATIONS:

- "Disc" or "wafer" style LED downlight modules
- Motion and occupancy sensors
- Smoke detectors
- Mount between wall studs or hard lid ceiling joists with SSB or SSB-T5
- Mount in drop ceiling grids with SSB-TBAR (UMAB-4R also available pre-assembled as SSBT-4R)

CONFIGURATION DATA:

Part No.	Description	Std.Pkg.
UMAB-4R	4" (4O), 2-1/8" DEEP WELDED OCTAGON BOX WITH BUILT-IN ADAPTER AND 10" PIGTAIL, ADJUSTABLE FROM FLUSH UP TO 1-1/2"	20
FA-UMAB-4R	RED 4" (4O), 2-1/8" DEEP WELDED OCTAGON BOX WITH BUILT-IN ADAPTER, ADJUSTABLE FROM FLUSH UP TO 1-1/2"	20

SPECIFICATIONS:

Box Dimensions

- Diameter: 4"
 - Depth: 2 - 1/8"
 - Volume: 21.5 Cu.In.
 - Material: 16 GA Sheet Steel
 - Mfg. Process: Welded
 - Color: Galvanized
 - KO Sides: (2) - 1/2", (2) - MKO
 - KO Bottom: (3) - 1/2", (2) - 3/4"
- (Side K.O.s may not be accessible)



SPECIFICATION & FEATURES

PREASSEMBLED SSB-TBAR WITH UMAB-4R

DESCRIPTION:

Orbit's Preassembled SSB-TBAR with UMAB-4R is a fast, efficient way to install lighting fixtures in drop ceilings where tile depths are unknown. The bracket adjusts from 15" to 25" to span the T-grid, and includes riveted clips that snap easily into grid channel. Bracket stays rigid to prevent downward pressure on ceiling tiles, even at full extension. UMAB-4R's built-in adapter allows for vertical adjustment of the 4O box from 0" to 1-1/2", ensuring trims sit flush with tile surfaces. The box is 2-1/8" deep, and includes 10" grounding pigtail. Installer may utilize either factory-designated holes on the adapter or bracket for branch line restraints, such as seismic wire.



SSBT-4R



FEATURES:

- Best way to mount lighting fixtures, sensors and devices compatible with 4O openings in drop ceilings
- Telescoping bracket adjusts from 15" to 25"
- 6-way adjustability
- Includes two (2) riveted T-bar clips with holes for Tek screw (helps comply with NEC 314.23 (D) (1))
- Built-in adapter allows box adjustment from flush to 1-1/2" via guided slots (ships with box set at 5/8" raise)
- Two (2) outside-facing screws lock box at desired depth
- Includes 10" Solid Cu. #12AWG Pigtail and 10-32 Ground Screw
- Designated holes on either SSB-TBAR or UMAB-4R are approved for branch line restraints
- Ships preassembled to reduce installation time
- Patented

SPECIFICATIONS:

Box Dimensions

- Diameter: 4"
 - Depth: 2 - 1/8"
 - Volume: 21.5 Cu.In.
 - Material: 16 GA Sheet Steel
 - Mfg. Process: Welded
 - Color: Galvanized
 - KO Sides: (2) - 1/2", (2) - MKO
 - KO Bottom: (3) - 1/2", (2) - 3/4"
- (Side K.O.s may not be accessible)

APPLICATIONS:

- "Disc" or "wafer" style LED downlight modules
- Motion and occupancy sensors
- Spans 2' side of drop ceiling grids

CONFIGURATION DATA:

Part No.	Description	Std.Pkg.
SSBT-4R	PREASSEMBLED SSB-TBAR WITH UMAB-4R	20



SPECIFICATION & FEATURES

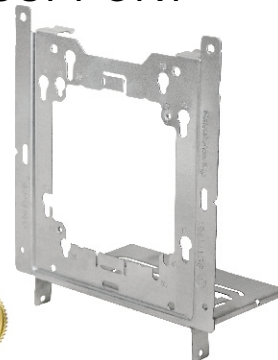
UNIVERSAL MOUNTING ADAPTER WITH BACK SUPPORT

DESCRIPTION:

Orbit Industries' Universal Mounting Adapter with Back Support (UMA-LVBS) supports 4", 4-11/16" or 5" square boxes on either side of a wall stud. Unique key-hole pattern allows box to be turned 90° and use 4" Rings with any size box! Top notch provides easy access to set screw fittings. Snaps onto SSB-T5 for between stud applications and SSB-TBAR for drop ceiling applications. Patented. UL Listed.

CERTIFICATION:

UL Listed

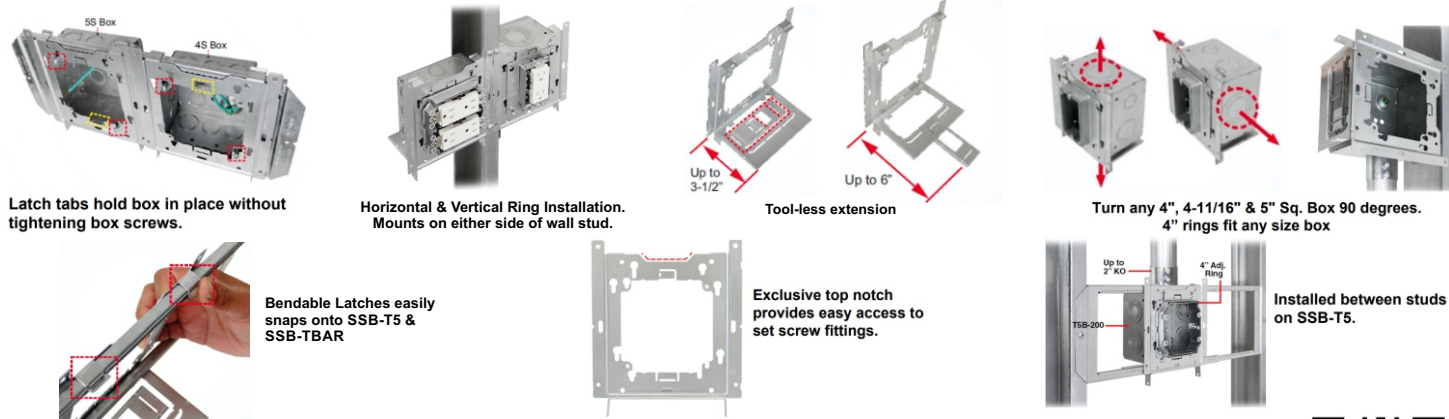


FEATURES:

- Stud mounts 4", 4-11/16" or 5" square boxes on either side of wall stud (wood or metal)
- Unique key-hole pattern allows box to be turned 90° and use 4" rings on any size box
- LV mounting holes allow for installation of a 4" rings on any size box
- When installed, key-hole pattern holds any size box in place when ring is removed
- Easily snaps onto SSB-T5 for stud-to-stud mounting or SSB-TBAR for mounting boxes in drop ceilings
- Top notch provides easy access to set screw fittings
- Can be mounted side-by-side on the same stud without drywall bulging
- Compatible with Orbit's UL Adjustable Rings
- Available preassembled with box and/or ring: LVBS Assemblies
- Optional BMCS Series provides built-in cable/conduit support
- Tool-less extension (that snaps off) for back support (2-1/2"- 6") integrated
- Fold tab to secure adapter on SSB Brackets
- Bendable latch tabs securely hold 4" or 4-11/16" sq. box in place without need to tighten box screws. Skip hassle of tightening box screws until the final ring installation
- Extended Mounting Tab enables secure mounting with 90° rotation. Box will be able to receive large conduit without removal of back support.
- Patented

CONFIGURATION DATA:

Part No.	Description	Std.Pkg.
UMA-LVBS	UNIVERSAL MOUNTING ADAPTER W/ BACK SUPPORT. FITS 4", 4-11/16" or 5" SQUARE BOXES	25
*US-UMA-LVBS	UNIVERSAL MOUNTING ADAPTER W/ BACK SUPPORT. FITS 4", 4-11/16" or 5" SQUARE BOXES, MADE IN US	25



SPECIFICATION & FEATURES

DESCRIPTION:

Orbit's Preassembled UMA-LVBS with Square Box and Device Ring is a ready-to-install solution for common switch and receptacle rough-ins. LVBS Series can be deployed on the job site with little to no assembly required, saving nearly a minute per box. LVBS assemblies mount direct to open or closed sides of a wall stud, with integrated back support for 2-1/2" and 3-1/2" stud depths (extend to 6" with FS-456-EXT). Mount assembly between wall studs or ceiling joists with SSB-T5. 2-1/8" Deep Square Box includes 10" grounding pigtail. Select models available with 1-gang and 2-gang device rings, and/or BMCS-CJ6 cable support.

FEATURES:

- Mounts direct-to-stud, or snaps onto the SSB-T5 for stud-to-stud mounting
- Centerline cutouts and mounting holes on UMA-LVBS's flanges allow for a quick installation onto wood or metal studs
- Top notch provides easy access to set screw fittings
- Includes far-side back support
- Box includes 10-32 Ground Screw and 10" Solid Cu. #12AWG Pigtail
- LVBS-A4 Series features MC clamp screws set at 15° angle, includes BMCS-CJ6 cable support

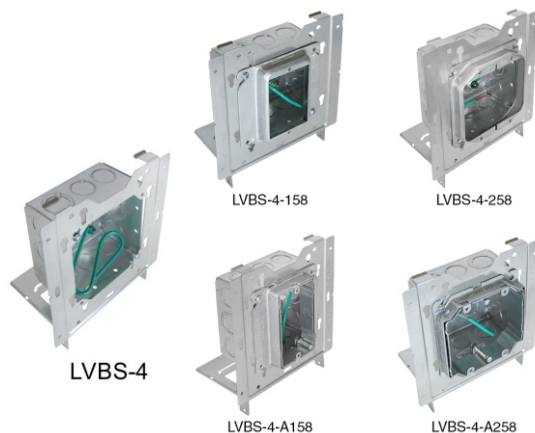
CONFIGURATION DATA:

Part No.	Description	No. of Gangs	Ring Depth	Std. Pkg.
LVBS-4	UMA-LVBS + 4SDB-MKO-PT-10	-	-	25
LVBS-4-158	UMA-LVBS + 4SDB-MKO-PT-10 + 41058	1	5/8"	25
LVBS-4-175	UMA-LVBS + 4SDB-MKO-PT-10 + 41075	1	3/4"	25
LVBS-4-258	UMA-LVBS + 4SDB-MKO-PT-10 + 42058	2	5/8"	25
LVBS-4-275	UMA-LVBS + 4SDB-MKO-PT-10 + 42075	2	3/4"	25
LVBS-4-A158	UMA-LVBS + 4SDB-MKO-PT-10 + 4AR1G-58	1	5/8" - 1-1/4"	25
LVBS-4-A134	UMA-LVBS + 4SDB-MKO-PT-10 + 4AR1G-34	1	3/4"	25
LVBS-4-A258	UMA-LVBS + 4SDB-MKO-PT-10 + 4AR2G-58	2	5/8" - 1-1/2"	25
LVBS-A4-CS6	UMA-LVBS + 4SDB-AMC-PT + BMCS-CJ6	-	-	25
LVBS-A4-A158-CS6	UMA-LVBS + 4SDB-AMC-PT + 4AR1G-58 + BMCS-CJ6	1	5/8" - 1-1/2"	25

Custom Assemblies:

For box and adapter assembly combinations not listed above, please contact info@orbitprofab.com. Please state the specific ring type, box size and depth, and any other pertinent notes (such as the addition of ground pigtails or firestop).

LVBS ASSEMBLIES



SPECIFICATIONS:

Box Dimensions

- Width: 4"
- Height: 4"
- Material: Sheet Steel
- Standard Boxes:
 - KO Sides: (8) - 1/2", (4) - MKO
 - KO Bottom: (2) - 1/2", (2) - MKO
- MC Cable Boxes:
 - KO Sides: (4) - 1/2", (2) - MKO, (4) - Loom
 - KO Bottom: (1) - 1/2"
- Depth: 2 - 1/8"
- Volume: 30.3 Cu.In.
- Color: Galvanized



LVBS-4-158 shown installed on SSB-T5



LVBS-4-158 shown installed


 Up to 6" BS w/
FS-456-EXT


LVBS-A4-CS6

LVBS-A4-A158-CS6

 EC&M
Product of the Year
2022 Category Winner

www.orbitelectric.com

Application and Performance Specification Information is Subject to Change Without Notification

LOS ANGELES, CA 1-800-90-ORBIT



SPECIFICATION & FEATURES

LOW VOLTAGE STUD MOUNTING BRACKETS

DESCRIPTION:

Orbit Industries' Low Voltage Stud Mounting Brackets eliminate the need for an electrical box for low voltage applications. Available in a 1 and 2-Gang model, the LVSBs rigidly attach to any wood or metal stud as well as Orbit's Simple Support Bracket and Ultimate Support Bracket for between stud installations.

CERTIFICATION:

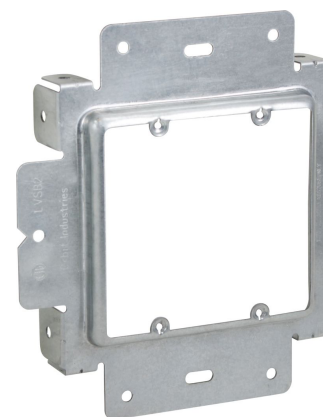
ETL / RoHS

FEATURES:

- 1/2" raise ensures a flush finish, minimizing drywall lumps
- Attaches to wooden or metal studs with the use of self-tapping screws or nails
- Can install onto the front or side of wooden or metal studs
- Mounts vertically or horizontally
- Compatible with Orbit's Simple Support Bracket (SSB) and Ultimate Support Bracket (USB) for between stud installations



LVSB1



LVSB2



CONFIGURATION DATA:

Part No.	Material	Description	Std.Pkg.
LVSB1	Sheet Steel	1-Gang Low Voltage Stud Mounting Bracket	50
LVSB2	Sheet Steel	2-Gang Low Voltage Stud Mounting Bracket	25



SPECIFICATION & FEATURES

TELESCOPING SUPPORT BRACKET

DESCRIPTION:

Orbit's Telescoping Support Bracket (TSB) is an adjustable stud-to-stud mounting bracket for mounting boxes between wood or metal studs. It has an adjustable range of 16" to 27", fitting most stud spacing at any height. The TSB is rigid and ships preassembled, increasing efficiency on the job site.



CERTIFICATION:

UL file E310661, conforms to UL514A

FEATURES:

- Telescoping bracket adjusts from 16" to 27"
- Accepts 4" (4S), 4-11/16" (5S), and Multi-gang junction boxes
- Easily adjust position of boxes in field
- Packaged preassembled and ready to use
- Markings on bracket allow for quick and consistent adjustability



CONFIGURATION DATA:

Part No.	Description	Std.Pkg.
TSB	Telescoping Support Bracket adjusts from 16" to 27" for mounting 4S and 5S boxes horizontally between studs	25



SPECIFICATION & FEATURES

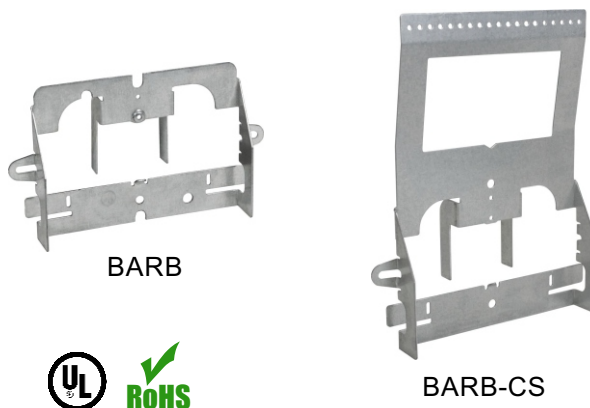
DROP-ON-BAR SLIDER BRACKETS

DESCRIPTION:

Orbit's Drop-On-Bar Slider Brackets, the BARB and BARB-CS, allow 4" and 4-11/16" boxes to be quickly dropped onto Orbit's Adjustable Bar Hangers, BHA-16 & BHA-24, even after the Hangers are installed. Boxes can then be fully adjusted along the Bar Hanger before securing.

CERTIFICATION:

UL Listed
Patented



FEATURES:

- Quickly attaches to any 4" or 4-11/16" Square Box with just one tek screw.
- Easily drops onto BHA-16 & BHA-24 Adjustable Bar Hangers, which accomodates 1-1/2", 2-1/8" and 2-1/2" deep boxes, and can be installed between ceiling joists or wall studs.
- Once on a BHA, the BARB and box assembly can be repositioned along the hanger
- A full box assembly can be prefabricated onto the Bar Hanger by bending the locking tabs.
- Multiple box assemblies can be easily added before and after the Bar Hanger is installed.
- Allows for the installation of up to 2 boxes between 16" studs and 4 between 24" studs
- BARB-CS comes complete with conduit & cable support pin holes
- Patented

CONFIGURATION DATA:

Cat. No.	Description	Std.Pkg.
BARB	Drop-On-Bar Slider Bracket	50
BARB-CS	Drop-On-Bar Slider Bracket With Conduit & Cable Support Pin Holes	50
BHA-16	11" to 18" Adjustable box bracket-Mount Box with self-tapping screws on notches between ceiling joists or wall studs. Ends bend and wrap around stud-Can be used with boxes 1-1/2", 2-1/8" or 2-1/2" Deep	50
BHA-24	15-3/4" to 26" Adjustable box bracket-Mount Box with self-tapping screws on notches between ceiling joists or wall studs. Ends bend and wrap around stud-Can be used with boxes 1-1/2", 2-1/8" or 2-1/2" Deep	50



SPECIFICATION & FEATURES

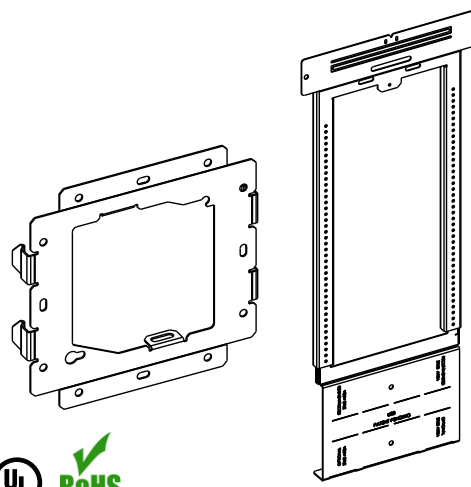
FLOOR/WALL SUPPORT BRACKET

DESCRIPTION:

Orbit Industries' Floor/Wall Support Brackets can be mounted on wood or metal studs in floors or walls and are used to support conduit boxes. They are constructed from 16 gauge galvanized steel. They provide flexibility with infinite height and width combinations. An Ultimate Support Bracket (USB) can be accompanied by an US4SB mounting bracket to attach on a steel box.

CERTIFICATION:

UL file E227970, conforms to UL514A.

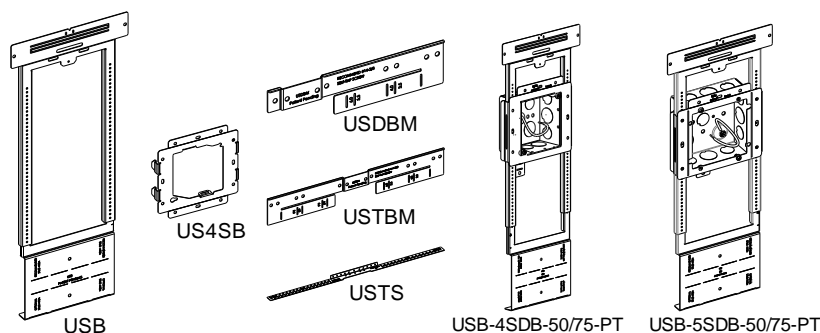


FEATURES

- Can be floor or wall mounted on wooden or metal studs
- Infinite height and width combinations
- Provides flexibility at the job site
- US4SB can be used to attach steel box to USB

CONFIGURATION DATA

Catalog No.	Description	Std. Pkg.
USB	Ultimate Support Bracket, Adj. 8"-24" as a floor bracket or 14"-24" as wall bracket	12
US4SB	Mounting Bracket for 4"(4S)Box, snaps to USB	24
USDBM	For Use with USB to create a double box in floor mount assembly with built-in back support	50
USTBM	For Use with USB to create a triple box in floor mount assembly with built-in back support	50
USTS	USB floor mount stud to stud top support	50
USB-4SDB-50/75-PT	Complete Pre-Assembled Floor Bracket with a 4"(4S)2-1/8" Deep Box mounted, Includes installed Far-Side Back Support and Ground Pigtail	12
USB-5SDB-50/75-PT	Complete Pre-Assembled Floor Bracket with a 4-11/16"(5S)2-1/8" Deep Box mounted, Includes installed Far-Side Back Support and Ground Pigtail	12



SPECIFICATION & FEATURES

FLAT BRACKET FAMILY MULTI-BOXES

DESCRIPTION:

Orbit's exclusive Flat Bracket Family features a host of brackets for between stud or kick applications. With the industry's only kick bracket that fits a 5" square box, Orbit's new family is also the most versatile!

CERTIFICATION:

UL file E310661, conforms to UL514A

FEATURES:

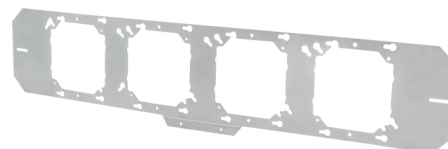
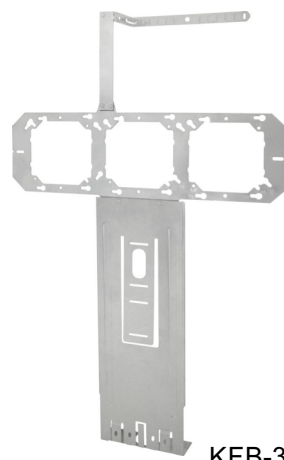
- Compatible with 4", 4-11/16" and 5" square boxes
- Mounting holes allow 4" rings to mount on all size boxes or on their own for low voltage applications

KFB-318, KFB-418:

- Measures at a standard height of 18"
- Up to 6" Back Support for additional stability
- Bottom tabs allow for mounting inside of studs
- Bendable bottom center mark indicates bracket placement after drywall installation
- Pre-installed CS-CJ6 for cable support (KFB-318)

FB-3, FB-4:

- Additional width and slotted mounting holes give extra flexibility on studs before securing



FB-4

CONFIGURATION DATA:

Part No.	Description	Std.Pkg.	Faspower Xref.
FB-3	Flat Box Mounting Bracket, 3 Box Positions for 16" stud	25	W3
FB-4	Flat Box Mounting Bracket 4 Box Positions for 24" stud	25	W4
KFB-318	Flat Bracket 3 Box Positions with 18" height Kick Stand for 16" stud	10	F318
KFB-418	Flat Bracket 4 Box Positions with 18" height Kick Stand for 24" stud	10	F418



FB-3



FB-4



KFB-318



KFB-418



SPECIFICATION & FEATURES

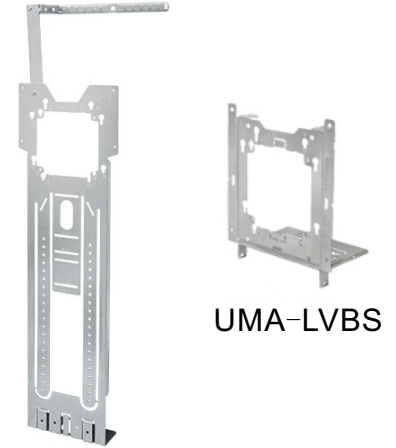
DESCRIPTION:

Discover the 18" Kick Bracket (KB-18) from Orbit Industries, a game-changer in electrical box mounting. Tailored for 4", 4-11/16", and 5" sq. boxes, the floor bracket is perfect for installing a box set at 18" box center. Keyhole design allows 90-degree box rotation. The KB-18 includes up to 6" built-in back support for additional stability. Optional stud supports can be folded out when installed between studs. The integrated CS-CJ6 provides cable support, complemented by a notch for easy set screw access. Add extra 4", 4-11/16", and 5" sq. boxes by attaching an UMA-LVBS onto either side of the KB-18. UL Listed.

CERTIFICATION:

UL file E310661, conforms to UL514A

FLAT BRACKET FAMILY ONE BOX



KB-18

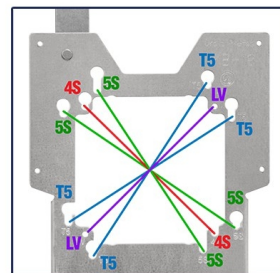
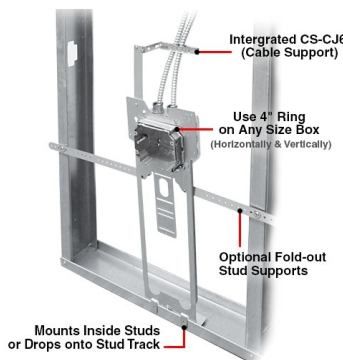
UMA-LVBS

FEATURES (Model Revised in January 2024):

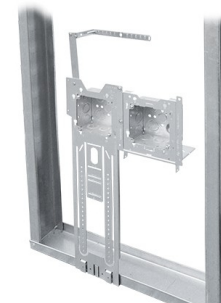
- Compatible with 4", 4-11/16" and 5" square boxes
- Measures at a standard height of 18" box center
- Unique key-hole pattern allows box to be turned 90°
- Use 4" rings on any size box (horizontally and vertically)
- Key-hole pattern holds any size box in place when ring is removed
- 4" rings can be mounted on their own for low voltage applications using 8/32 screws
- Bendable bottom center mark indicates bracket placement after drywall installation
- Up to 6" Back Support for additional stability
- Optional Stud Supports can be folded out when installed between studs
- Bottom tabs allow for brackets to be installed under or dropped onto the stud track
- Pre-installed CS-CJ6 for cable support
- Attach an extra 4", 4-11/16", or 5" sq. box (with UMA-LVBS)
- Low profile design accepts up to 2" fittings
- Top notch provides easy access to set screw fittings

CONFIGURATION DATA:

Part No.	Description	Std.Pkg.
KB-18	Kick Bracket 1 Box Position, 18" height with CS-CJ6	10
UMA-LVBS	Universal Mounting Adapter with Back Support (up to 6"), allows for 4", 4-11/16" & 5" Sq. boxes to mount to KB-18 and directly to stud	25



Compatible with 4", 4-11/16" and 5" Sq. Boxes (Box can be turned 90°)



Attach an extra 4", 4-11/16", or 5" sq. box (with UMA-LVBS)



SPECIFICATION & FEATURES

DESCRIPTION:

Orbit Industries' Fixed Position Box Mounting Brackets (FMB Series) support 4", 4-11/16" & 5" Sq. Boxes between wood or metal studs. The FMB-16 mounts 3 boxes in a 16" stud bay; the FMB-24 mounts 4 boxes in a 24" stud bay. Save costs by standardizing on 4" Mud Rings for all box sizes. 4" mud rings can also be mounted on their own for low voltage applications. The FMB Series speeds up installation as boxes are evenly spaced apart to eliminate any measuring and improves the quality of final installation with consistent box placement.

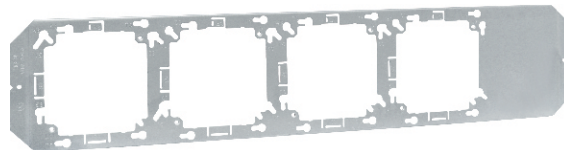
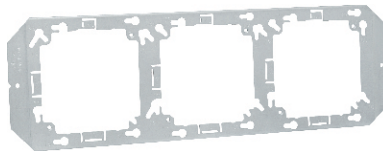
CERTIFICATION:

UL file E310661

FEATURES:

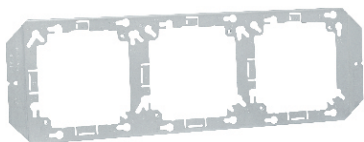
- Compatible with 4", 4-11/16" and 5" square boxes
- Mount 3 boxes and/or rings with FMB-16 and up to 4 boxes/rings with FMB-24
- Unique key-hole pattern allows box to be turned 90° and holds any size box in place when ring is removed
- Use 4" rings on any size box (horizontally and vertically)
- 4" rings can be mounted on their own for low voltage applications using 8/32 screws
- Low profile design limits drywall bulging
- Bendable latch tabs securely hold 4" or 4-11/16" sq. box in place without need to tighten box screws.

FIXED POSITION BOX MOUNTING BRACKETS

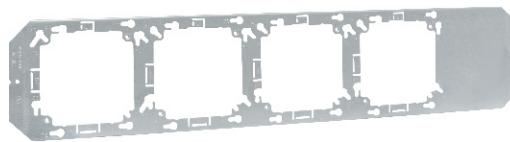


CONFIGURATION DATA:

Part No.	Description	Std.Pkg.
FMB-16	Fixed Position Box Mounting Bracket for 3-Boxes on 16" studs	25
FMB-24	Fixed Position Box Mounting Bracket for 4-Boxes on 24" studs	25



FMB-16



FMB-24

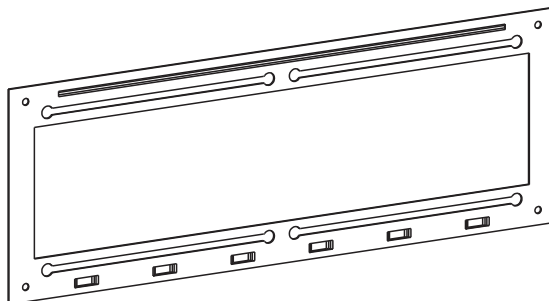


SPECIFICATION & FEATURES

MULTIPLE-BOX BAR HANGER FLAT

DESCRIPTION:

Orbit Industries' Multiple-Box Bar Hangers are used to accommodate 4" and 4-11/16" electrical boxes. It allows electric boxes to easily be adjusted horizontally along the bracket and reduces assembly time on job site.



CERTIFICATION:

UL file E310661, conforms to UL514A.



FEATURES

General:

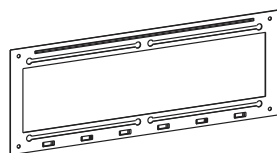
- Pre-galvanized 0.043" thick sheet metal
- Individual brackets accommodate 4S and 5S steel boxes
- Allows steel boxes to adjust easily horizontally along the bracket
- Reduces assembly time on job site

DIMENSIONS

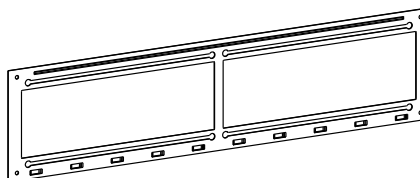
See details below

CONFIGURATION DATA

Catalog No.	Application	Dimensions (W X L)	Box		Std. Pkg.
			Sides	Bottom	
MBBH-16	For 16" Stud spacing	6" x 16"	4" & 4-11/16"	1-1/2" & 2-1/8"	50
MBBH-24	For 24" Stud spacing	6" x 24"	4" & 4-11/16"	1-1/2" & 2-1/8"	50



MBBH-16



MBBH-24

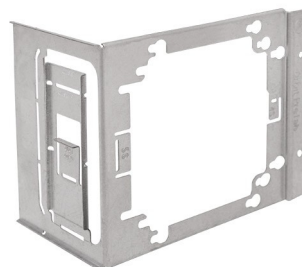


SPECIFICATION & FEATURES

BOX MOUNTING ADAPTERS 6" VERSION

DESCRIPTION:

Orbit Industries' Box Mounting Adapter mounts 4" or 4-11/16" square boxes directly-to-studs. Unique key-hole pattern allows box to be turned 90°. The bracket features Far Side Support for up to 6" deep studs, eliminating most of the box movement. Box latches hold boxes in place without needing to tighten box screws. Compatible with Standard & Adjustable Rings vertically or horizontally.



CERTIFICATION:

UL file E310661



FEATURES:

- Mounts 4" & 4-11/16" square boxes directly-to-stud (wood or metal)
- Can be mounted side-by-side on the same stud without drywall bulging
- Unique key-hole pattern allows boxes to be turned 90°
- Adjustable Back Support helps maintain rigidity once installed
- Integrated tool-less extension for use with up to 6" deep studs
- Bendable box latch tabs securely hold 4" or 4-11/16" sq. box in place without need to tighten box screws. Skip the hassle of tightening box screws until the final ring installation, making installation process more efficient and convenient.
- Compatible with Standard and Adjustable Rings. Install all *AR1G & *AR2G rings vertically or horizontally.
- Bent tabs provide additional rigidity

SPECIFICATION:

Material: Sheet Steel
Color: Galvanized
Mfg. Process: Stamped

CONFIGURATION DATA:

Part No.	Description	Std.Pkg.
BMA-26	Box Mounting Adapter with Far Side Support For up to 6" Wall Studs	25

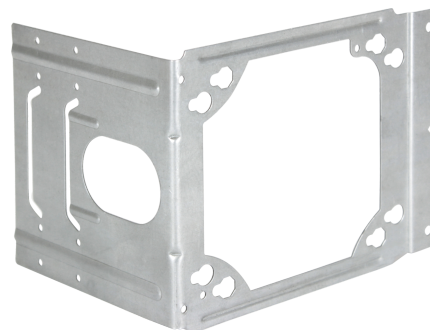


SPECIFICATION & FEATURES

BOX MOUNTING ADAPTERS

DESCRIPTION:

Orbit Industries' Box Mounting Adapter mounts 4" or 4-11/16" square boxes directly-to-studs. The bracket features Far Side Support for up to 4" deep studs, eliminating most of the box movement. Mounting holes allow for the use of a 4" ring, removing the need for an electrical box on low voltage applications.



CERTIFICATION:

UL file E310661



FEATURES:

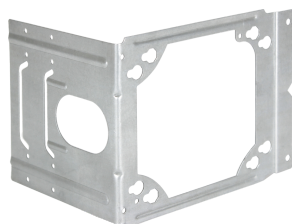
- BMA-4 mounts 4" & 4-11/16" Sq. boxes directly-to-stud
- BMA-4's mounting holes allow for the installation of a 4" ring for low voltage applications with #8-32 screws
- BMA-4's adjustable Back Support helps maintain rigidity once installed
- BMA-4's low profile design limits drywall bulging
- For use with metal or wood studs
- For tool-less far-side support up to 6", see BMA-26

SPECIFICATION:

Material: Sheet Steel
 Color: Galvanized
 Mfg. Process: Stamped

CONFIGURATION DATA:

Part No.	Description	Std.Pkg.
BMA-4	Box Mounting Adapter with Far Side Support up to 4"	25
FS-456-EXT	Far Side Support Extension For 4", 5-1/2", 6"	50



BMA-4



FS-456-EXT



SPECIFICATION & FEATURES

Far Side Support Extension

DESCRIPTION:

Orbit Industries' Far Side Support Extension provides additional back support for Orbit box mounting adapters. Clip the FS-456-EXT into the adapter to extend back support range to 4", 5-1/2", or 6" stud depths. The Extension can be pre-installed to the adapter, or installed in the field without tools.

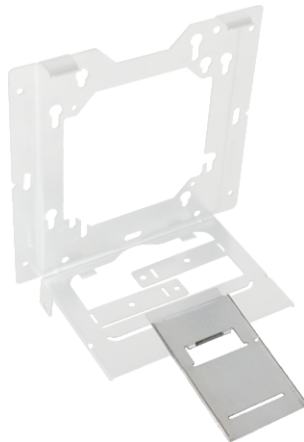


FEATURES:

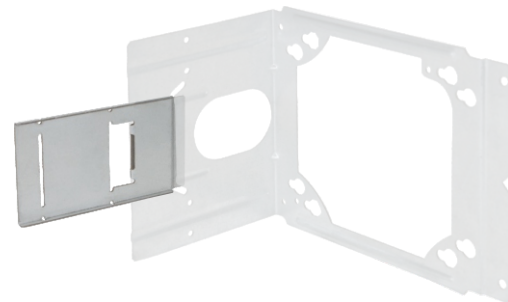
- Support 4", 5-1/2", 6" Depth Wood or Metal Stud
- Attach to Brackets without tools
- Accommodates any box size or depth
- Can be pre-installed on adapter / bracket
- Compatible with UMA-LVBS, BMA-23, BMA-4 mounting adapter / brackets

CONFIGURATION DATA:

Cat. No.	Description	Std.Pkg.
FS-456-EXT	Far Side Support Extension for 4", 5-1/2", 6" Stud	50



Installation on UMA-LVBS



Installation on BMA-23

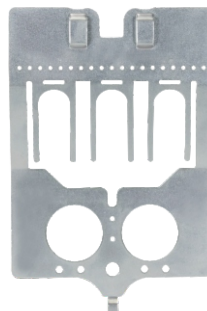


SPECIFICATION & FEATURES

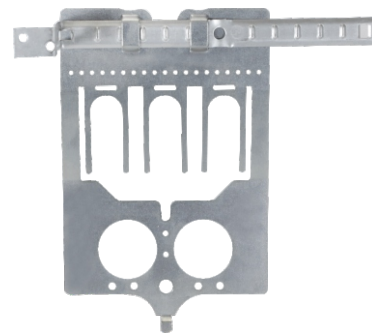
Box Mounted Conduit / Cable Supports

DESCRIPTION:

Orbit Industries' Box Mounted Conduit / Cable Supports, BMCS and BMCS-CJ6, secure raceway within 6" of the attached box, satisfying NEC 330.30 (B) without the need for extra bar hangers. BMCS series fits 4", 4-11/16" and even 5" outlet boxes of any depth. Unlike many cable managers, the BMCS series attaches directly to a junction box with a single Tek screw. This allows the BMCS series to travel with the box when moved. Open knockouts allow for terminations through the bottom of the attached box. BMCS series features multiple cable management options, including three built-in cable support forks; horizontal pinholes for fastening tie wire or one-hole straps; and top slots for attaching Orbit CS-CJ6 snap-close cable supports (BMCS-CJ6 comes with pre-assembled CS-CJ6).



BMCS



BMCS-CJ6

FEATURES:

- Quickly attaches to any 4", 4-11/16" or 5" Square Box
- Easy installation behind box
- Eliminates the need for an additional bar hanger for cable support
- Built-in support forks
- Horizontal pinholes for straps, tie wire or fasteners
- BMCS-CJ6 is pre-assembled with CS-CJ6 for supporting up to 4 MC / 6 NM cables

CONFIGURATION DATA:

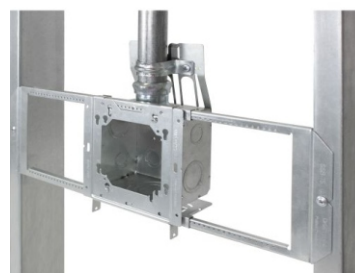
Cat. No.	Description	Std.Pkg.
BMCS	Box Mount Conduit/Cable Support	50
BMCS-CJ6	Box Mount Conduit/Cable Support with Stud Mounting Cable Support	50



BMCS INSTALLATION



BMCS-CJ6 INSTALLED ON SSB



BMCS & UMA-LVBS

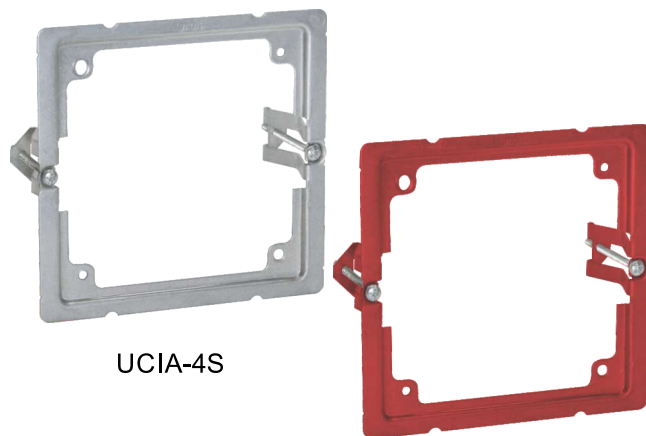


SPECIFICATION & FEATURES

4" Square Box Cut-In Adapter

DESCRIPTION:

Orbit Industries' Universal Cut-In Adapters, UCIA-4S and FA-UCIA-4S, enable any 4" square junction box to be used in old work applications. Installers can quickly mount 4" sq. boxes of any depth into existing walls. Includes two (2) old work clips that firmly secure boxes to finished drywall or plaster, without risk of pull-out. Small footprint is easily covered by large appliances and devices. FA-UCIA-4S is powder coated red for quick identification of FA devices.



UCIA-4S

FA-UCIA-4S

FEATURES:

- Old work steel clips secure 4" square boxes of any depth into existing walls
- Accommodates 4" square steel junction boxes of any depth
- Two (2) integrated old work steel clips with screws for 3/8" to 1-1/2" drywall or other wall materials
- Small footprint easily concealed by life safety devices greater than 4-13/32" W x 4-3/4" H
- See **Wall Mounting Template** in next page, it can be printed for easy tracing and cut-out
- Zinc Plated Steel

CONFIGURATION DATA:

Suggested Box Pairing:

- 4SDB-MKO: 4" Sq., 2-1/8" Deep Box with 1/2" & 3/4" MKO's
- FA-4SDB-MKO: Red 4" Sq., 2-1/8" Deep Box with 1/2" & 3/4" MKO's
- FA-4SDB-75: Red 4" Sq., 2-1/8" Deep Box with 3/4" KO's
- 4SEDB-CKO: 4" Sq., 3-1/2" Deep Box with 1/2" & 3/4" CKO's
- FA-4SEDB-CKO: Red 4" Sq., 3-1/2" Deep Box with 1/2" & 3/4" CKO's

Cat. No.	Description	Std.Pkg.
UCIA-4S	Cut-In Adapter for 4S Box	20
FA-UCIA-4S	Red Cut-In Adapter for 4S Box	20



UCIA-4S Installed



FA-UCIA-4S Installed



SPECIFICATION & FEATURES

HEIGHT ADJUSTABLE BOX INSTALLATION TEMPLATE

DESCRIPTION:

Orbit's Height Adjustable Box Installation Template (HABIT) is the first-of-its-kind! This unique tool, using its adjustable and magnetic platform, allows for the seamless mounting of many different bracket assemblies at a uniform height.

CERTIFICATION:

Patented

FEATURES:

- Adjustable, magnetic platform allows for the seamless mounting of different bracket assemblies at a uniform height
- Platform is adjustable up to a box center height of ~21"
- Hand nuts lock and unlock the adjustable platform
- Magnets hold the brackets steady on the platform during the entire installation process
- Bubble level ensures an even installation
- A pair of HABITs can be stacked via a screw on the top plate and through holes in the base
- When stacked, the top platform adjusts up to a box center height of ~49"
- Compatible with all Orbit stud brackets



Front

Back

CONFIGURATION DATA:

Part No.	Description	Std.Pkg.	Master Ctn
HABIT	Adjustable Height Box Installation Template	1	4



SPECIFICATION & FEATURES

PEDESTAL POST 30" & 60"

DESCRIPTION:

Orbit's patent pending Pedestal Posts are NEMA 3R Listed raceways for switches and devices that serve power to nearly 99% of all common rooftop equipment. PP Series is a stand-alone support that requires just one roof penetration, without the need for extra bracing. Available in 30" and 60" heights, PP Series' two-piece design reduces the amount of labor and material required to "stick-build" similar solutions in the field. Steel Stand protects conductors and devices from impact far better than tubular raceway. Grounding provisions are included, and model no. PP-60-S features Terminal Lugs that allow for easy bonding of safety switches per NEC.

Pedestal Posts allow conduit to be routed below the roof-line, which further reduces the number of roof penetrations needed. Minimal penetrations help to maintain rooftop integrity, and improve the overall roof aesthetic. This solution frees installers from moving heavy loads of material to the roof. Pedestal Posts can be installed discretely while other trades are working in the same area. Since most raceway is out of the sunlight, de-rating of conductors per NEC 310.15 is greatly reduced.

FEATURES:

- NEMA 3R Listed raceway designed to mount devices that serve power to rooftop equipment
- UL Listed for Wet locations
- Stand-alone unit requires only one roof penetration and no additional bracing
- Route conduit paths below the roof line
- Base and Stand sold separately
- Ideal for off-site prefabrication
- Extension Coupling adds 12" of height to Stands (sold separately)
- Patent Pending

SPECIFICATIONS:

General:

- Stand Material: 13 GA Steel
- Base Material: 3 GA Steel
- Zinc Plating + Powder Coated
- Color: Grey
- Mfg. Process: Welded

PP-30-S:

- Two (2) 1-gang device openings with gasketed Blank Covers (1-BC)
- Includes 10-32 Ground Screw with 10" Solid Cu. #12AWG Pigtail (top opening)

PP-60-S:

- Three (3) 1-gang device openings with gasketed Blank Covers (1-BC)
- Two (2) #1/0-14AWG Double Terminal Lugs (center opening) with four (4) available terminals

Base:

- PP-30-B opening 3/4"
- PP-60-B opening 1-1/2"
- Includes Installation Instructions and four (4) 1/4"-20 Bolts for assembling the Stand
- Features four (4) hole provisions for 3/8" anchor bolts or stud anchors (not included, by other)



SPECIFICATION & FEATURES

APPLICATIONS:

- New construction or retrofit
- Designed for every type of non-slanted commercial rooftop (membrane, metal, built-up, etc.)
- 60" Post is ideal for fused and non-fused safety switches that serve rooftop equipment (HVAC units, air handlers, VFDs, etc.)
- 30" Post is ideal for toggle switches, or providing service outlets within 25-ft of equipment per NEC 210.63
- Serving indoor industrial equipment (conveyor belts, machinery, motors, etc.)
- Outlet posts for outdoor planters, gardens, and atriums
- Access keypad stands for automatic entry gates

CONFIGURATION DATA:

Part No.	Description	Trade Size	Dimensions (W x D)	Std. Pkg.
PP-30-B	Pedestal Post 30" Base	3/4"	10" x 10"	4
PP-30-S	Pedestal Post 30" Stand	-	3" x 3"	4
PP-60-B	Pedestal Post 60" Base	1-1/2"	10" x 10"	2
PP-60-S	Pedestal Post 60" Stand	-	3" x 3"	2
PPEC-12	PP-30 & PP-60 EXT. Coupling 12"	-	12" x 3" x 3"	4

ROOF SEALANT DISCLAIMER: End users are advised to work with roofing contractor to ensure Pedestal Posts installed on rooftops are properly sealed in accordance with all applicable code enforcement agencies; authorities having jurisdiction (AHJ); city, county and state building codes; project specifications. et. al.



SPECIFICATION & FEATURES

ROOF COUPLING PLATE

DESCRIPTION:

Orbit's Roof Coupling Plates (RCP) provide a fast, efficient solution for the installation of conduit raceways through the roof of a building.



CERTIFICATION:

cETLus / RoHS

Patent Pending



RCP-75

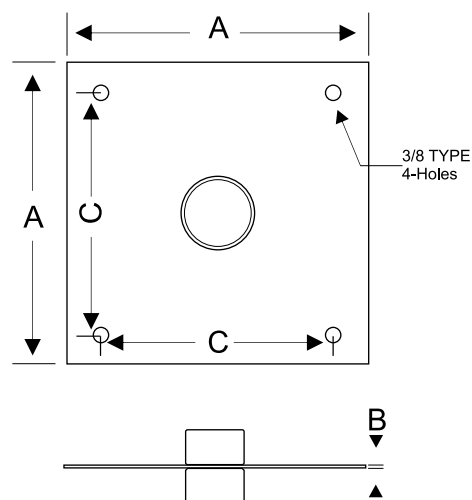
FEATURES:

Material: Galvanized Steel

General:

- Allows for easy transition of different conduit types
- Suitable in any type of roof construction for new and old work applications
- Eliminates derating of conductors due to heat by allowing conduit to run below the roof line
- Allows different conduit stub types to be prefabbed to the plate, reducing material handling and installation time
- Eliminates need for additional material and time spent providing bracing at roof
- Helps maintain roof integrity by eliminating additional support brace penetrations
- Can be used for through floor conduit penetrations inside buildings

LINE DRAWINGS:



CONFIGURATION DATA:

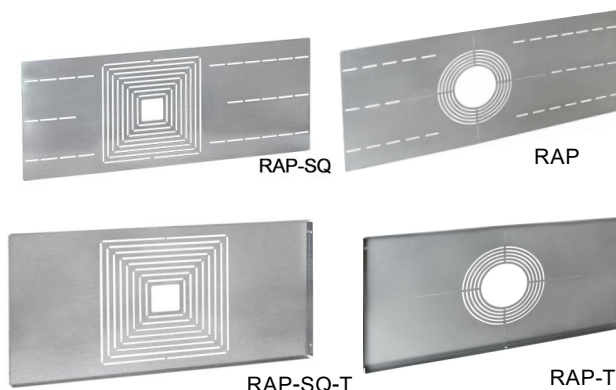
Cat. No.	Trade Size	Base Plate Size (A)	Base Plate Thickness (B)	Base Plate Screw Hole (C)	Std.Pkg.
RCP-50	1/2"	6" x 6"	16 GA	4-1/2" x 4-1/2"	20
RCP-75	3/4"	6" x 6"	16 GA	4-1/2" x 4-1/2"	20
RCP-100	1"	6" x 6"	16 GA	4-1/2" x 4-1/2"	20
RCP-125	1-1/4"	6" x 6"	16 GA	4-1/2" x 4-1/2"	10
RCP-150	1-1/2"	8" x 8"	15 GA	6-1/2" x 6-1/2"	10
RCP-200	2"	8" x 8"	15 GA	6-1/2" x 6-1/2"	10



SPECIFICATION & FEATURES RECESSED LIGHT ADAPTER PLATES

DESCRIPTION:

Orbit's Recessed Light Adapter Plates (RAP, RAP-SQ, RAP-T, RAP-SQ-T) are a fast and convenient solution for installing recessed lighting fixtures and/or ceiling speakers up to 4x faster than traditional bar hangers or fixture brackets. With multiple round or square CKOs, RAP Plates are the Industry's First One-Size-Fits-All Plate, allowing for a wide range of different recessed lighting fixtures.



CERTIFICATION:

Patent Pending
 Meets UL 1598 as
 "Recognized Component for Downlight Luminaries"



FEATURES:

Material:

20 GA Galvanized Sheet Steel

Dimensions:

RAP & RAP-SQ: 30"L x 12"W

RAP-T & RAP-SQ-T: 23.75"L x 12"W

General

- A faster and more convenient method to install recessed light fixtures than traditional bar hangers or fixture brackets
- Available for Hard Lid (RAP & RAP-SQ) and T-Bar (RAP-T & RAP-SQ-T) applications
- RAP & RAP-T accommodate most 4" to 8" round and up to 5-1/4" square recessed downlights
- RAP-SQ & RAP-SQ-T accommodate most 2" to 10" square recessed downlights or ceiling speakers
- RAP & RAP-SQ features slotted openings for mounting in up to 24" stud spacings. Offset, allowing for adjustability with irregular stud spacings.
- RAP-T & RAP-SQ-T fits standard 2' x 4' or 2' x 2' T-Bar grid
- RAP-T & RAP-SQ-T 's flanges provide rigidity when installed and feature pre-drilled holes for tek screws
- RAP-T & RAP-SQ-T can be flipped over for an additional 1/2" of depth if fixtures are blocked by the flanges
- RAP-T & RAP-SQ-T features holes on each side which allow for fixture wiring to comply with fire and seismic codes
- Center markings allow for an easy positioning and installing of fixtures onto plates with tek screw
- Can be easily preassembled for a quicker job site install

CONFIGURATION DATA:

Cat. No.	Description	Std.Pkg.
RAP	Recessed Light Fixture Adapter Plate For Hard Lid Applications, Round Opening	10
RAP-SQ	Recessed Light Fixture Adapter Plate For Hard Lid Applications, Square Opening	10
RAP-T	Recessed Light Fixture Adapter Plate For T-Bar, Round Opening	10
RAP-SQ-T	Recessed Light Fixture Adapter Plate For T-Bar, Square Opening	10



SPECIFICATION & FEATURES

DESCRIPTION:

Orbit Industries' Box & Conduit Hanger Support series is an innovative solution for installation of a hanging box using one plate. Orbit's support bracket is self-reinforcing as more conduits are added and require only one rod.

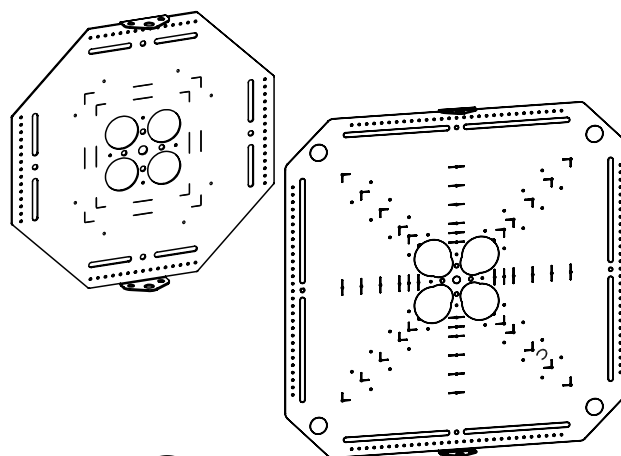
CERTIFICATION:

UL file E310661 Listed
ETL Listed

FEATURES

General:

- ETL Rated: Support of 100lbs (45.36kg) or less
- 16 Gauge Steel, Pre-Galvanized
- No cutting required
- Stamped markings provide guide lines
- Pin holes and slots allow for use of conduit straps
- Self-reinforcing as more conduit is added
- Requires only one rod for installation
- Easy to preassemble for labor cost savings
- MADE IN USA



Patented

DIMENSIONS

BCHS-10: Length-10.75", Width-10.75"

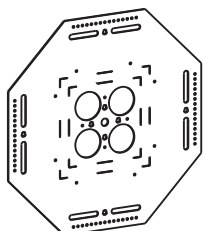
BCHS-6: Length-10.75", Width-10.75"

BCHS-6S: Length-13.3", Width-13.3"

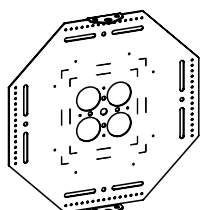
BCHS-12: Length-18", Width-18"

CONFIGURATION DATA

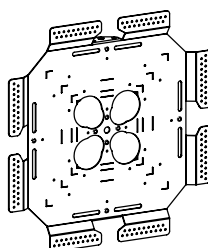
Catalog No.	Description	Std. Pkg.
BCHS-10	Fits up to 6" x 6" Boxes	25
BCHS-6	Horizontal mounting, and Provide bent tabs for vertical mounting, fits up to 6" x 6" Boxes	10
BCHS-6S	Horizontal mounting, and Provide bent tabs for vertical mounting, and enable the use of one-hole strap, fits up to 8" x 8" Boxes	10
BCHS-12	Horizontal mounting, and Provide bent tabs for vertical mounting, fits up to 12" x 12" Boxes	5



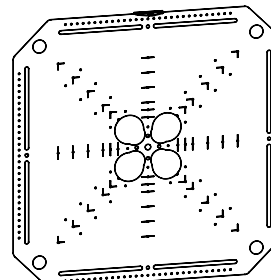
BCHS-10



BCHS-6



BCHS-6S



BCHS-12



SPECIFICATION & FEATURES

SLAB-ON-GRADE ADJUSTABLE PLATFORM

DESCRIPTION:

Streamline Cast Floor Box installation with Orbit's new Slab-on-Grade Adjustable Platform (SOG-AP), a versatile solution designed to enhance the power and data installation of various cast, steel and PVC floor boxes within concrete floors or slab-on-grade constructions. SOG-AP can be used with 1/2" EMT conduit or rebar. This innovative platform is equipped with Orbit's patented set-screw conduit locking connectors, allowing for a quick adjustment with pre-cut 1/2" EMT pipe. Simplify the installation process ensuring precise leveling for convenient adaptability.



CERTIFICATION:

Patented
Conforms to UL standards



FEATURES:

- Compatible with 1/2" EMT Conduit or Rebar
- Fits most Commercial Floor Box sizes
- Quickest way to support slab-on-grade floor boxes prior to concrete installation
- Includes platform and Set-Screw Conduit Locking Connectors. EMT or Rebar not included
- Set-Screw connectors have tri-combo screw
- BAA Compliant

SPECIFICATION:

Width: 18"
Height: 18"
Material: 15 GA Sheet Steel
Color: Galvanized
Mfg. Process: Stamped

CONFIGURATION DATA:

Part No.	Description	Std. Pkg.
SOG-AP	SLAB-ON-GRADE ADJUSTABLE PLATFORM FOR COMMERCIAL CAST, STEEL OR PVC FLOOR BOX	2



shown installed



SPECIFICATION & FEATURES

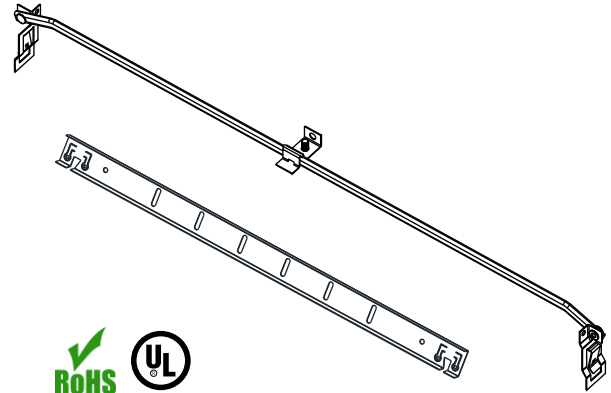
FIXED BAR HANGERS

DESCRIPTION:

Orbit Industries' Fixed Bar Hangers are used to securely install electrical and ceiling boxes that are offset from studs or joists. Orbit Industries offers a variety of designs, including T-bar brackets, straight bar hangers, offset bar hangers, and more. The T-bar bracket allows the ceiling box to slide along the bar after mounting. The BHT-1A model include height adjustment of the bracket up to 8" for a flush finish with the ceiling. Selected models include slots, BH-C box clips, or rings for ease of installation.

CERTIFICATION:

UL file E227970, conforms to UL514A.

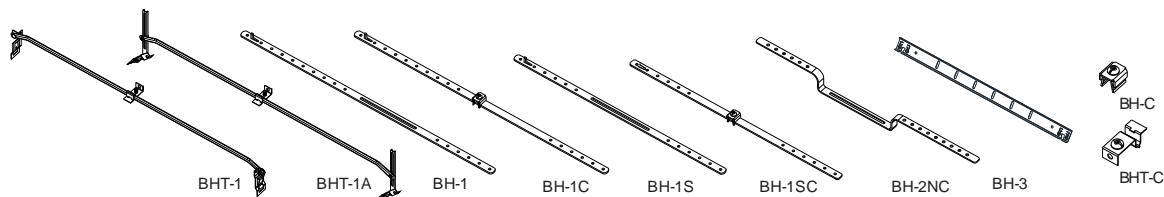


FEATURES

For Stud and T-Bar

CONFIGURATION DATA

Catalog No.	Description	Std. Pkg.
BHT-1	24" T-Bar bracket for use with boxes 1-1/2" or 2-1/8" Deep	50
BHT-1A	24" T-Bar bracket - 8" height adjustable	50
BH-1	24" Straight bar hanger for mounting ceiling boxes, Slotted, Includes 2 Stove Bolts per Unit	50
BH-1C	24" Straight bar hanger for mounting ceiling boxes, with BH-C Box Clip	50
BH-1S	20" Straight bar hanger for mounting ceiling boxes, Slotted, Includes 2 Stove Bolts per Unit	50
BH-1SC	20" Straight bar hanger for mounting ceiling boxes, With Box Clip BH-C	50
BH-2NC	21" Offset(1-1/2")bar hanger for mounting boxes with ring, Slotted, Includes 2 Stove Bolts per Unit	50
BH-C	Additional box clip & screw set for use with BH-1, BH-1S & BH-2NC	100
BH-3	Straight bracket for mounting architectural recess lights 25-1/4" long with notches 24" apart for use on T-Bar	50
BHT-C	Additional box clip & screw set for use with BHT-1& BHT-1A	100

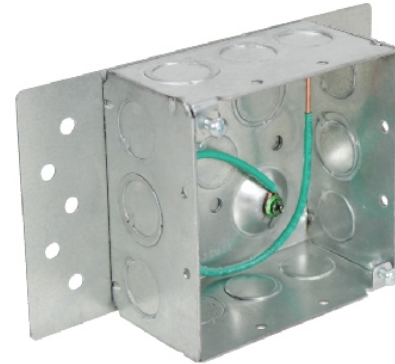


SPECIFICATION & FEATURES

4" SQUARE DEEP BOX WITH BACK PLATE

DESCRIPTION:

Orbit's Surface Mounting Box (4SDB-BP) provides a solution for surface mounting pre-wired boxes. Featuring a flat back plate with screw holes, this 4" square box can be mounted to most surfaces without having to access the inside of the box itself.



CERTIFICATION:

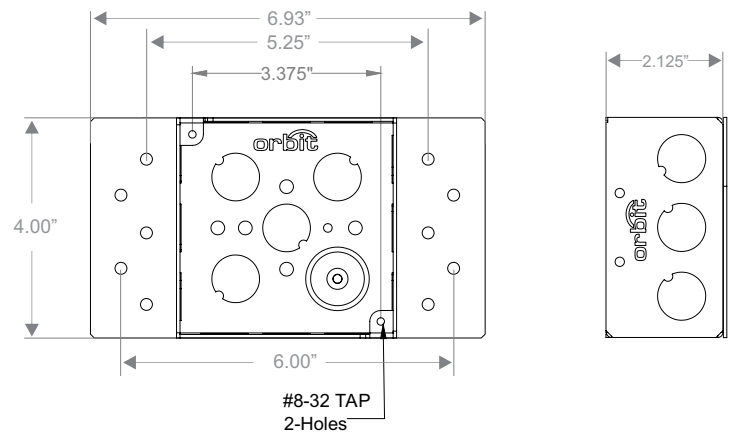
UL file E227970



FEATURES:

- Raised Ground Emboss
- Includes 10" Solid Cu. #12AWG Pigtail and 10-32 Ground Screw
- Back Mounting Plate allows for the pre-wiring of the box with device and cover before shipping to the field
- Can be mounted to ceilings, walls, corrugated surfaces or underneath counters
- For Fixture/Luminaire Support of 50 lbs or less

LINE DRAWINGS:



CONFIGURATION DATA:

Part No.	Description	KO Sides	Std.Pkg.
4SDB-BP	4" SQUARE, 2-1/8" DEEP BOX WITH MKO, 10" PIGTAIL AND BACK MOUNTING PLATE	(8) - 1/2" (4) - 1/2"&3/4" M.K.O	24



SPECIFICATION & FEATURES

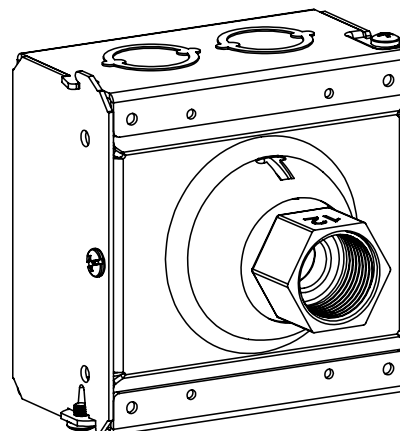
EASY ACCESS LIGHTING BOX 2-1/8" DEEP

DESCRIPTION:

Orbit Industries' EALB and EALBS are fast and versatile products for lighting fixture installations. According to our design, installation only requires one personnel to complete all the steps.

CERTIFICATION:

UL file E227970, conforms to UL514A.



FEATURES

General:

- Fast and efficient installations
- Sliding cover plate for one person installations
- Available with either standard or swivel sliding cover plate
- Swivel reduces damage to hanging fixtures when struck
- Only box UL-Listed for up to 90 lbs (40.8kg) of fixture load
- Patented

Knockout:

50: 1/2" K.O.

75: 3/4" K.O.

CKO: Concentric K.O. (1/2" and 3/4" K.O.)

DIMENSIONS

Width: 4"

Height: 4"

Depth: 2-1/8"

Cu.In.: 30.3

CONFIGURATION DATA

Catalog No.	Description	Knockouts		Std. Pkg.
		Sides	Bottom	
EALBS	Easy Access Lighting Box with Sliding Swivel Cover SCS-75S	(4)-CKO	(3)-1/2", (1)-3/4"	10



SPECIFICATION & FEATURES

EXCLUSIVE ADJUSTABLE RINGS

DESCRIPTION:

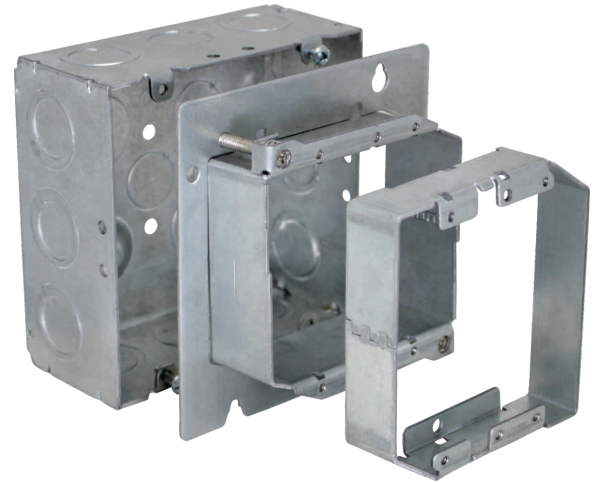
Orbit Industries' Patented, Exclusive, Adjustable Rings provide labor-saving solutions when finished wall depths are unknown. Rings are available for 4" and 4-11/16" square boxes.

CERTIFICATION:

ETL File 3033655, U.S. Patent No.: 7,468,486
Patented Design

FEATURES:

- For use with 4" or 4-11/16" square boxes
- Rings have 1/4" to 1-1/4" adjustability ranges
- Universal Box Brackets (WBAR) accept 4" or 4-11/16" square boxes or can be used standalone for low voltage applications
- Universal Box Brackets mount to any stud, shear wall, 6" x 6" NEMA Enclosure, Simple Support Bracket or Ultimate Support Bracket
- Extensions attach to rings for additional 3/4" of depth



CONFIGURATION DATA:

Cat. No.	Description	Standard	+1GX75	+2GX75	Std.Pkg.
4SAR1G	1-Gang Adjustable ring for 4" Square Boxes	1/4" to 1-1/4"	1" to 2"	-	25
4SAR2G	2-Gang Adjustable ring for 4" Square Boxes	1/4" to 1-1/4"	-	1" to 2"	25
5SAR1G	1-Gang Adjustable ring for 4-11/16" Square Boxes	1/4" to 1-1/4"	1" to 2"	-	25
5SAR2G	2-Gang Adjustable ring for 4-11/16" Square Boxes	1/4" to 1-1/4"	-	1" to 2"	25
WBAR1G	1-Gang Universal Box Bracket	1/4" to 1-1/4"	1" to 2"	-	25
WBAR2G	2-Gang Universal Box Bracket	1/4" to 1-1/4"	-	1" to 2"	25
1GX75	1-Gang 3/4" Extension	-	-	-	50
2GX75	2-Gang 3/4" Extension	-	-	-	50



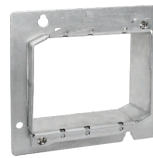
4SAR1G



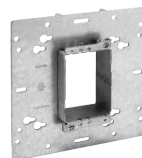
4SAR2G



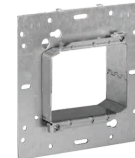
5SAR1G



5SAR2G



WBAR1G



WBAR2G



1GX75



2GX75



SPECIFICATION & FEATURES

ADJUSTABLE RINGS EXTENSIONS AND ACCESSORIES

DESCRIPTION:

Orbit Industries features various accessories compatible with our exclusive adjustable rings. Extensions provide an additional 3/4" of depth and can be stacked infinitely. Protective Covers shield devices during drywall, painting, routing, muddling and plastering

CERTIFICATION:

ETL File 3033655, U.S. Patent No.: 7,468,486
Patented Design

FEATURES:

- Extensions ensure a flush finish regardless of wall thickness
- Attaches to Orbit's Exclusive Adjustable Ring for an additional 3/4" of depth
- Easily mounted onto ring via two 8-32 screws
- Multiple extensions can be installed on one ring
- Universal Protective Cover protects any device during drywall, painting, routing, muddling and plastering



CONFIGURATION DATA:

Cat. No.	Description	For Use With	Std.Pkg.
1GX75	1-Gang 3/4" Extension	4SAR1G, 5SAR1G or WBAR1G	50
2GX75	2-Gang 3/4" Extension	4SAR2G, 5SAR2G or WBAR2G	50
UPC	Universal Protective Cover	-	25
UPCTS	Option Plastic Insert for UPC for Toggle Switch	-	25



1GX75



2GX75



UPC



UPCTS



SPECIFICATION & FEATURES

UL-APPROVED ADJUSTABLE RINGS FOR 4S BOXES

DESCRIPTION:

Orbit Industries' patented UL-Listed 4S Adjustable Rings provide labor-saving solutions when finished wall depths are unknown. Available for 1-Gang, 2-Gang and Round applications, each ring is used with a 4" Square Box for mounting electrical devices. Rings can be adjusted from 5/8" up to 1-1/2" or from 3/4" up to 1-1/2".

CERTIFICATION:

UL Listed, UL Standard 514A
Patented Design



FEATURES:

- For use with 4" Square Boxes
- Adjusts to achieve a flush finish every time
- Adjustable on the job site to adapt to different wall depths
- Can be pre-adjusted before arriving to the field for a quicker installation
- Patented design provides strong electrical and mechanical connections to meet UL requirements

CONFIGURATION DATA:

Cat. No.	Description	Adjustability Range	Std.Pkg.
4AR1G-58	1-Gang Adjustable ring for 4S Boxes	5/8" to 1-1/4"	25
4AR1G-34	1-Gang Adjustable ring for 4S Boxes	3/4" to 1-1/2"	25
4AR2G-58	2-Gang Adjustable ring for 4S Boxes	5/8" to 1-1/2"	25
4ARR-34	Round Adjustable ring for 4S Boxes	3/4" to 1-1/2"	25



4AR1G-58



4AR1G-34



4AR2G-58



4ARR-34



SPECIFICATION & FEATURES

UL-APPROVED ADJUSTABLE RINGS FOR 5S BOXES

DESCRIPTION:

Orbit Industries features the Industry's ONLY UL-Listed 5S Adjustable Rings. Available for 1-Gang and 2-Gang applications, each ring is used with 4-11/16" Square Boxes for mounting electrical devices when finished wall depths are unknown. Rings can be adjusted from 5/8" up to 1-1/2", providing flexibility during installation and helping achieve a flush finish every time.

CERTIFICATION:

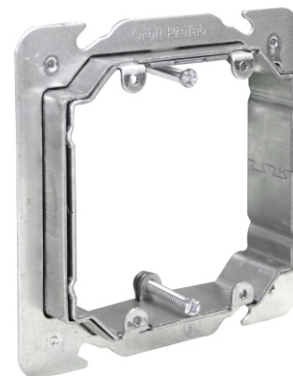
UL File E227970 Listed

FEATURES:

- Industry's ONLY UL-Listed 5S Adjustable Rings
- For use with 4-11/16" Square Boxes
- 5/8" to 1-1/2" adjustability range
- Adjusts to achieve a flush finish every time
- Adjustable on the job site to adapt to different wall depths
- Can be pre-adjusted before arriving to the field for a quicker installation



5AR1G-58
5AR1G-34



5AR2G-58



CONFIGURATION DATA:

Cat. No.	Description	Adjustability Range	Std.Pkg.
5AR1G-58	1-Gang Adjustable ring for 5S Boxes	5/8" to 1-1/4"	25
5AR1G-34	1-Gang Adjustable ring for 5S Boxes	3/4" to 1-1/2"	25
5AR2G-58	2-Gang Adjustable ring for 5S Boxes	5/8" to 1-1/2"	25



SPECIFICATION & FEATURES

UL-APPROVED 3-GANG ADJUSTABLE RING

DESCRIPTION:

Orbit's patented 3-Gang adjustable prefab ring provides labor-saving solutions when finished wall depths are unknown. It ensures flush installations with finished walls.

CERTIFICATION:

UL Listed, UL Standard 514A
Patented Design



FEATURES:

- 3/4" to 1-1/2" Adjustablility Range
- Can be adjusted on the job site for a quick installation
- Adjusts to achieve a flush finish every time
- Patented design provides strong electrical and mechanical connections to meet UL requirements



CONFIGURATION DATA:

Cat. No.	Description	Adjustability Range	Std.Pkg.
3GAR-34	3-Gang Adjustable ring	3/4" to 1-1/2"	25

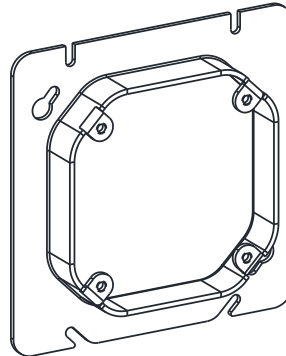


SPECIFICATION & FEATURES

UNIVERSAL 4" & 4-11/16" SQUARE TO 4" OCTAGON DEVICE RING

DESCRIPTION:

Orbit's Patent-Pending Universal Square-to-Octagon Device Rings transition any 4" or 4-11/16" square box into a 4" octagon (3-1/2" O.C.) opening. 540X Series features four (4) dual-direction mounting tabs, so 4O compatible devices can be installed in any orientation. These rings help increase flexibility on the job site, while reducing the installer's material handling costs. Increase box fill volume by 95% (up to 42.0 Cu. In.) when paired with a 4-11/16" square deep box (5SDB-MKO).



CERTIFICATION:

UL Listed, UL Standard 514A
Patent Pending



FEATURES:

- Universal 4" & 4-11/16" square ring with 4" octagon (3-1/2" O.C.) opening
- Available in 5/8" thru 1-1/4" raised
- Four (4) dual-direction mounting tabs allow device installation in any orientation
- Increase box fill volume by 95% (up to 42.0 Cu. In.) versus deep 4O boxes (21.5 Cu. In.)
- Ideal for light fixtures, sensors, LED drivers and other 4O compatible devices

*FOR FIXTURE/LUMINAIRE SUPPORT OF 50LBS OR LESS

SPECIFICATIONS:

Dimensions

- Width: 4-11/16"
- Height: 4-11/16"
- Material: 16 GA Sheet Steel
- Mfg. Process: Drawn
- Color: Galvanized

CONFIGURATION DATA:

Cat. No.	UPC	Ring Depth	Cu. In.	Std.Pkg.
54058X	835243029057	5/8"	7.5	50
54075X	835243029064	3/4"	8.8	50
54100X	835243029071	1"	11.8	25
54125X	835243029088	1-1/4"	14.5	25



SPECIFICATION & FEATURES

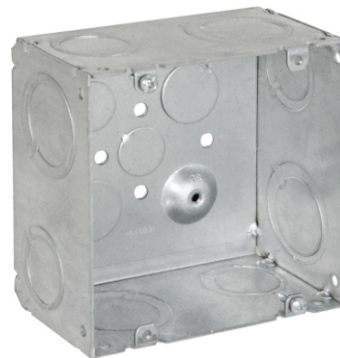
DESCRIPTION:

Orbit Industries' 4-11/16" Square (5S) Large Capacity Boxes are suitable for Datacom and electrical applications. They are constructed from 16 gauge galvanized steel. The 2-1/2" deep, welded boxes include a pre-assembled raised ground emboss multiple and two #8-32 x 1/2" mounting screws. Knockouts are in sizes 1/2", 3/4", 1", and 1-1/4".

CERTIFICATION:

UL file E227970, conforms to UL514A.

4 -11/16" SQUARE (5S) WELDED LARGE CAPACITY BOXES 2-1/2" DEEP



5SLB-2MKO

FEATURES:

General:

With Raised Ground Emboss & TWO #8-32 x 1/2"
MOUNTING SCREWS
Suitable for Datacom & Electrical Applications
Blue Color available for Data Application

Knockout:

50: 1/2" K.O.
75: 3/4" K.O.

MKO: Moon K.O. (See sizes below)

Mfg. Process: WELDED



DIMENSIONS:

Width: 4-11/16"
Height: 4-11/16"
Depth: 2-1/2"
Cu.In.: 49.4

CONFIGURATION DATA:

Cat. No.	Description	K.O. on Sides	K.O. on Bottom	Std.Pkg.
5SLB-2MKO	2-1/2" DEEP, 4-11/16" SQUARE (5S) LARGE CAPACITY BOX	(4) - 3/4" & 1" MKO, (4) - 1" & 1-1/4" MKO	(2) - 1/2", (2) - 3/4"	24
B-5SLB	2-1/2" DEEP, 4-11/16" SQUARE (5S) LARGE CAPACITY BOX, PAINTED BLUE	(4) - 3/4" & 1" MKO, (4) - 1" & 1-1/4" MKO	(2) - 1/2", (2) - 3/4"	24



SPECIFICATION & FEATURES

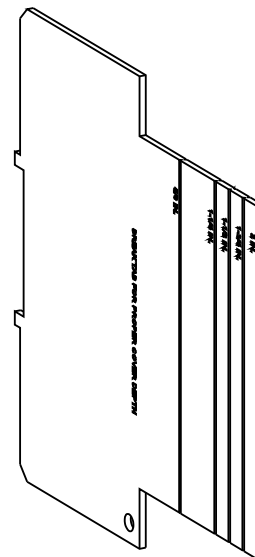
4-11/16" SQUARE (5S) BOXES LOW-VOLTAGE PARTITIONS

DESCRIPTION:

Orbit Industries' 4-11/16" Square (5S) Box Low-Voltage Partitions are used with 4-11/16" Square Boxes to divide boxes into compartments for low voltage and power devices. Parts can be easily installed with breakaway tabs. They are used with 2-1/8" and 2-1/2" deep boxes and with various 2-Gang rings.

CERTIFICATION:

RoHS Compliant



CONFIGURATION DATA

Catalog No.	Description	For Use with 2-Gang Rings	Std. Pkg.
5SDP-100	For Use With 2-1/8" Deep Boxes	Flat, 1/4", 1/2", 3/4" 1"	25
5SDP-200	For Use With 2-1/8" Deep Boxes	5/8", 1-1/4", 1-1/2", 1-3/4" 2"	25
5SLP-100	For Use With 2-1/2" Deep Boxes	Flat, 1/4", 1/2", 3/4" 1"	25
5SLP-200	For Use With 2-1/2" Deep Boxes	5/8", 1-1/4", 1-1/2", 1-3/4" 2"	25



5SDP-100



5SDP-200



5SLP-100



5SLP-200



SPECIFICATION & FEATURES 5" SQUARE BOXES AND COVERS

DESCRIPTION:

Orbit Industries' selection of 5" Square Boxes and Accessories provides the capacity needed to handle modern-day hospital, commercial, government, university and other data installations. Up to 71.8 cubic inches of capacity allow for an easier installation of high-speed cable, resulting in reduced labor costs and cable stress.

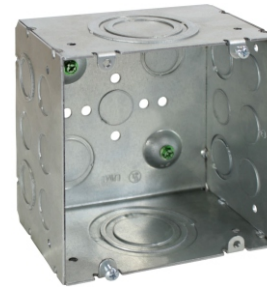
CERTIFICATION:

*UL File E227970 Listed



FEATURES:

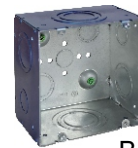
- More than double the capacity of standard 4" square boxes
- Increased capacity easily meets minimum bend radius requirements for an easier installation
- Extra space in the box reduces the chance of short circuits and ground faults due to cramped spaces and cable stress
- Can store the BICSI-recommended slack cable loop, allowing for easy access and cable termination by a single technician
- Supports all current copper CAT and fiber optic cables in addition to predicted cable size increases
- Suitable brackets allow the T5B to use a 4" ring, reducing material costs
- Available in blue for data applications



T5B-50/200



T5B-200



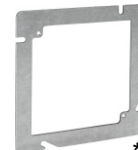
B-T5B



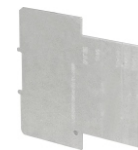
*B-T5C



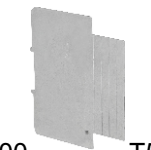
*T5C



*T5R



T5P-200



T5P-100

DIMENSIONS:

T5 Box:
Width: 5"
Height: 5"
Depth: 3-1/4"
Cu.In.: 71.8

T5 Cover:
Width: 5"
Height: 5"

CONFIGURATION DATA:

Cat. No.	Description	K.O. on Sides	K.O. on Bottom	Std.Pkg.
T5B-50/200	TRUE 5" SQUARE BOX, 1/2" KO & 2" MKO	(2) 1" to 2" C.K.O.'s (4) 1/2" & 3/4" C.K.O.'s (8) 1/2" K.O.'s	(1) 1/2" & 3/4" M.K.O.'s (1) 3/4" & 1" M.K.O.'s & (1) 1/2" K.O.'s (2) Ground Screws	10
T5B-200	TRUE 5" SQUARE BOX	(4) 1/2" to 1-1/4" C.K.O.'s (2) 1" to 2" C.K.O.'s	(1) 1/2" & 3/4" M.K.O.'s (1) 3/4" & 1" M.K.O.'s & (1) 1/2" K.O.'s (2) Ground Screws	10
T5C	TRUE 5" BLANK COVER	-	-	50
T5R	TRUE 5" REDUCER COVER, 4" SQUARE OPENING	-	-	50
T5P-100	TRUE 5" SQUARE BOX PARTITION, FOR USE WITH 3-1/4" DEEP BOXES, FLAT TO 1" 2-GANG RINGS	-	-	25
T5P-200	TRUE 5" SQUARE BOX PARTITION, FOR USE WITH 3-1/4" DEEP BOXES, 5/8", 1-1/4" TO 2" 2-GANG RINGS	-	-	25
B-T5B	BLUE TRUE 5" SQUARE BOX	(2) 1" to 2" C.K.O.'s, (2) 1" & 1-1/4" M.K.O.'s (2) 1/2" & 3/4" M.K.O.'s	(1) 1/2" & 3/4" M.K.O.'s (1) 3/4" & 1" M.K.O.'s & (1) 1/2" K.O.'s (2) Ground Screws	12
B-T5C	BLUE TRUE 5" BLANK COVER	-	-	50



SPECIFICATION & FEATURES

FIRESTOP PUTTY STICK & PAD

DESCRIPTION:

Orbit Industries' Firestop Putty Pads and Sticks are hand-moldable, non-curing, fire rated material used to prevent the spread of hazards in the event of a fire. Fire Rated for up to 3 hours, the products expand when exposed to fire, preventing the passage of flame, smoke and toxic gases. Both pads and sticks will not dry out or crumble, and can be reused as penetrating items are installed or removed. *Putty Pads* are used on electrical boxes to maintain the hourly rating of fire-rated walls. In addition they help reduce sound transmission and feature a STC rating of 60. *Putty Sticks* are used to seal around penetration items such as cables, electrical conduits and metal pipes, through fire-rated walls, floors and blank openings.



FSPPP67
FSPPP77

FSPS18

FEATURES:

- Applied by hand with no curing time
- Pad - Soundproof with STC Rating 60*
- Intumescent @ 220 °F
- No Asbestos fillers or Volatile Solvents include
- Will not dry out or crumble, reusable
- Adheres to all common building surfaces
- Fire rated up to 3 hours in accordance with ASTM E814, UL 1479 and ULC/CAN4-S115-M Standards

* Tested in a UL 411 wall assembly/section to ASTM E90

CERTIFICATION:



CONFIGURATION DATA:

Part No.	Description	Std Qty
FSPS18	FireStop Putty Stick, 18 Cu.In., Red	12
FSPPP67	FireStop Putty Pad, 6"x7"x1/8", Red	20
FSPPP77	FireStop Putty Pad, 7"x7"x1/8", Red	20



SPECIFICATION & FEATURES

DESCRIPTION:

FIREBLOK's Universal Firestop Insert is intumescent thermoplastic pad used as a membrane penetration fire stop in electrical boxes maintaining the fire-resistant ratings of wall assemblies and when the horizontal separation between metallic boxes on opposite sides of the wall is less than 24" apart. The insert is certified for both 1 & 2 hour, U300, U400, V400 and U411 wall assemblies with metal electrical boxes with plastic or metal cover plates. UFSI can be used in different box sizes from single gang boxes, 4" Square boxes to 4-11/16" Square boxes.

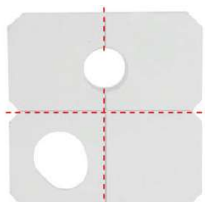
FEATURES:

- 3-3/4" x 3-3/4" x 3/8"
- Volume: 2.1 Cu. In
- Easily applied by hand
- Expansion begins @ 300°F / 148°C
- Highly Intumescent (20+ times its original size)
- Certified for both 1 & 2 Hour fire rated wall
- Soundproof with a STC Rating 52*
- Pre-Molded Ground Screw Openings
- Certified for both Plastic and Metal faceplates in all fire-rated walls
- Pre-Scored on the back for easy snapping and installation
- Warranted for the life of the building when stored below 130°F / 54°C
- Adheres to back of electrical box

* Tested to ASTM E90 Standard

CONFIGURATION DATA:

Part No.	Description
UFSI	UNIVERSAL FIRESTOP INSERT FOR 1-GANG, 4" & 4-11/16" METAL ELECTRICAL BOXES



Break-apart Design



UFSI Shown Installed

UNIVERSAL FIREBLOK FIRESTOP INSERT FOR METAL ELECTRICAL BOXES



UFSI



FireBlok

APPLICATION:

1-Gang Box:

Use half insert for max 2-1/8" x 4" x 2-1/8" in deep 1-Gang box, adheres into back of box

4S Box:

Use one insert for max 4" x 4" x 2-1/8" in deep 4S box, adheres into back of box

5S Box:

Use one and a half insert for max 4-11/16" x 4-11/16" x 2-1/8" in deep 5S box, one covering the inside back of the box and half insert on an internal side of the box



SPECIFICATION & FEATURES

DESCRIPTION:

Orbit Industries' Double-Snap Cable Connectors offer a fast and tool-free installation of metal clad or armored cables to steel boxes. Simply snap the cable to the connector and then snap to the box. Removable without tools and reusable. DSC-38C is available for Old Work Installations.

DSC-38: Steel/AL AC: 14/2 (0.40") - 10/3 (0.618")
 Steel MCI: 0.395" - 0.638"
 AL MCI: 0.40" - 0.618"
 Steel/AL MCI-A: 14/2 (0.395") - 10/3 (0.638")
 Steel/AL HCF MCI-A: 14/2 (0.395") - 10/3 (0.638")
 AL RWFMC: 3/8"

DSC-38C: Steel/AL AC: 14/2 (0.40") - 10/3 (0.618")
 Steel/AL MCI: 14/2 (0.395") - 10/3 (0.638")
 Steel/AL MCI-A: 14/2 (0.395") - 10/3 (0.638")
 Steel/AL HCF MCI-A: 14/2 (0.395") - 10/3 (0.638")
 Steel/AL FMC: 3/8"

CERTIFICATION:

UL file E362145, conforms to UL 514B

FEATURES:

- Zinc Die Cast
- 105°C rated throat insulator
- Fast and Tool-free installation
- Removable and Reusable
- For FMC (DSC-38 Only), AC, MCI, MCI-A, HCF, RWFMC (DSC-38C Only)
- Dry location

ZINC DIE CAST DOUBLE-SNAP CABLE CONNECTORS WITH INSULATOR



DSC-38



DSC-38C



CONFIGURATION DATA:

Part No.	Description	Trade Size	KO Size	Std.Pkg.	Master Ctn.
DSC-38	DOUBLE-SNAP CABLE CONNECTOR WITH INSULATOR	3/8"	1/2"	50	500
DSC-38C	CUT-IN DOUBLE-SNAP CABLE CONNECTOR WITH INSULATOR, FOR OLD WORK	3/8"	1/2"	50	500



SUBMITTAL SHEET

STEEL "FASTLOCK" CONNECTOR

DESCRIPTION:

Orbit Industries' fast lock connectors with insulated throats are used to connect flexible metal conduits like metal clad cables or armored cables to electrical junction boxes or enclosures. The fast lock connectors snap on box knockout openings and no locknuts are needed to secure them. They accept multiple cable sizes. Fast lock connectors are made with a different kinds of combination head screw that can be securely fastened using a slotted Phillips, or Robertson head screw driver. They are also of excellent corrosion protection with zinc electroplated.



FEATURES:

- Steel
- Electroplated Zinc
- Saddle-Base Connector
- Combo Head Set-Screw
- Insulated color may vary
- Used with:
 - Steel AC: 14/2 (0.475") - 10/3 (0.565")
 - AL AC: 14/2 (0.464") - 10/3 (0.610")
 - Steel MCI: 14/2 (0.455") - 10/3 (0.565")
 - AL MCI: 14/2 (0.455") - 10/3 (0.600")
 - Steel HCF AC: 14/2 (0.475") - 10/3 (0.565")
 - AL HCF AC: 14/2 (0.464") - 10/3 (0.610")
 - AL MCI-A: 14/2 (0.385") - 10/3 (0.510")
 - HCF MCI-A: 14/2 (0.385") - 10/3 (0.510")
 - Steel/AL FMC/RWFMC: 3/8"

CERTIFICATION:

UL file E310658, Conforms to UL 514B



CONFIGURATION DATA:

Part No.	UPC	Trade Size	Std.Pkg.	Master Ctn
FLC-50	8-35243-04924-6	1/2"	50	500

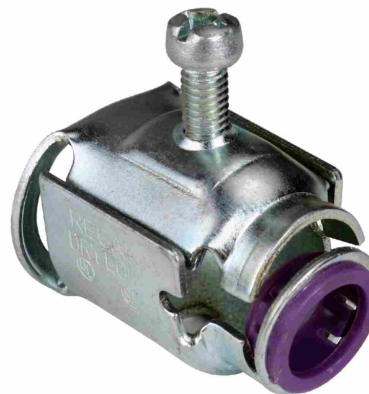


SUBMITTAL SHEET

STEEL "FASTLOCK" WIDE-THROAT CONNECTORS

DESCRIPTION:

Orbit Industries' fast lock connectors with insulated throats are used to connect flexible metal conduits like metal clad cables or armored cables to electrical junction boxes or enclosures. The fast lock connectors snap on box knockout openings and no locknuts are needed to secure them. They accept multiple cable sizes. Fast lock connectors are made with a different kinds of combination head screw that can be securely fastened using a slotted Phillips, or Robertson head screw driver. They are also of excellent corrosion protection with zinc electroplated.



FEATURES:

- Steel
- Electroplated Zinc
- Saddle-Base Connector
- Combo Head Set-Screw
- For AC, MCI, HCF AC, MCI-A, HCF MCI-A, FMC/RWFMC
- Insulated color may vary

CERTIFICATION:

Meet UL 514B Requirement

CONFIGURATION DATA:

Part No.	UPC	Used With	K.O. Size	Std.Pkg.	Master Ctn
FLC-50L	8-35243-03750-2	Steel AC: 10/4 (0.605") - 6/3 (0.853") AL AC: 10/3 (0.610") - 6/3 (0.823") Steel MCI: 10/3 (0.580") - 8/3 (0.690") AL MCI: 10/3 (0.520") - 8/3 (0.690") Steel HCF AC: 10/4 (0.605") - 6/3 (0.853") AL HCF AC: 10/3 (0.610") - 6/3 (0.823") AL MCI-A: 8/3 (0.675") HCF MCI-A: 8/3 (0.675") Steel/AL FMC/RWFMC: 1/2"	1/2"	50	500
FLC-75L	8-35243-03751-9	Steel AC: 10/3 (0.545") - 6/3 (0.850") AL AC: 10/3 (0.600") - 6/3 (0.835") Steel MCI: 10/3 (0.550") - 6/3 (0.850") AL MCI: 10/3 (0.580") - 6/3 (0.850") Steel HCF AC: 10/3 (0.545") - 6/3 (0.850") AL HCF AC: 10/3 (0.600") - 6/3 (0.835") AL MCI-A: 8/3 (0.675") - 6/3 (0.785") HCF MCI-A: 8/3 (0.675") - 6/3 (0.785") Steel/AL FMC/RWFMC: 1/2"	3/4"	25	250



SUBMITTAL SHEET

STEEL "FASTLOCK" DUPLEX CONNECTORS

DESCRIPTION:

Orbit Industries' fast lock connectors with insulated throats are used to connect flexible metal conduits like metal clad cables or armored cables to electrical junction boxes or enclosures. The fast lock connectors snap on box knockout openings and no locknuts are needed to secure them. They accept multiple cable sizes. Fast lock connectors are made with a different kinds of combination head screw that can be securely fastened using a slotted Phillips, or Robertson head screw driver. They are also of excellent corrosion protection with zinc electroplated.



FEATURES:

- Steel
- Electroplated Zinc
- Combo Head Set-Screw
- Insulated color may vary
- Used With:
 - Steel AC: 14/2 (0.475") - 10/3 (0.565")
 - AL AC: 14/2 (0.464") - 12/4 (0.600")
 - Steel MCI: 14/2 (0.455") - 12/4 (0.545")
 - AL MCI: 14/2 (0.455") - 12/4 (0.550")
 - Steel HCF AC: 14/2 (0.475") - 10/3 (0.565")
 - AL HCF AC: 14/2 (0.464") - 12/4 (0.600")
 - AL MCI-A: 14/2 (0.385") - 10/3 (0.520")
 - HCF MCI-A: 14/2 (0.385") - 10/3 (0.520")
 - Steel/AL FMC/RWFMC: 3/8"

CERTIFICATION:

UL file E310662, Conforms to UL 514B



CONFIGURATION DATA:

Part No.	UPC	Trade Size	Std.Pkg.	Master Ctn
FLD-50	8-35243-04925-3	1/2"	25	250



SUBMITTAL SHEET

STUD MOUNTING CABLE SUPPORT

DESCRIPTION:

CS-CJ6 Stud Mounting Cable Support With Locking Tab



FEATURES:

- Pre-Galvanized Steel
- Wood or Metal Stud
- Easy to Lock
- Non-Metallic Cable: Max. 6 Cables Per Fastener
- MC/AC/BX Cable: Max. 4 Cables Per Fastener

CERTIFICATION:



CONFIGURATION DATA:

Part No.	UPC	Master Ctn
CS-CJ6	8-35243-00417-7	100

