



SUBMITTAL SHEETS

EXIT & EMERGENCY LIGHTING - F



**Catalog#: EL2NM-LED
 LED EMERGENCY LIGHT**

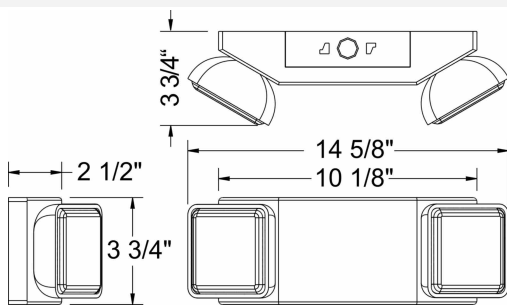
Category
Page

Emergency Lights
[E1](#)

Features:

- Dual-Voltage Input 120/277VAC Operation
- UL Listed for Damp Location
- Long-lasting, Energy Saving ultra-bright LED Lamps
- 90 Minutes Minimum Emergency Operation
- Injection Molded, 5VA Flame Retardant, High Impact, Thermoplastic
- Fully adjustable, glare-free Lamp Heads
- Universal Mounting Plate with Quick-Connect
- Conduit Mount Knockout on top of housing
- Suitable for wall and ceiling mounting
- High Performance Chrome Plated Receptor
- Push to Test Switch
- Maintenance free 3.6V NiCd Battery
- Fully automatic operation
- Remote Capable for up to 2 additional Lamp Heads(HO Only)

Line Drawings:



Certifications:



| CAT NO | Housing Color | Options |
|-----------|------------------------|--|
| EL2NM-LED | W (White) B (Black) | HO (High Output) SDT (Self Diagnostic Test) |





Catalog#: EL2HM-LED
EMERGENCY LIGHT TWO HEAD LED MINIATURE

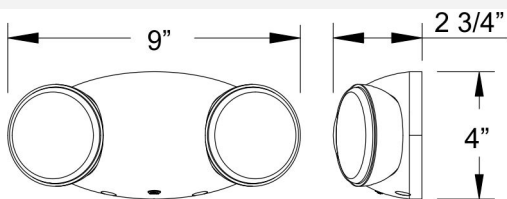
Category
Page

Emergency Lights
[E2](#)

Features:

- Dual-Voltage Input 120/277VAC Operation
- UL Listed for Damp Location
- Long-lasting, Energy Saving ultra-bright LED Lamps
- 90 Minutes Minimum Emergency Operation
- Injection Molded, 5VA Flame Retardant, High Impact, Thermoplastic
- Fully adjustable, glare-free Lamp Heads
- Universal Mounting Plate with 1/2" Knockout
- Suitable for wall and ceiling mounting
- High Performance Chrome Plated Receptor
- Push to Test Switch
- Maintenance free 3.6V NiCd Battery
- Fully automatic operation

Line Drawings:



Certifications:



| CAT NO | Housing Color |
|-----------|------------------------|
| EL2HM-LED | W (White) B (Black) |





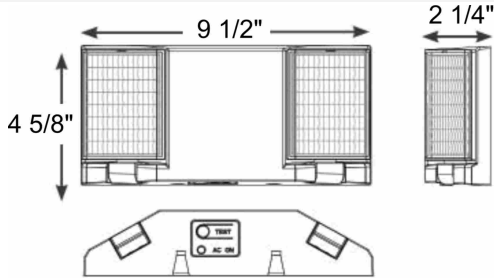
Catalog#: EL2FM-LED
MICRO LED EMERGENCY LIGHT

Category Emergency Lights
Page [E3](#)

Features:

- Dual-Voltage Input 120/277VAC Operation
- UL Listed for Damp Location
- Long-lasting, Energy Saving ultra-bright LED Lamps
- 90 Minutes Minimum Emergency Operation
- Injection Molded, 5VA Flame Retardant, High Impact, Thermoplastic
- Fully adjustable, glare-free Lamp Heads
- Universal Mounting Plate with Quick-Connect
- Conduit Mount Knockout on top of housing
- Suitable for wall and ceiling mounting
- Push to Test Switch
- Maintenance free 3.6V NiCd Battery
- Fully automatic operation

Line Drawings:



Certifications:



| CAT NO | Housing Color |
|-----------|------------------------|
| EL2FM-LED | W (White) B (Black) |





Catalog#: EL2SML
SUPER MICRO ADJUSTABLE HEAD LED EMERGENCY LIGHT

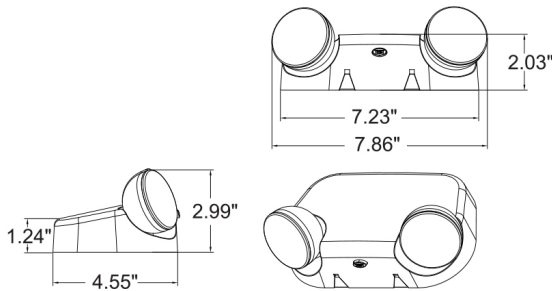
Category
Page

Emergency Lights
 4 (Exit & Emergency Lighting Catalog)

Features:

- Dual-Voltage Input 120/277VAC Operation
- UL Listed for Damp Location
- Long-lasting, Energy Saving ultra-bright LED Lamps (0.5W per lamp head)
- 90 Minutes Minimum Emergency Operation
- Injection Molded, 5VA Flame Retardant, High Impact, Thermoplastic
- Fully adjustable, glare-free Lamp Heads
- Universal Mounting Pattern with Quick-Connect
- Conduit Mount Knockout on top of housing
- Suitable for wall and ceiling mounting
- Push to Test Switch
- LED indicator light alerts occupant of battery level
- Maintenance free 3.6 NiCd Battery
- Fully automatic operation

Line Drawings:



Certifications:



| CAT. NO. | Housing Color |
|----------|------------------------|
| EL2SML | W (White) B (Black) |





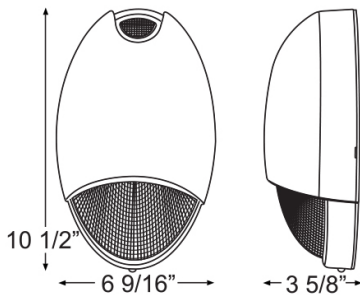
Catalog#: EL1DOL
DECORATIVE WET LOCATION LED EMERGENCY LIGHT

Category Emergency Lights
Page [5](#) (Exit & Emergency Lighting Catalog)

Features:

- Universal Voltage 120-277VAC Operation
- UL Listed for Wet Location
- Suitable for cold weather with heater option (-10°C ~ 40°C)
- 12W, 5000K Energy Saving LED Lamp
- 1286 lumens standard and 350 lumens in Emergency mode
- 90 Minutes Minimum Emergency Operation
- Die Cast Aluminum Housing with Powder Coated Finish
- Universal Mounting Plate
- Threaded opening at top of enclosure for Conduit Mounting
- Suitable for wall and ceiling mounting
- Can be used as a Normal Light or an Emergency Light
- Self Diagnostic Testing Standard
- Push-to-Test Switch
- Maintenance-free 4.8V Rechargeable NiCd Battery
- Fully automatic operation

Line Drawings:



Certifications:



| CAT. NO. | Housing Color | Options |
|----------|---|---|
| EL1DOL | W (White) BR (Bronze) B (Black) N (Nickel) | HTR (Internal Heater) PC (Photocell) |





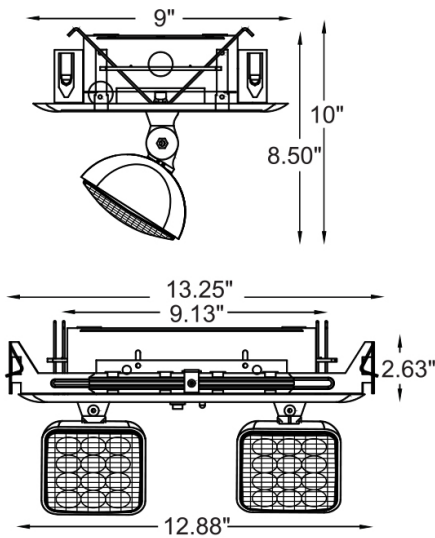
Catalog#: EL2LR
RECESSED LED EMERGENCY LIGHT

Category Emergency Lights
Page 6 (Exit & Emergency Lighting Catalog)

Features:

- Dual-Voltage Input 120/277VAC Operation
- Two fully adjustable 1W LED Lamp Heads
- 90 Minutes Minimum Emergency Operation
- Durable 20 Gauge Steel Trim Plate
- Adjustable Bar Hanger up to 24" for Recessed Mounting
- Push to Test Switch
- High capacity battery offers 10W of Remote Capacity
- Maintenance free 6V, Rechargeable Sealed Lead-Acid Battery
- Fully automatic operation

Line Drawings:



Certifications:



| CAT. NO. | Housing Color |
|----------|------------------------|
| EL2LR | W (White) B (Black) |





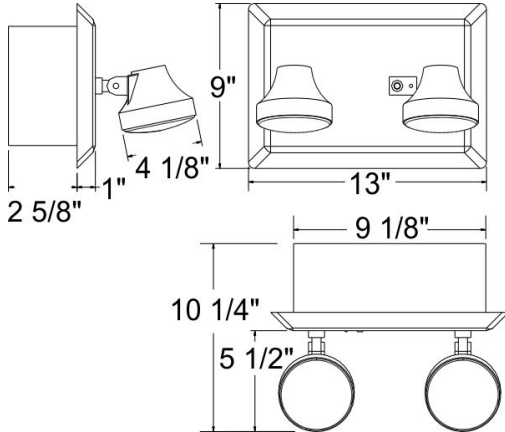
Catalog#: EL2R
REMOTE-CAPABLE TWO-HEAD EMERGENCY LIGHT NON ADJUSTABLE

Category Emergency Lights
Page [E4](#)

Features:

- Dual-Voltage Input 120/277VAC Operation
- Two fully adjustable 6V 5.4W T5 Wedge Base Lamp Heads
- 90 Minutes Minimum Emergency Operation
- Durable 20 Gauge Steel Plate
- Adjustable Bar Hanger up to 24" for Recessed Mount
- Chrome Plated Reflectors
- Push to Test Switch
- Maintenance free 6V, 4.5AH Sealed Lead-Acid Battery
- Fully automatic operation

Line Drawings:



Certifications:



| CAT NO | Housing Color | Options |
|--------|------------------------|----------------------------|
| EL2R | W (White) B (Black) | SDT (Self Diagnostic Test) |





Catalog#: EL2T6
HIGH OUTPUT, REMOTE CAPABLE EMERGENCY LIGHTS, 6V

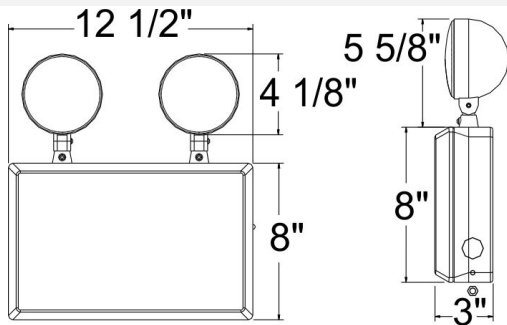
Category
Page

Emergency Lights
[E4](#)

Features:

- Dual-Voltage Input 120/277VAC Operation
- 90 Minutes Minimum Emergency Operation
- Injection Molded, 5VA Flame Retardant, High Impact, Thermoplastic Knockout on back of housing for wall mount
- Push to Test Switch
- Maintenance Free 6V Sealed Lead-Acid Battery
- Fully automatic operation

Line Drawings:



Certifications:



| Cat. No. | Voltage | Output | Lamp Wattage |
|----------|---------|--------|--------------|
| EL2T650 | 6V | 50W | 2 x 7.2W |
| EL2T6100 | 6V | 100W | 2 x 7.2W |





Catalog#: EL2T12
HIGH OUTPUT, REMOTE CAPABLE EMERGENCY LIGHTS

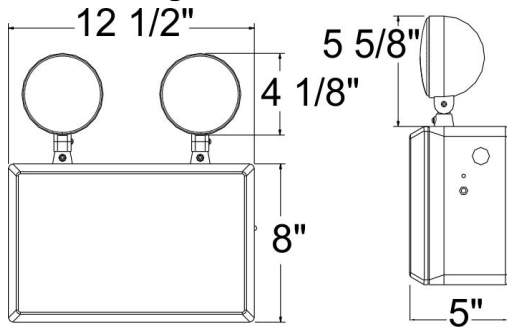
Category
Page

Emergency Lights
[E4](#)

Features:

- Dual-Voltage Input 120/277VAC Operation
- 90 Minutes Minimum Emergency Operation
- Injection Molded, 5VA Flame Retardant, High Impact, Thermoplastic Knockout on back of housing for wall mount
- Push to Test Switch
- Maintenance Free 6V Sealed Lead-Acid Battery
- Fully automatic operation

Line Drawings:



Certifications:



| Cat. No. | Voltage | Output | Lamp Wattage |
|-----------|---------|--------|--------------|
| EL2T1250 | 12V | 50W | 2 x 7.2W |
| EL2T12100 | 12V | 100W | 2 x 7.2W |





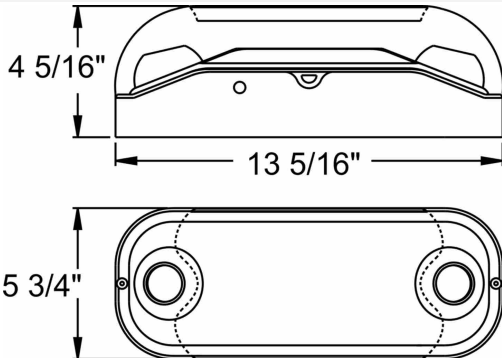
Catalog#: EL2H-WP
ADJUSTABLE WET LOCATION EMERGENCY LIGHT

Category Wet Location Emergency Lights
Page [E7](#)

Features:

- Dual-Voltage Input 120/277VAC Operation
- UL Listed for Wet Location
- Two fully adjustable, glare-free 6V, 7W MR16 Halogen Lamps
- 90 Minutes Minimum Emergency Operation
- Injection Molded, 5VA Flame Retardant, High Impact, Thermoplastic
- Universal Mounting Plate
- Surface wall mount only
- Push to Test Switch
- Maintenance free 6V, 4.5AH Sealed Lead-Acid Battery
- Fully automatic operation

Line Drawings:



Certifications:



| CAT NO | Housing Color |
|---------|------------------------|
| EL2H-WP | GY (Grey) B (Black) |





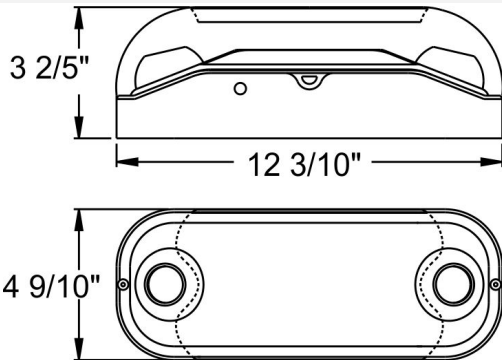
Catalog#: EL2H-WP-LED
ADJUSTABLE WET LOCATION LED EMERGENCY LIGHT

Category Wet Location Emergency Lights
Page [E7](#)

Features:

- Dual-Voltage Input 120/277VAC Operation
- UL Listed for Wet Location
- Long-lasting, Energy Saving ultra-bright LED Lamps
- 90 Minutes Minimum Emergency Operation
- Injection Molded, 5VA Flame Retardant, High Impact, Thermoplastic
- Fully adjustable, glare-free Heads
- Universal Mounting Plate with 1/2" Knockout in back
- Surface wall mount only
- Push to Test Switch
- Maintenance free 3.6V NiCd Battery
- Fully automatic operation

Line Drawings:



Certifications:



| CAT NO | Housing Color |
|-------------|------------------------|
| EL2H-WP-LED | GY (Grey) B (Black) |





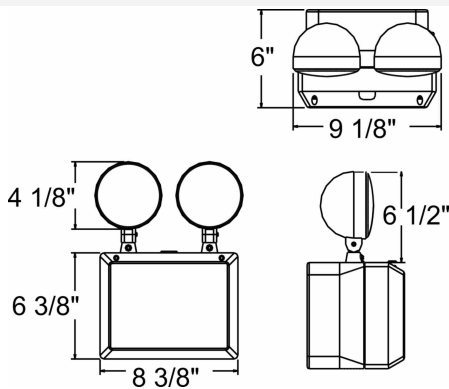
Catalog#: EL2TN4
REMOTE HEAD WET LOCATION EMERGENCY LIGHT

Category Wet Location Emergency Lights
Page [E6 8](#) (Exit & Emergency Lighting Catalog)

Features:

- Dual-Voltage Input 120/277VAC Operation
- UL Listed for Wet Location
- Suitable for cold weather **with heater option (-10°C ~ 40°C)**
- Two fully adjustable 6V 7.2W T5 Wedge Based Waterproof Lamp Heads
- 90 Minutes Minimum Emergency Operation
- Injection Molded, 5VA Flame Retardant, High Impact, Thermoplastic
- Fully Gasketed Corrosion-Resistant Enclosure
- Surface wall mount only
- Sealed Push-to-Test Switch
- White housing only
- Maintenance-free 6V, 10AH Sealed Lead-Acid Battery
- Fully automatic operation

Line Drawings:



Certifications:



| CAT NO | Options |
|--------|-----------------------|
| EL2TN4 | HTR (Internal Heater) |





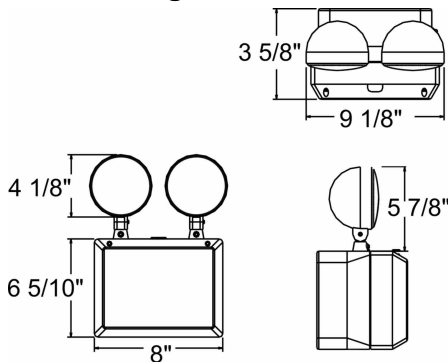
Catalog#: EL2TN4-LED
REMOTE HEAD WET LOCATION LED EMERGENCY LIGHT

Category Wet Location Emergency Light
Page [E6 8](#) (Exit & Emergency Lighting Catalog)

Features:

- Dual-Voltage Input 120/277VAC Operation
- UL Listed for Wet Location
- Suitable for cold weather (-10°C ~ 40°C)
- Two fully adjustable ultra-bright LED Lamp Heads
- 90 Minutes Minimum Emergency Operation
- Injection Molded, 5VA Flame Retardant, High Impact, Thermoplastic
- Fully Gasketed Corrosion-Resistant Enclosure
- Surface wall mount only, brackets included
- Sealed Push-to-Test Switch
- Maintenance-free 9.6V NiCd Battery
- Fully automatic operation

Line Drawings:



Certifications:



| CAT NO | Housing Color |
|------------|------------------------|
| EL2TN4-LED | B (Black) GY (Grey) |





Catalog#: EST
THIN LED EXIT SIGN

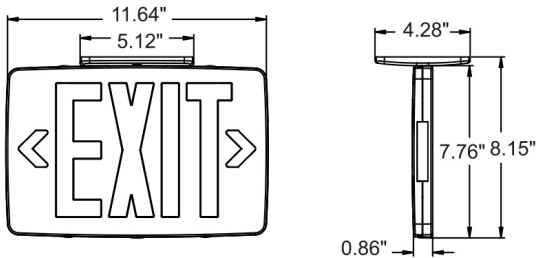
Category
Page

Exit Signs
[E9](#)

Features:

- Dual-Voltage Input 120/277VAC Operation
- UL Listed for Damp Location
- Long-lasting, Energy Saving LED Lamps
- 90 Minutes Minimum Emergency Operation
- Injection Molded, 5VA Flame Retardant, High Impact, Thermoplastic
- Universal Mounting Pattern
- Canopy for ceiling or end mounting included
- Available in either Single or Double-Face
- Easy Snap-out Chevrons Directional Indicators
- Extra Faceplate included for field conversion to Double-Face
- Push to Test Switch
- Maintenance free 1.2V NiCd Battery
- Fully automatic operation

Line Drawings:



Certifications:



| CAT NO | Housing Color | Letter Color | Operation |
|--------|------------------------|----------------------|--|
| EST | W (White) B (Black) | R (Red) G (Green) | EB (Battery Back-up) AC (AC Only) |





Catalog#: ESL
AC ONLY LED EXIT SIGN

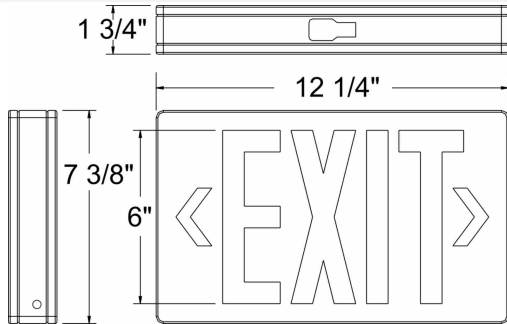
Category
Page

Emergency Lights
[E7](#)

Features:

- Dual-Voltage Input 120/277VAC Operation
- UL Listed for Damp Location
- Long-lasting, Energy Saving LED Lamps
- Injection Molded, 5VA Flame Retardant, High Impact, Thermoplastic
- Universal Mounting Plate
- Canopy for ceiling or end mounting included
- Easy Snap-out Chevrons Directional Indicators
- Extra Faceplate included for field conversion to Double-Face

Line Drawings:



Certifications:



| CAT NO | Housing Color | Letter Color |
|--------|------------------------|----------------------|
| ESL | W (White) B (Black) | R (Red) G (Green) |





Catalog#: ESBLM
LED EXIT SIGN WITH BATTERY BACK-UP

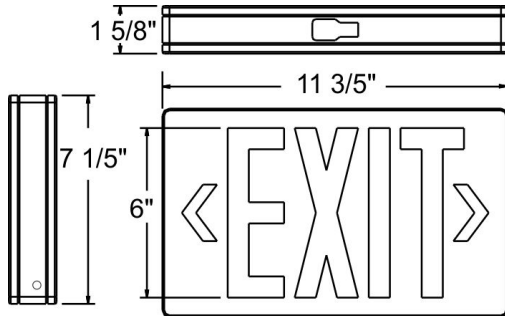
Category
Page

Emergency Lights
[E8](#)

Features:

- Dual-Voltage Input 120/277VAC Operation
- UL Listed for Damp Location
- Long-lasting, Energy Saving LED Lamps
- 90 Minutes Minimum Emergency Operation
- Injection Molded, 5VA Flame Retardant, High Impact, Thermoplastic
- Universal Mounting Plate
- Canopy for ceiling or end mounting included
- Easy Snap-out Chevrons Directional Indicators
- Extra Faceplate included for field conversion to Double-Face
- Push to Test Switch
- Maintenance free 2.4V NiCd Battery
- Fully automatic operation

Line Drawings:



Certifications:



| CAT NO | Housing Color | Letter Color |
|--------|------------------------|----------------------|
| ESBLM | W (White) B (Black) | R (Red) G (Green) |





Catalog#: ESL2C
THERMOPLASTIC DUAL CIRCUIT LED EXIT SIGN (AC/GENERATOR BACK-UP)

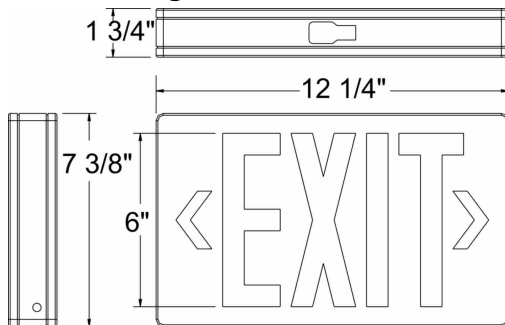
Category

Exit Signs

Features:

- Dual-Voltage Input 120/277VAC Operation
- UL Listed for Damp Location
- Long-lasting, Energy Saving LED Lamps
- Injection Molded, 5VA Flame Retardant, High Impact, Thermoplastic
- Universal Mounting Pattern
- Canopy for ceiling or end mounting included
- Easy Snap-out Chevrons Directional Indicators
- Extra Faceplate included for field conversion to Double-Face

Line Drawings:



Certifications:



| CAT NO | Housing Color | Letter Color | Options |
|--------|---------------|----------------------|--|
| ESL | W (White) | R (Red) G (Green) | 2C-120 (Dual-Circuit Op., 120V) 2C-277 (Dual-Circuit Op., 277V) |





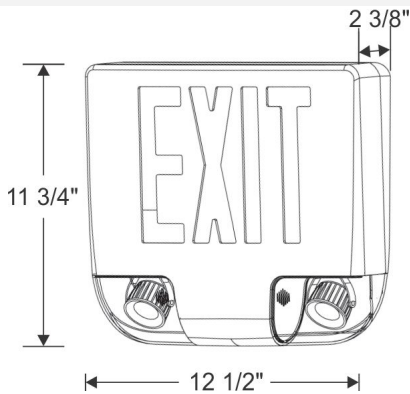
Catalog#: EESLA-LED
CAST ALUMINUM LED EMERGENCY LIGHT/EXIT SIGN COMBO UNIT WITH BATTERY BACK-UP

Category Exit Sign & Emergency Light Combo
Page [J14](#)

Features:

- Dual-Voltage Input 120/277VAC Operation
- UL Listed for Damp Location
- Long-lasting, Energy Saving LED Lamps
- Two high power, fully adjustable LED Lamp Heads (1.5W per lamp head)
- 90 Minutes Minimum Emergency Operation
- Heavy-Duty Premium Grade Aluminum Housing
- Universal Mounting Pattern
- Aluminum Canopy for ceiling or end mounting included
- Knockout Chevrons Directional Indicators
- Push to Test Switch
- Maintenance free 8.4V NiCd Battery
- Fully automatic operation

Line Drawings:



Certifications:



| CAT NO | Housing Color | Faceplate | No. of Faces | Letters Color |
|-----------|------------------------|--|--------------|----------------------|
| EESLA-LED | W (White) B (Black) | A (Aluminum) W (White) B (Black) | 1 2 | R (Red) G (Green) |





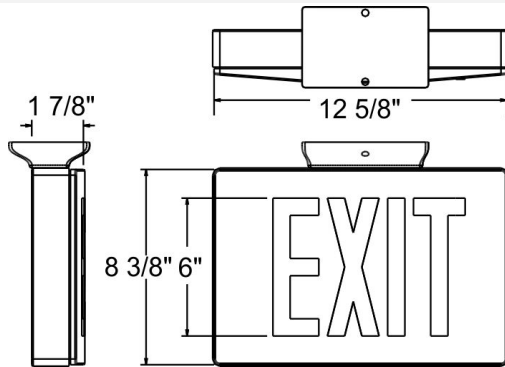
Catalog#: ESLA
CAST ALUMINUM LED EXIT SIGN

Category Emergency Lights
Page [E9](#)

Features:

- Dual-Voltage Input 120/277VAC Operation
- UL Listed for Damp Location
- 90 Minutes Minimum Emergency Operation (EB Only)
- Premium Grade Aluminum Housing
- Long-lasting, Energy Saving LED Lamps
- Universal Mounting Pattern
- Aluminum Canopy for ceiling or end mounting included
- Knockout Chevrons Directional Indicators
- Push to Test Switch
- Maintenance free 4.8V NiCd Battery (EB Only)
- Fully automatic operation (EB Only)

Line Drawings:



Certifications:



| CAT NO | Housing Color | Faceplate | No. of Faces | Letter Color | Operation | Options |
|--------|--|--|--------------|----------------------|--|--|
| ESLA | A (Aluminum) W (White) B (Black) | A (Aluminum) W (White) B (Black) | 1 2 | R (Red) G (Green) | EB (Battery Back-up) AC (AC Only) | SDT (Self Diagnostic Test) 2C (Dual-Circuit Operation) TP (Tamper-proof) |





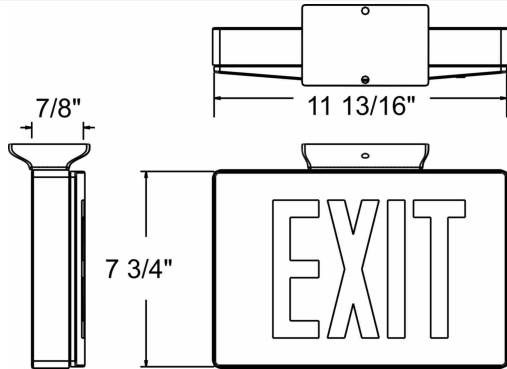
Catalog#: ESLAM
MICRO CAST ALUMINUM LED EXIT SIGN

Category Exit Signs
Page [F9 11](#) (Exit & Emergency Lighting Catalog)

Features:

- Dual-Voltage Input 120/277VAC Operation
- UL Listed for Damp Location
- Long-lasting, Energy Saving LED Lamps
- 90 Minutes Minimum Emergency Operation (**EB Only**)
- Premium Grade Aluminum Housing
- Universal Mounting Pattern
- Aluminum Canopy for ceiling or end mounting included
- Knockout Chevrons Directional Indicators
- Push to Test Switch
- Maintenance free 2.4V NiCd Battery (**EB Only**)
- Fully automatic operation (**EB Only**)

Line Drawings:



Certifications:



| CAT NO | Housing Color | Faceplate | No. of Faces | Letter Color |
|--------|---------------|--|----------------|----------------------|
| ESLAM | B (Black) | A (Aluminum) W (White) B (Black) | 1 (Blank) 2 | R (Red) G (Green) |





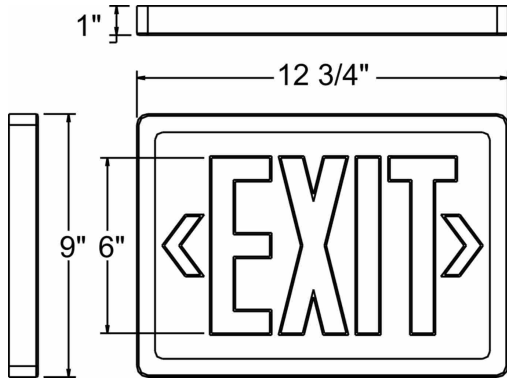
Catalog#: ESN
SELF-ILLUMINATING TRITIUM (NUCLEAR) EXIT SIGN

Category Exit Signs
Page [F10 12](#) (Exit & Emergency Lighting Catalog)

Features:

- Tritium-Powered Self-Illuminating
- Non-Electrical, Nuclear
- UL Listed for Wet Location
- Non-Radioactive and Non-Explosion Proof
- 10 Ft candles ambient lighting
- Rated viewing distance of 100 feet
- Surface Mount Bracket
- Letter-shaped light tubes for best lighting
- Field applied chevrons included

Line Drawings:



Certifications:



| CAT NO | Housing Color | Faceplate | No. of Faces | Life in Years |
|--------|------------------------|----------------------|--------------|---------------|
| ESN | W (White) B (Black) | R (Red) G (Green) | 1 2 | 10 20 |





Catalog#: ESRE
RECESSED MOUNT EDGE-LIT LED EXIT SIGN

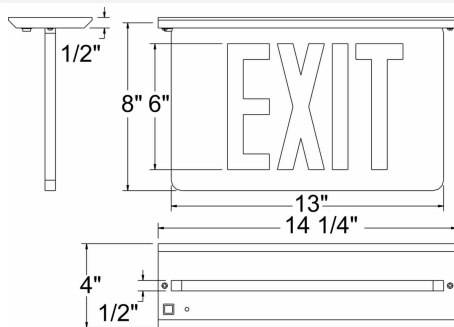
Category
 Page

Exit Signs
[J11](#)

Features:

- Dual-Voltage Input 120/277VAC Operation
- UL Listed for Damp Location
- Long-lasting, Energy Saving LED Lamps
- 90 Minutes Minimum Emergency Operation (**EB Only**)
- Premium Grade Extruded Aluminum Housing
- Adjustable Bar Hanger up to 24" for Recessed Mount
- Field applied Chevrons Included
- UV Stabilized ultra clear acrylic Edge Lit Panel
- Mirror divider on double face versions
- Single Face Panels are **Clear**, Double Face Panels are **Opaque**
- Push to Test Switch
- Maintenance free 4.8V NiCd Battery (**EB Only**)
- Fully automatic operation (**EB Only**)

Line Drawings:



Certifications:



| CAT NO | Casing Color | No. of Faces | Letter Color | Operation | Options |
|--------|--------------|--------------|--------------|---|--|
| ESRE | W (White) | 1 2 | G (Green) | EB (Battery Back-up) AC (AC Only) Blank (If 2C) | SDT (Self Diagnostic Test) 2C-120 (Dual-Circuit Op., 120V) 2C-277 (Dual-Circuit Op., 277V) |





Catalog#: ESSE
SURFACE MOUNT EDGE-LIT LED EXIT SIGN

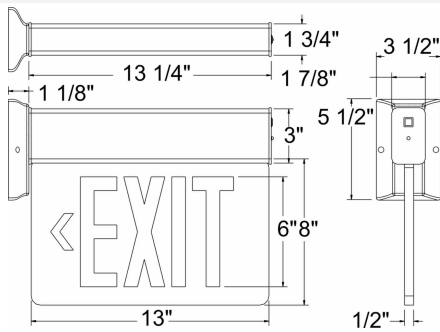
Category
 Page

Exit Signs
[J11](#)

Features:

- Dual-Voltage Input 120/277VAC Operation
- UL Listed for Damp Location
- Long-lasting, Energy Saving LED Lamps
- 90 Minutes Minimum Emergency Operation (**EB Only**)
- Premium Grade Extruded Aluminum Housing
- Aluminum Canopy for wall, ceiling or end mounting included
- Field applied Chevrons Included
- UV Stabilized ultra clear acrylic Edge Lit Panel
- Mirror divider on double face versions
- Single Face Panels are **Clear**, Double Face Panels are **Opaque**
- Push to Test Switch
- Maintenance free 6V, 2.3AH Sealed Lead-Acid Battery (**EB Only**)
- Fully automatic operation (**EB Only**)

Line Drawings:



Certifications:



| CAT NO | Casing Color | No. of Faces | Letter Color | Operation | Options |
|--------|--------------|--------------|----------------------|---|--|
| ESSE | A (Aluminum) | 1 2 | R (Red) G (Green) | EB (Battery Back-up) AC (AC Only) Blank (If 2C) | SDT (Self Diagnostic Test) 2C-120 (Dual-Circuit Op., 120V) 2C-277 (Dual-Circuit Op., 277V) |





Catalog#: EECMPL

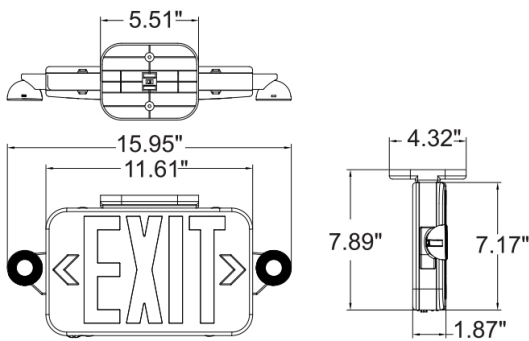
MICRO LED EMERGENCY LIGHT/EXIT SIGN COMBO UNIT WITH BATTERY BACK-UP

Category Exit Sign & Emergency Light Combo
Page [14](#) (Exit & Emergency Lighting Catalog)

Features:

- Dual-Voltage Input 120/277VAC Operation
- UL Listed for Damp Location
- Long-lasting, Energy Saving LED Lamps
- 90 Minutes Minimum Emergency Operation
- Injection-Molded, 5VA Flame Retardant, High Impact, Thermoplastic
- Round Fully adjustable LED Lamp Heads packaged inside Exit Sign Housing for petite packaging
- Universal Mounting Pattern
- Canopy for ceiling mounting included
- Easy Snap-out Chevrons Directional Indicators
- Extra Faceplated included for field conversion to Double-Face
- LED indicator light alerts occupant of battery level
- Push to Test Switch
- Maintenance free 3.6V, NiCd Battery
- Fully automatic operation

Line Drawings:



Certifications:



| CAT NO | Housing Color | Letter Color | Options |
|--------|------------------------|----------------------|----------------------|
| EECMPL | W (White) B (Black) | R (Red) G (Green) | RC (Remote Capacity) |





Catalog#: EECLM-LED
MICRO LED EMERGENCY LIGHT/EXIT SIGN COMBINATION UNIT WITH BATTERY BACK-UP

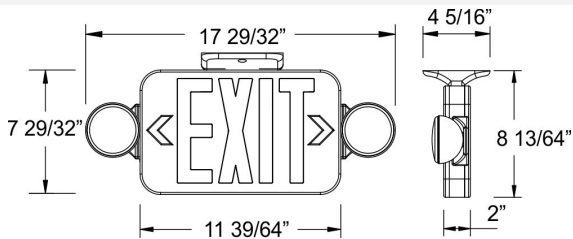
Category
Page

Emergency Lights
[E13](#)

Features:

- Dual-Voltage Input 120/277VAC Operation
- UL Listed for Damp Location
- Long-lasting, Energy Saving LED Lamps
- 90 Minutes Minimum Emergency Operation
- Injection Molded, 5VA Flame Retardant, High Impact, Thermoplastic
- Fully adjustable LED Lamp Heads
- Universal Mounting Plate
- Canopy for ceiling or end mounting included
- Easy Sanp-out Chevrons Directional Indicators
- Extra Faceplate included for field conversion to Double-Face
- Push to Test Switch
- Maintenance free 6V, 4.5AH Sealed Lead-Acid Battery
- Fully automatic operation

Line Drawings:



Certifications:



| CAT NO | Housing Color | Letters Color |
|-----------|------------------------|----------------------|
| EECLM-LED | W (White) B (Black) | R (Red) G (Green) |





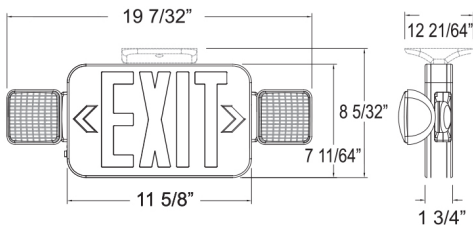
Catalog#: EECLMS
MICRO LED EMERGENCY LIGHT/EXIT SIGN COMBO UNIT WITH BATTERY BACK-UP

Category Exit Signs & Emergency Light Combo
Page [F15](#)

Features:

- Dual-Voltage Input 120/277VAC Operation
- UL Listed for Damp Location
- Long-lasting, Energy Saving LED Lamps
- 90 Minutes Minimum Emergency Operation
- Injection-Molded, 5VA Flame Retardant, High Impact, Thermoplastic
- Fully adjustable Square LED Lamp Heads
- Universal Mounting Pattern
- Canopy for ceiling mounting including
- Easy Snap-out Chevrons Directional Indicators
- Extra Faceplate included for field conversion to Double-Face
- Push to Test Switch
- Maintenance free 3.6V, NiCd Battery
- Fully automatic operation

Line Drawings:



Certifications:



| CAT NO | Housing Color | Letter Color | Options |
|--------|------------------------|----------------------|----------------------|
| EECLMS | W (White) B (Black) | R (Red) G (Green) | RC (Remote Capacity) |





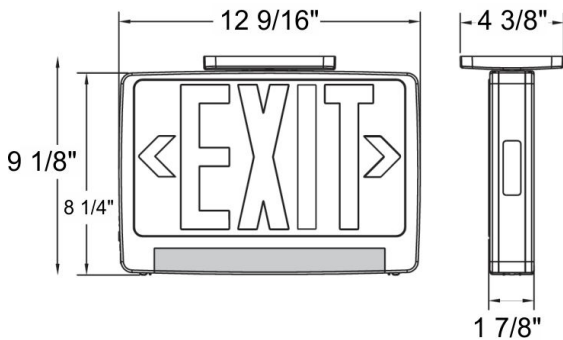
Catalog#: EECLP-LED
LED TUBE EMERGENCY LIGHT/EXIT SIGN COMBO UNIT WITH BATTERY BACK-UP

Category Exit Sign & Emergency Light Combo
Page [F15](#)

Features:

- Dual-Voltage Input 120/277VAC Operation
- UL Listed for Damp Location
- Long-lasting, Energy Saving LED Lamps
- Adjustable LED Emergency Light beneath Exit Sign
- 90 Minutes Minimum Emergency Operation
- Injection Molded, 5VA Flame Retardant, High Impact, Thermoplastic
- Universal Mounting Pattern
- Canopy for ceiling or end mounting included
- Easy Snap-out Chevrons Directional Indicators
- Extra Faceplate included for field conversion to Double-Face
- Push to Test Switch
- Two maintenance free 4.8 NiCd Batteries
- Fully automatic operation
- Remote Capable for up to 2 additional Lamp Heads

Line Drawings:



Certifications:



| CAT NO | Housing Color | Letter Color | Options |
|-----------|------------------------|----------------------|----------------------------|
| EECLP-LED | W (White) B (Black) | R (Red) G (Green) | SDT (Self Diagnostic Test) |





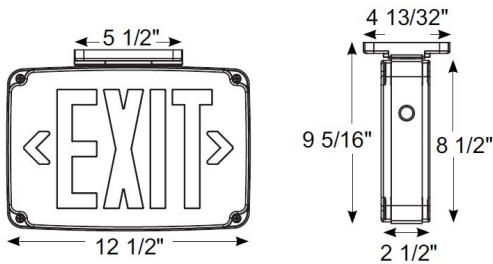
Catalog#: ESLN4M
MICRO WET LOCATION LED EXIT SIGN

Category Exit Sign & Emergency Light Combo
Page [J15](#)

Features:

- Dual-Voltage Input 120/277VAC Operation
- UL Listed for Wet Location (-10°C ~ 40°C)
- Long-lasting, Energy Saving LED Lamps
- 90 Minutes Minimum Emergency Operation (**EB Only**)
- Injection Molded, 5VA Flame Retardant, High Impact, Thermoplastic
- Fully Gasketed Corrosion-Resistant Enclosure
- High-Impact Clear Polycarbonate Lens
- Universal Mounting Plate
- Canopy for ceiling or end mounting included
- Easy Snap-out Chevrons Directional Indicators
- Sealed Push-to-Test Switch
- Maintenance-free 6V NiCd Battery (**EB Only**)
- Fully automatic operation (**EB Only**)

Line Drawings:



Certifications:



| CAT NO | Housing Color | No. of Faces | Letter Color | Operation | Options |
|--------|---------------|--------------|--------------|---|--|
| ESLN4M | W (White) | 1 2 | R(Red) | EB (Battery Back-up) AC (AC Only) Blank (If 2C) | SDT (Self Diagnostic Test) 2C-120 (Dual-Circuit Op., 120V) 2C-277 (Dual-Circuit Op., 277V) |





Catalog#: ESBL2L

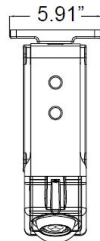
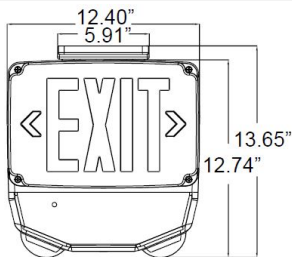
WET LOCATION LED EMERGENCY LIGHT/EXIT SIGN COMBO UNIT WITH BATTERY BACK-UP

Category Exit Sign & Emergency Light Combo

Features:

- Dual-Voltage Input 120/277VAC Operation
- UL Listed for Wet Location
- Suitable for Cold Weather with heater option (-20°C ~ 50°C)
- Long-lasting, Energy Saving LED Lamps
- Two 3.6W adjustable Waterproof LED Bulbs
- 90 Minutes Minimum Emergency Operation
- Injection Molded, 5VA Flame Retardant, Polycarbonate
- Fully Gasketed Corrosion-Resistant Enclosure
- High-Impact UV Resistant, Polycarbonate Lens
- Universal Mounting Plate for wall mounting
- Canopy for ceiling or end mounting included
- Easy Snap-out Chevrons Directional Indicators
- LED indicator light showing battery condition (Green= Normal, Red= Check)
- Maintenance-free 6V NiCd Battery
- Fully automatic operation

Line Drawings:



Certifications:



| CAT NO | Housing Color | No. of Faces | Letter Color | Options |
|--------|-------------------------------------|--------------|--------------------|---|
| ESBL2L | W (White) B (Black) GY (Grey) | 1 2 | R(Red) G(Green) | SDT (Self Diagnostic Test) RC (Remote Capable) TP (Tamper-Proof) HTR (Internal Heater) |



SPECIFICATION & FEATURES

DESCRIPTION:

Orbit's CESL is a Chicago-Approved Exit Sign. A variety of arrow configurations, face options, housing colors and possible mounting options are available. The CESL features a durable 20-Gauge steel housing, long-lasting LED lamps and a stylish white finish making it the ideal Exit Sign for general commercial applications.

CERTIFICATION:



UL Listed for Damp Location

FEATURES:

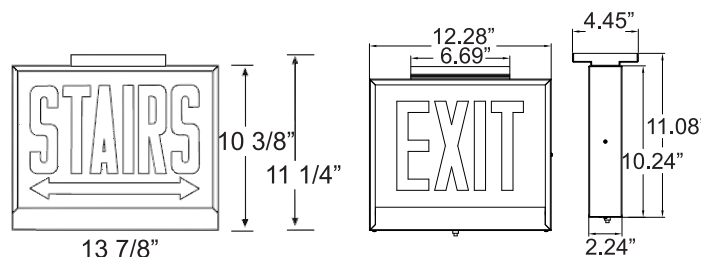
- Dual-Voltage Input 120/277VAC Operation
- Long-lasting, Energy Saving LED Lamps
- Minimum 120 Minutes Emergency Operation
- Durable 20-Gauge Steel Housing
- Universal Mounting Pattern
- Canopy for ceiling or end mounting included
- Available in Single- or Double-Face
- White Finish Only
- Power "ON" LED indicator Light and LED Push-to-Test Switch
- Maintenance-free 4.8V NiCd Battery (EB Only)
- Fully automatic operation (EB Only)

CHICAGO APPROVED LED EXIT SIGN



Product Shown CESL-W-1-EB-E-N

LINE DRAWINGS:

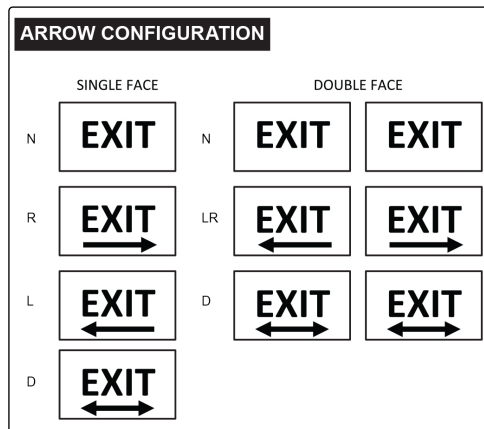


CONFIGURATION DATA:

| Cat. No. | Housing Color | No. of Faces | Operation | Legend | Arrow Config. |
|----------|---------------|--------------|----------------------|------------|-------------------------|
| CESL | W (White) | 1 | EB (Battery Back-up) | E (Exit) | N (No Arrows) |
| | B (Black) | 2 | AC (AC Only) | S (Stairs) | D (Double Arrows) |
| | | | | | LR (Left/Right Arrow)** |
| | | | | | L (Left Arrow)* |
| | | | | | R (Right Arrow)* |

*For Single face units only

**For double-face units, that need to point in the same direction (left/right) from both sides



SPECIFICATION & FEATURES

CHICAGO APPROVED EDGE-LIT SURFACE MOUNT LED EXIT SIGN

DESCRIPTION:

Orbit's CESSE is a Chicago-Approved Edge-Lit Surface Mount Exit Sign. A variety of arrow configurations, face options and casing colors are available. An Aluminum canopy is included for wall, ceiling or end mounting options. A durable extruded aluminum housing and long-lasting LED lamps make the CESSE ideal for commercial applications.



Product Shown CESSE-A-1-EB-E-N

CERTIFICATION:

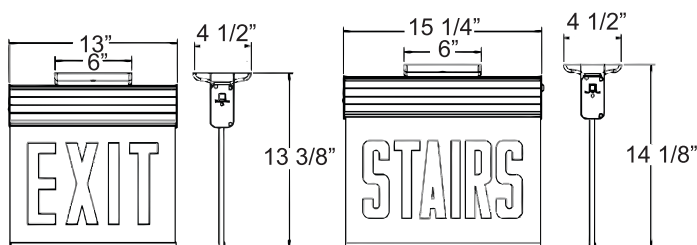


UL Listed for Damp Location

FEATURES:

- Dual-Voltage Input 120/277VAC Operation
- Long-lasting, Energy Saving LED Lamps
- Minimum 120 Minutes Emergency Operation
- Premium Grade Extruded Aluminum Housing
- Aluminum Canopy for wall, ceiling or end mounting included
- UV stabilized ultra clear acrylic edge lit panel
- Single-Face Panels are Clear, Double-Face Panels are Opaque
- Power "ON" LED indicator Light and LED Push-to-Test Switch
- Maintenance-free 4.8V NiCd Battery (EB Only)
- Fully automatic operation (EB Only)

LINE DRAWINGS:

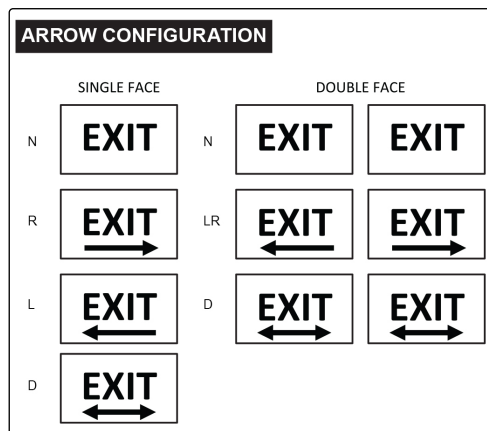


CONFIGURATION DATA:

| Cat. No. | Casing Color | No. of Faces | Operation | Legend | Arrow Config. |
|----------|--------------|--------------|----------------------|------------|---|
| CESSE | A (Aluminum) | 1 | EB (Battery Back-up) | E (Exit) | N (No Arrows) D (Double Arrows) LR (Left/Right Arrow)** |
| | W (White) | 2 | AC (AC Only) | S (Stairs) | L (Left Arrow)* R (Right Arrow)* |

*For Single face units only

**For double-face units, that need to point in the same direction (left/right) from both sides



SPECIFICATION & FEATURES

CHICAGO APPROVED EDGE-LIT RECESSED MOUNT LED EXIT SIGN

DESCRIPTION:

Orbit's CESRE is a Chicago-Approved Edge-Lit Recessed Mount Exit Sign. A variety of arrow configurations, face options and casing colors are available. The CESRE is compatible with drywall or drop-through ceiling mount installations and features an easily detachable trim for accessible service and maintenance. Durable extruded aluminum housing and long-lasting LED Lamps make the CESRE ideal for commercial applications. Wall Mounting option also available.



Product Shown CESRE-W-1-EB-E-N

CERTIFICATION:

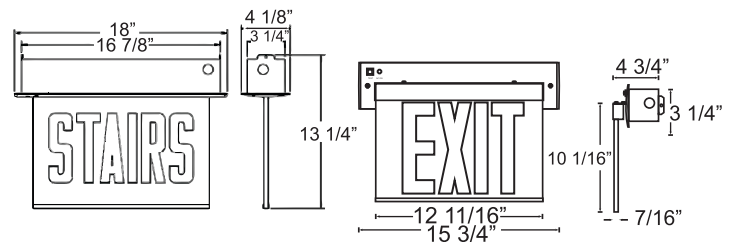


UL Listed for Damp Location

FEATURES:

- Dual-Voltage Input 120/277VAC Operation
- Long-lasting, Energy Saving LED Lamps
- Minimum 120 Minutes Emergency Operation
- Premium Grade Extruded Aluminum Housing
- Trim easily detaches for accessible service and maintenance
- Compatible with drywall or drop-through ceiling mount installations
- Wall Mount Optional
- UV stabilized ultra clear acrylic edge lit panel
- Single-Face Panels are Clear, Double-Face Panels are Opaque
- Power "ON" LED indicator Light and LED Push-to-Test Switch
- Maintenance-free 4.8V NiCd Battery (EB Only)
- Fully automatic operation (EB Only)

LINE DRAWINGS:

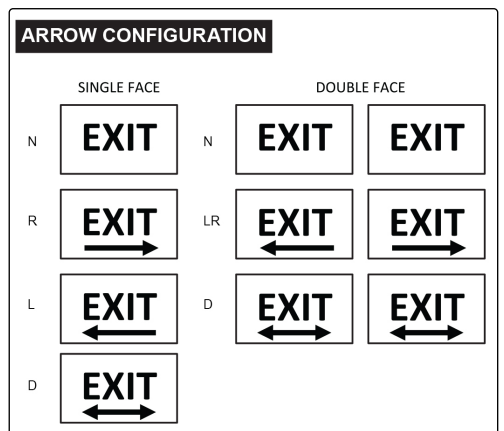


CONFIGURATION DATA:

| Cat. No. | Casing Color | No. of Faces | Operation | Legend | Arrow Config. | Options |
|----------|--------------|--------------|----------------------|------------|---|----------------|
| CESRE | A (Aluminum) | 1 | EB (Battery Back-up) | E (Exit) | N (No Arrows) | W (Wall Mount) |
| | W (White) | 2 | AC (AC Only) | S (Stairs) | D (Double Arrows) LR (Left/Right Arrow)** L (Left Arrow)* R (Right Arrow)* | |

*For Single face units only

**For double-face units, that need to point in the same direction (left/right) from both sides



SPECIFICATION & FEATURES

CHICAGO APPROVED STEEL EMERGENCY LIGHT

DESCRIPTION:

Orbit's CEL2 is a Chicago-Approved Steel Emergency Light. The CEL2 features a durable steel construction and is remote capable on 50W and 100W models.

CERTIFICATION:



UL Listed for Damp Location

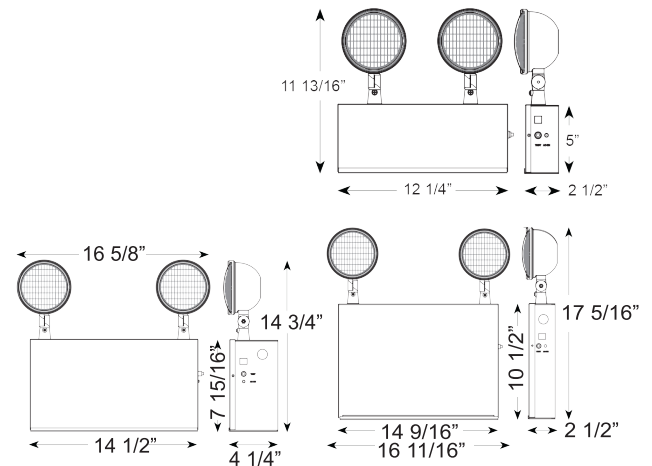


Product Shown CEL2-W-627

FEATURES:

- Dual-Voltage Input 120/277VAC Operation
- Two fully adjustable glare-free 6V 12W Bi-pin Halogen Lamp Heads
- Minimum 120 Minutes Emergency Operation
- Durable 20-gauge Steel Construction
- Universal Mounting Plate
- Knockouts on top and side for conduit feed applications
- Push-to-Test Switch
- Maintenance-free 6V Sealed Lead-Acid Rechargeable Battery
- Fully automatic operation
- Remote Capable on 50W and 100W models

LINE DRAWINGS:



CONFIGURATION DATA:

| Cat. No. | Housing Color | Voltage | Wattage |
|----------|------------------------|--------------|-------------|
| CEL2 | W (White) B (Black) | 627 (6V,27W) | Blank (27W) |
| | | 6V | 50 (50W) |
| | | 12V | 100 (100W) |





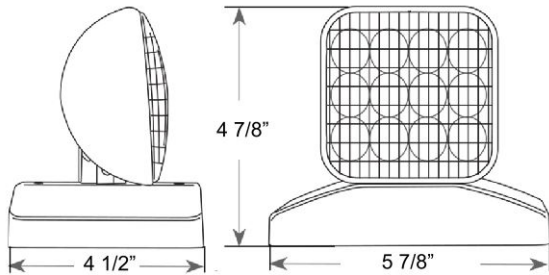
Catalog#: LRHS-1
SQUARE LED REMOTE HEAD, 1-HEAD

Category EXIT & EMERGENCY

Features:

- Adjustable heads to increase center-to-center spacing
- Mounting hardware included
- Suitable for ceiling or end Mounting

Line Drawings:



| CAT NO | No. of Heads | Voltage | Housing Color | Wattage |
|--------|--------------|----------------------------------|--------------------------------------|---|
| LRHS | 1 | MV (3.6V, 6V, 9.6V & 12V) | W (White) B (Black) | Blank (1W per Head) HO (1.5W per Head) |





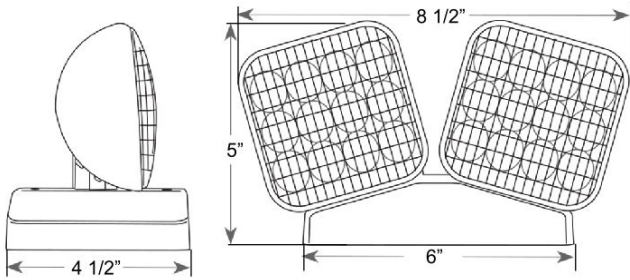
Catalog#: LRHS-2
SQUARE LED REMOTE HEAD, 2-HEAD

Category EXIT & EMERGENCY

Features:

- Adjustable heads to increase center-to-center spacing
- Mounting hardware included
- Suitable for ceiling or end Mounting

Line Drawings:



| CAT NO | No. of Heads | Voltage | Housing Color | Wattage |
|--------|--------------|----------------------------------|--------------------------------------|---|
| LRHS | 2 | MV (3.6V, 6V, 9.6V & 12V) | W (White) B (Black) | Blank (1W per Head) HO (1.5W per Head) |





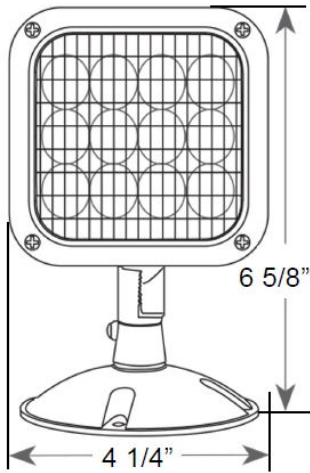
Catalog#: LRHS-WP-1
OUTDOOR SQUARE LED REMOTE HEAD, 1-HEAD

Category EXIT & EMERGENCY

Features:

- Adjustable heads to increase center-to-center spacing
- Mounting hardware included
- Suitable for ceiling or end Mounting

Line Drawings:



| CAT NO | No. of Heads | Voltage | Housing Color | Wattage |
|---------|--------------|----------------------------------|--------------------------------------|---|
| LRHS-WP | 1 | MV (3.6V, 6V, 9.6V & 12V) | GY (Grey) B (Black) | Blank (1W per Head) HO (1.5W per Head) |





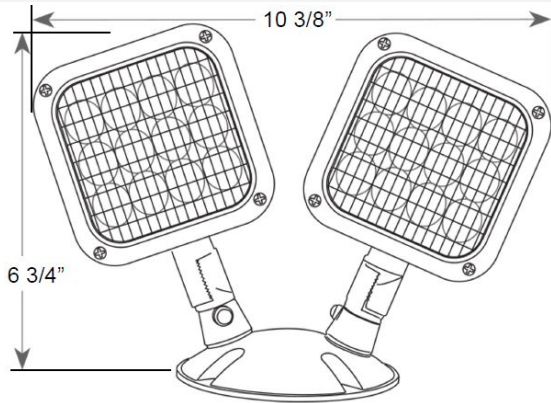
Catalog#: LRHS-WP-2
OUTDOOR SQUARE LED REMOTE HEAD, 2-HEAD

Category EXIT & EMERGENCY

Features:

- Adjustable heads to increase center-to-center spacing
- Mounting hardware included
- Suitable for ceiling or end Mounting

Line Drawings:



| CAT NO | No. of Heads | Voltage | Housing Color | Wattage |
|---------|--------------|----------------------------------|--------------------------------------|---|
| LRHS-WP | 2 | MV (3.6V, 6V, 9.6V & 12V) | GY (Grey) B (Black) | Blank (1W per Head) HO (1.5W per Head) |





Catalog#: RH36WP-2
DOUBLE W/P EMERG. REMOTE HEAD

| | |
|-----------------|---------------------|
| Category | EXIT & EMERGENCY |
| Page | F21 |
| Barcode | 6-15624-87288-1 |

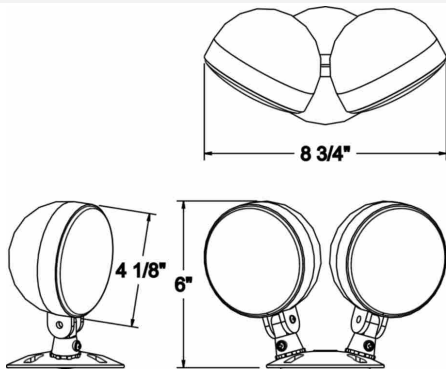
Features:

| | |
|--------------|------|
| No. of Heads | 2 |
| Voltage | 6V |
| Wattage | 7.2W |

Packaging Info:

| | |
|---------|------|
| Std Pkg | 1 |
| Weight | 2.25 |

Line Drawings:





Catalog#: PCS-D
POLYCARBONATE SHEILD FOR EMER. LIGHT

Category EXIT & EMERGENCY
Page [F22](#)
Barcode 6-15624-87274-4

Dimensions:

Width 18 - 1/2"
 Height 14"
 Depth 6"

Description:

Polycarbonate Vandal/Environmental Dome Shield

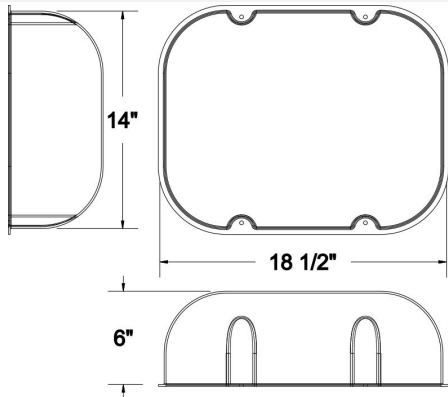
Specifications:

Color Clear

Packaging Info:

Std Pkg 1
 Weight 12.375

Line Drawings:





Catalog#: PCS-R
POLYCARBONATE CLEAR SHEILD FOR EXIT

Category EXIT & EMERGENCY
Page [F22](#)
Barcode 6-15624-87273-7

Dimensions:

Width 15"
Height 13"
Depth 3"

Description

Polycarbonate Vandal/Environmental Rectangular Shield

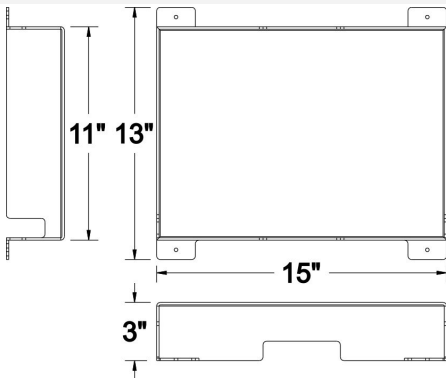
Specifications:

Color Clear

Packaging Info:

Std Pkg 1
Weight 8.75

Line Drawings:





Catalog#: WG-15
WIRE GUARD FOR EXIT OR EMERGENCY LIGHT

Category EXIT & EMERGENCY
Page [F22](#)
Barcode 6-15624-87275-1

Dimensions:

Width 15"
 Height 13"
 Depth 6"

Description:

15" Wire Guard Covers most Emergency Units

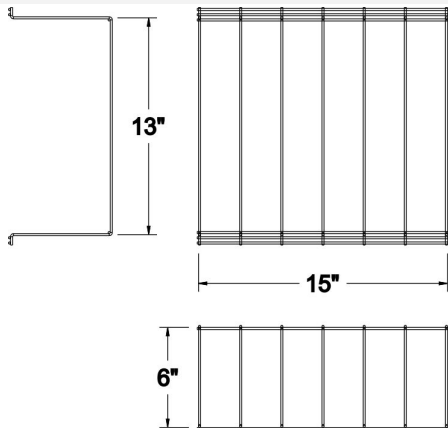
Specifications:

Color Stainless Steel

Packaging Info:

Std Pkg 1
 Weight 1.55

Line Drawings:





Catalog#: WG-30
WIRE GUARD FOR EXIT/EMERGENCY COMBO

Category EXIT & EMERGENCY
Page [F22](#)
Barcode 6-15624-87276-8

Dimensions:

Width 30"
Height 13"
Depth 6"

Description:

30" Wire Guard Covers most Exits & Combo Units

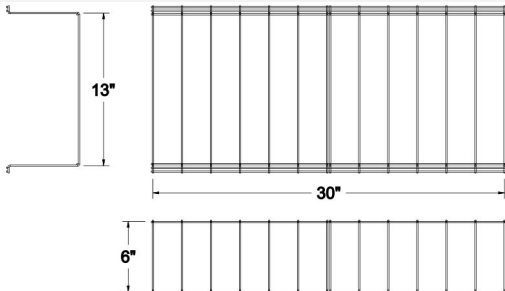
Specifications:

Color Stainless Steel

Packaging Info:

Std Pkg 1
Weight 3.16

Line Drawings:





Catalog#: BAL500
EMERG. BALLAST 500 MAX LUMENS

Category Line Voltage
Page [F23](#), [H38](#), [25](#) (Exit & Emergency Lighting Catalog)
Barcode 6-15624-87264-5

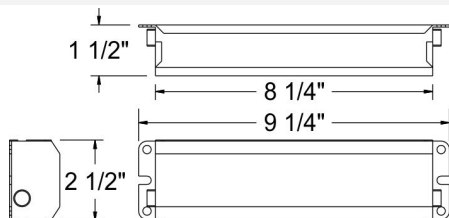
Features:

- Dual-Voltage Input 120/277VAC Operation
- UL Listed for Damp Location (0°C ~50°C)
- Two rate charger initiates battery charging to recharge an empty battery in 24 hours
- 90 Minutes Minimum Emergency Operation
- Suitable for installation inside, on top or in remote of the fixture
- Battery, Charger and Inverter Circuit included
- 2.4V long life, maintenance-free, rechargeable sealed NiCd battery
- White finish
- Compatible with most One-, Two-, Three-, and Four-Lamp Electronic Standard and Dimming AC Ballasts
- Operates one T5, T5HO, T8, T12, Circular T5/T9, U-bend T8/T12, 4-Pin CFL and long CFL lamp in emergency mode.

Lamp Compatibility Chart:

| LAMP TYPE | WATTS | INITIAL LUMENS | LAMP TYPE | WATTS | INITIAL LUMENS | LAMP TYPE | WATTS | INITIAL LUMENS |
|-----------|-------|----------------|-----------|-------|----------------|-------------|-------|----------------|
| | | 1-Lamp | | | 1-Lamp | | | 1-Lamp |
| T5 | 21 | 450 | T8 | 32 | 500 | Circular T9 | 20 | 325 |
| T5 | 28 | 500 | T12 | 25 | 400 | Circular T9 | 32 | 350 |
| T5HO | 24 | 475 | T12 | 30 | 425 | Circular T5 | 22 | 375 |
| T8 | 25 | 375 | T12 | 34 | 450 | U-Bend T8 | 32 | 425 |
| T8 | 28 | 425 | CFL 2G11 | 36 | 375 | U-Bend T12 | 34 | 375 |

Line Drawings:



Packaging Info:

Std Pkg 1

Certification:





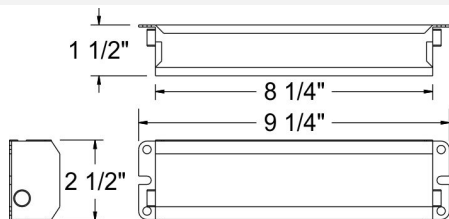
Catalog#: BAL650C-2PIN
EMERG. BALLAST 650 LUMENS RECESS 2-PIN

| | |
|-----------------|--|
| Category | Line Voltage |
| Page | F23 , H38 , 25 (Exit & Emergency Lighting Catalog) |
| Barcode | 6-15624-87263-8 |

Features:

- Dual-Voltage Input 120/277VAC Operation
- UL Listed for Damp Location (0°C ~50°C)
- Two rate charger initiates battery charging to recharge an empty battery in 24 hours
- 90 Minutes Minimum Emergency Operation
- Suitable for installation inside, on top or in remote of the fixture
- Battery, Charger and Inverter Circuit included
- 3.6V long life, maintenance-free, rechargeable sealed NiCd battery
- White finish
- Compatible with most One-, Two-, Three-, and Four-Lamp Electronic Standard and Dimming AC Ballasts
- Operates one 13W-26W, 2-pin compact fluorescent lamps with GX23 and G24D bases

Line Drawings:



Packaging Info:

Std Pkg 1

Certification:





Catalog#: BAL650C-4PIN
EMERG. BALLAST 650 LUMENS RECESS 4-PIN

Category Line Voltage
Page [F23](#), [H38](#), [25](#) (Exit & Emergency Lighting Catalog)
Barcode 6-15624-87318-5

Features:

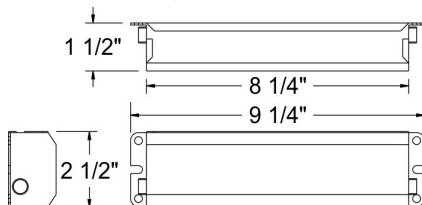
- Dual-Voltage Input 120/277VAC Operation
- UL Listed for Damp Location (0°C ~50°C)
- Two rate charger initiates battery charging to recharge an empty battery in 24 hours
- 90 Minutes Minimum Emergency Operation
- Suitable for installation inside, on top or in remote of the fixture
- Battery, Charger and Inverter Circuit included
- 3.6V long life, maintenance-free, rechargeable sealed NiCd battery
- White finish
- Compatible with most One-, Two-, Three-, and Four-Lamp Electronic Standard and Dimming AC Ballasts
- Operates one or two T5, T5HO, T8, T12, Circular T9, U-bend T8/T12, 4-Pin CFL and long CFL lamp in emergency mode.

Lamp Compatibility Chart:

| WATTS | LAMP TYPE | INITIAL LUMENS | | WATTS | LAMP TYPE | INITIAL LUMENS | | WATTS | LAMP TYPE | INITIAL LUMENS | |
|-------|-----------|----------------|--------|-------|------------|----------------|--------|-------|-------------|----------------|--------|
| | | 1-LAMP | 2-LAMP | | | 1-LAMP | 2-LAMP | | | 1-LAMP | 2-LAMP |
| 14 | T5 | 450 | 500 | 40 | T8 | 700 | - | 36 | CFL 2G11 | 600 | - |
| 21 | T5 | 550 | - | 40 | T12 | 650 | - | 40 | CFL 2G11 | 650 | - |
| 28 | T5 | 600 | - | 13 | CFL G24q-1 | 450 | 500 | 32 | Circular T9 | 575 | - |
| 39 | T5HO | 650 | - | 18 | CFL G24q-2 | 500 | 575 | 40 | Circular T9 | 625 | - |
| 25 | T8 | 600 | - | 26 | CFL G24q-3 | 575 | - | 32 | U-bend T8 | 650 | - |
| 32 | T8 | 675 | - | 42 | CFL G24q-4 | 750 | - | 34 | U-bend T12 | 600 | - |
| | | | | 18 | CFL 2G11 | 525 | 625 | | | | |

NOTE: In 2-lamp operation, lumens are equally split between the two lamps.

Line Drawings:



Packaging Info:

Std Pkg 1

Certification:





Catalog#: BAL700
EMERG. BALLAST 700 LUMENS

Category Line Voltage
Page [F24](#), [H39](#), [26](#) (Exit & Emergency Lighting Catalog)
Barcode 6-15624-87265-2

Features:

- Dual-Voltage Input 120/277VAC Operation
- UL Listed for Damp Location (0°C ~50°C)
- Two rate charger initiates battery charging to recharge an empty battery in 24 hours
- 90 Minutes Minimum Emergency Operation
- Suitable for installation inside, on top or in remote of the fixture
- Battery, Charger and Inverter Circuit included. White finish
- 3.6V long life, maintenance-free, rechargeable sealed NiCd battery
- Compatible with most One-, Two-, Three-, and Four-Lamp Electronic Standard and Dimming AC Ballasts
- Operates one or two T5, T5HO, T8, T12, T8HO, T12HO, Circular T5/T9, U-bend T8/T12, 4-Pin CFL and long CFL lamp in emergency mode

Lamp Compatibility Chart:

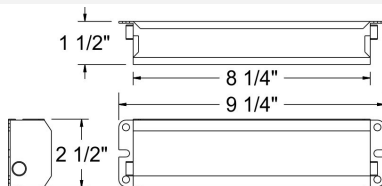
| LAMP TYPE | WATTS | INITIAL LUMENS | |
|-----------|-------|----------------|--------|
| | | 1-Lamp | 2-Lamp |
| T5 | 21 | 575 | 650 |
| T5 | 28 | 675 | n/a |
| T5 | 35 | 700 | n/a |
| T5HO | 24 | 650 | n/a |
| T5HO | 39 | 700 | n/a |
| T5HO | 54 | 700 | n/a |
| T8 | 25 | 625 | 700 |
| T8 | 28 | 630 | 600 |
| T8 | 32 | 600 | 700 |
| T8 | 40 | 650 | 700 |
| T8HO | 44 | 625 | n/a |
| T8 | 51 | 675 | n/a |
| T8 | 59 | 700 | n/a |

| LAMP TYPE | WATTS | INITIAL LUMENS | |
|------------|-------|----------------|--------|
| | | 1-Lamp | 2-Lamp |
| T8HO | 86 | 700 | n/a |
| T12 | 25 | 450 | 500 |
| T12 | 30 | 500 | 550 |
| T12 | 34 | 575 | 600 |
| T12 | 40 | 625 | 650 |
| T12 | 75 | 675 | n/a |
| T12 | 85 | 700 | n/a |
| T12HO | 95 | 700 | n/a |
| T12HO | 110 | 700 | n/a |
| CFL G24Q-5 | 57 | 675 | n/a |
| CFL 2G11 | 36 | 600 | 700 |
| CFL 2G11 | 40 | 625 | n/a |
| CFL 2G11 | 50 | 650 | n/a |

| LAMP TYPE | WATTS | INITIAL LUMENS | |
|-------------|-------|----------------|--------|
| | | 1-Lamp | 2-Lamp |
| CFL 2G11 | 55 | 675 | n/a |
| CFL GR10q-4 | 28 | 550 | 600 |
| CFL GR10q-4 | 38 | 650 | n/a |
| CFL GR10Q-4 | 55 | 700 | n/a |
| Circular T9 | 20 | 400 | 500 |
| Circular T9 | 32 | 450 | 550 |
| Circular T9 | 40 | 500 | n/a |
| Circular T5 | 22 | 425 | 550 |
| Circular T5 | 40 | 600 | 700 |
| Circular T5 | 55 | 650 | n/a |
| U-bend T8 | 32 | 575 | 675 |
| U-bend T12 | 34 | 550 | 650 |
| U-bend T12 | 40 | 600 | n/a |

NOTE: In 2-lamp operation, lumens are equally split between the two lamps.

Line Drawings:



Certification:





Catalog#: BAL1400
EMERG. BALLAST 1400 LUMENS

Category Line Voltage
Page [F24](#), [H39](#), [26](#) (Exit & Emergency Lighting Catalog)
Barcode 6-15624-87266-9

Features:

- Dual-Voltage Input 120/277VAC Operation
- UL Listed for Damp Location (0°C ~50°C)
- Two rate charger initiates battery charging to recharge an empty battery in 24 hours
- 90 Minutes Minimum Emergency Operation
- Suitable for installation inside, on top or in remote of the fixture
- Battery, Charger and Inverter Circuit included. White finish
- 6.0V long life, maintenance-free, rechargeable sealed NiCd battery
- Compatible with most One-, Two-, Three-, and Four-Lamp Electronic Standard and Dimming AC Ballasts
- Operates one or two T5, T5HO, T8, T12, T8HO, T12HO, Circular T5/T9, U-bend T8/T12, 4-Pin CFL and long CFL lamp in emergency mode

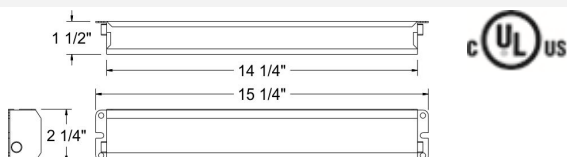
Lamp Compatibility Chart: (NOTE: In 2-lamp operation, lumens are equally split between the two lamps)

| LAMP TYPE | WATTS | INITIAL LUMENS | |
|-----------|-------|----------------|--------|
| | | 1-Lamp | 2-Lamp |
| T5 | 14 | 900 | 950 |
| T5 | 21 | 1050 | 1100 |
| T5 | 28 | 1150 | 1225 |
| T5 | 35 | 1200 | n/a |
| T5HO | 24 | 1100 | 1200 |
| T5HO | 39 | 1200 | 1300 |
| T5HO | 54 | 1350 | 1400 |
| T8 | 17 | 1000 | 1100 |
| T8 | 25 | 1100 | 1200 |
| T8 | 28 | 1150 | 1250 |
| T8 | 32 | 1300 | 1350 |
| T8 | 40 | 1350 | 1400 |
| T8HO | 44 | 1350 | n/a |
| T8 | 51 | 1400 | n/a |
| T8 | 59 | 1400 | n/a |
| T8HO | 86 | 1400 | n/a |
| T12 | 20 | 700 | 800 |
| T12 | 25 | 750 | 800 |

| LAMP TYPE | WATTS | INITIAL LUMENS | |
|------------|-------|----------------|--------|
| | | 1-Lamp | 2-Lamp |
| T12 | 30 | 800 | n/a |
| T12 | 34 | 850 | 975 |
| T12 | 40 | 950 | 1050 |
| T12 | 75 | 1300 | n/a |
| T12HO | 95 | 1400 | n/a |
| T12HO | 110 | 1400 | n/a |
| T12HO | 160 | 1400 | n/a |
| T12HO | 215 | 1400 | n/a |
| CFL G24q-1 | 13 | 725 | 850 |
| CFL G24q-2 | 18 | 800 | 875 |
| CFL G24q-3 | 21 | 850 | 900 |
| CFL G24q-3 | 26 | 950 | 1000 |
| CFL G24q-3 | 32 | 1025 | 1100 |
| CFL G24q-4 | 42 | 1160 | 1250 |
| CFL G24q-5 | 57 | 1300 | n/a |
| CFL 2G11 | 18 | 900 | 950 |
| CFL 2G11 | 24 | 1000 | 1075 |
| CFL 2G11 | 36 | 1050 | 1150 |

| LAMP TYPE | WATTS | INITIAL LUMENS | |
|-------------|-------|----------------|--------|
| | | 1-Lamp | 2-Lamp |
| CFL 2G11 | 40 | 1100 | 1175 |
| CFL 2G11 | 50 | 1200 | 1300 |
| CFL 2G11 | 55 | 1300 | n/a |
| CFL GR10q-4 | 10 | 525 | 600 |
| CFL GR10q-4 | 16 | 650 | 750 |
| CFL GR10q-4 | 21 | 800 | 875 |
| CFL GR10q-4 | 28 | 900 | 975 |
| CFL GR10q-4 | 38 | 1050 | 1150 |
| CFL GR10q-4 | 55 | 1300 | n/a |
| Circular T9 | 20 | 600 | 675 |
| Circular T9 | 32 | 750 | 800 |
| Circular T9 | 40 | 900 | 1050 |
| Circular T5 | 22 | 850 | 950 |
| Circular T5 | 40 | 1100 | 1200 |
| Circular T5 | 55 | 1300 | n/a |
| U-bend T8 | 32 | 825 | 900 |
| U-bend T12 | 34 | 875 | 950 |
| U-bend T12 | 40 | 800 | 925 |

Line Drawings & Certification:





Catalog#: BAL3000
EMERG. BALLAST 3000 LUMENS

Category Line Voltage
Page [F24](#), [H39](#), [26](#) (Exit & Emergency Lighting Catalog)
Barcode 6-15624-87267-6

Features:

- Dual-Voltage Input 120/277VAC Operation; UL Listed for Damp Location (0°C ~50°C). Red finish
- Two rate charger initiates battery charging to recharge an empty battery in 24 hours
- 90 Minutes Minimum Emergency Operation; Suitable for installation inside, on top or in remote of the fixture
- Battery, Charger and Inverter Circuit included. 14.4V long life, maintenance-free, rechargeable sealed NiCd battery
- Compatible with most One-, Two-, Three-, and Four-Lamp Electronic Standard and Dimming AC Ballasts
- Operates one or two T5, T5HO, T8, T12, T8HO, T12HO, Circular T5/T9, U-bend T8/T12, 4-Pin CFL and long CFL lamp in emergency mode.

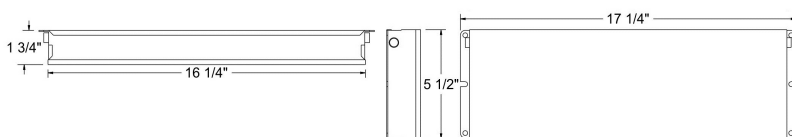
Lamp Compatibility Chart: (NOTE: In 2-lamp operation, lumens are equally split between the two lamps)

| LAMP TYPE | WATTS | INITIAL LUMENS | |
|-----------|-------|----------------|--------|
| | | 1-Lamp | 2-Lamp |
| T5 | 14 | 1150 | 1200 |
| T5 | 21 | 1650 | 1750 |
| T5 | 28 | 2250 | 2400 |
| T5 | 35 | 2700 | 2800 |
| T5HO | 24 | 1750 | 1850 |
| T5HO | 39 | 2650 | 2750 |
| T5HO | 54 | 2900 | 3000 |
| T8 | 17 | 1150 | 1200 |
| T8 | 25 | 1650 | 1800 |
| T8 | 28 | 1700 | 1800 |
| T8 | 32 | 2850 | 2900 |
| T8 | 40 | 2900 | 2950 |
| T8HO | 44 | 2900 | n/a |
| T8 | 51 | 3000 | n/a |
| T8 | 59 | 3000 | n/a |
| T8HO | 86 | 2950 | n/a |
| T12 | 20 | 900 | 950 |
| T12 | 25 | 1100 | 1200 |
| T12 | 30 | 1550 | 1600 |

| LAMP TYPE | WATTS | INITIAL LUMENS | |
|------------|-------|----------------|--------|
| | | 1-Lamp | 2-Lamp |
| T12 | 34 | 1700 | 1800 |
| T12 | 40 | 2250 | 2400 |
| T12 | 75 | 2950 | n/a |
| T12 | 85 | 3000 | n/a |
| T12HO | 95 | 3000 | n/a |
| T12HO | 110 | 3000 | n/a |
| T12HO | 160 | 3000 | n/a |
| T12HO | 215 | 3000 | n/a |
| CFL G24q-1 | 13 | 825 | 900 |
| CFL G24q-2 | 18 | 925 | 1000 |
| CFL G24q-3 | 21 | 1025 | 1100 |
| CFL G24q-3 | 26 | 1250 | 1300 |
| CFL G24q-3 | 32 | 1575 | 1700 |
| CFL G24q-4 | 42 | 1750 | 1850 |
| CFL G24q-5 | 57 | 2350 | n/a |
| CFL 2G11 | 18 | 1100 | 1200 |
| CFL 2G11 | 24 | 1350 | 1400 |
| CFL 2G11 | 36 | 1650 | 1800 |
| CFL 2G11 | 40 | 1750 | 1850 |
| CFL 2G11 | 36 | 1650 | 1800 |

| LAMP TYPE | WATTS | INITIAL LUMENS | |
|-------------|-------|----------------|--------|
| | | 1-Lamp | 2-Lamp |
| CFL 2G11 | 40 | 1750 | 1850 |
| CFL 2G11 | 50 | 2200 | 2300 |
| CFL 2G11 | 55 | 2450 | n/a |
| CFL 2G11 | 80 | 2750 | n/a |
| CFL GR10q-4 | 10 | 575 | 650 |
| CFL GR10q-4 | 16 | 775 | 900 |
| CFL GR10q-4 | 21 | 1050 | 1200 |
| CFL GR10q-4 | 28 | 1450 | 1550 |
| CFL GR10q-4 | 38 | 1675 | 1800 |
| CFL GR10q-4 | 55 | 2350 | 2500 |
| Circular T9 | 20 | 750 | 800 |
| Circular T9 | 32 | 1100 | 1250 |
| Circular T9 | 40 | 1450 | 1600 |
| Circular T5 | 22 | 1400 | 1550 |
| Circular T5 | 40 | 1650 | 1800 |
| Circular T5 | 55 | 2250 | 2400 |
| U-bend T8 | 32 | 1100 | 1200 |
| U-bend T12 | 34 | 1025 | 1100 |
| U-bend T12 | 40 | 975 | 1050 |

Line Drawings & Certification:



LBAL SERIES

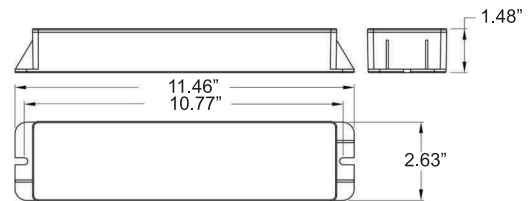
LED EMERGENCY LIGHTING BALLASTS

General Specifications

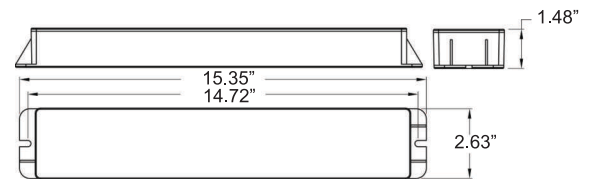
- ▶ Dual-Voltage Input 120/277VAC Operation
- ▶ UL Classified for field installation
- ▶ Suitable for Damp Location (0°C - 50°C)
- ▶ Provides constant power output to the load during emergency mode operation
- ▶ 90 minute minimum emergency operation over full temperature range
- ▶ Injection Molded, engineering grade, 5VA Flame Retardant, high-impact, thermoplastic
- ▶ Black finish
- ▶ Installs inside, on top, or in remote of the fixture
- ▶ Output short/overcurrent protection: Electronic limiting, with normal operation resuming upon removal of fault
- ▶ Can be operated as NORMALLY-ON, NORMALLY-OFF or SWITCHED LOAD
- ▶ Output classification: Class 2 Compliant
- ▶ Surge protection: Per C62.41 (TVS)
- ▶ Input overcurrent protection: Fusible Link
- ▶ LED illuminated and remote mounted test switch
- ▶ Charge/Power "ON" LED indicator light and push-to-test switch
- ▶ Maintenance-free, rechargeable NiCd Battery
- ▶ 24 Hour max battery recharge time
- ▶ 5 year warranty on electronics and housing
- ▶ Meets UL924, NFPA 101 Life Safety Code



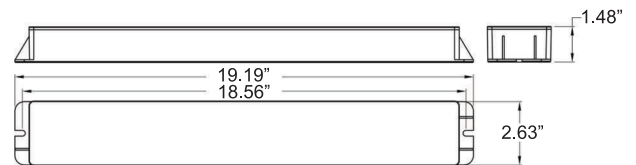
Dimensions



LBAL800



LBAL1200 & 1600



LBAL2000 & 2400



| Catalog No. | OUTPUT OPERATING RANGE | | OUTPUT POWER | | Input Current (A) | Input Power (W) |
|-------------|------------------------|----------------------------|---------------------------|--------|-------------------|-----------------|
| | Voltage (Vdc) | Current (mA _c) | System Wattage (Constant) | Lumens | | |
| LBAL800 | 20 - 50 | 250 - 100 | 5 | 800 | 0.061 | 3.9 |
| LBAL1200 | 20 - 50 | 390 - 156 | 7.8 | 1250 | 0.065 | 4.8 |
| LBAL1600 | 20 - 50 | 535 - 214 | 10.7 | 1700 | 0.087 | 5.7 |
| LBAL2000 | 20 - 50 | 685 - 274 | 13.7 | 2200 | 0.11 | 6.9 |
| LBAL2400 | 20 - 50 | 850 - 340 | 17 | 2700 | 0.11 | 7.9 |

*Lumen output based on LED light source having efficacy of 160 lumens/watt. Actual output may vary depending on light source.

ORBIT LED LIGHTS COMPATIBILITY TABLE

| | | | |
|-------------|--------------|----------------|-------------|
| LWP1-28W-CW | LWP2-80W-CW | LWP3-50W-CW | LFL6-80W-T |
| LWP1-28W-WW | LWP25-12W-CW | LWP3-80W-CW | LFL6-80W-SF |
| LWP1-50W-CW | LWP25-12W-WW | LP741-30W-P-CW | |
| LWP1-80W-CW | LWP25-30W-WW | LWP18-30W-P-CW | |





Catalog#: UCL-33
33" UNDER CABINET LIGHT 21W ELECTRONIC

| | |
|-----------------|---|
| Category | LIGHTING |
| Page | F25 , H44 |
| Barcode | 6-15624-87271-3 |

Dimensions:

| | |
|--------|-----|
| Width | 33" |
| Height | 5" |
| Depth | 1" |

Features:

- 33" Under Cabinet Electronic Ballast
- One 8W T5 & One 12W T5
- 120~125 VAC
- Electronic Class P Ballast
- Switch Included
- Heavy Gage Steel with Flush Ends
- K.O.s on Top, Sides, and Back
- Backed White Enamel With Rust Inhibiting Phosphate Coat

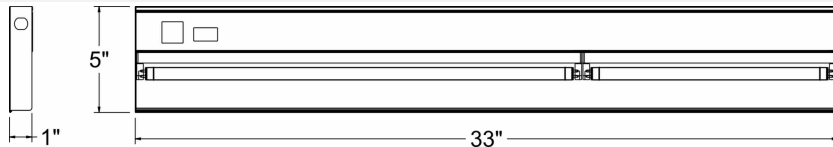
Specifications:

| | |
|-------|-------|
| Color | White |
|-------|-------|

Packaging Info:

| | |
|---------|-------|
| Std Pkg | 1 |
| Weight | 4.875 |

Line Drawings:





Catalog#: EB-6
6V 4.5AH SEALED LEAD-ACID CADMIUM REPLACEMENT BATTERY

Category EXIT & EMERGENCY
Page [F26 23](#) (Exit & Emergency Lighting Catalog)
Barcode 6-15624-87226-3

Features:

6V, 4.5Ah Sealed Lead-Acid Cadmium Replacement Battery
For use with EL2N, EL2H, EL2F, EL2RC, EL2LR, EL2T, EL2H-WP, EL2TN4, EECLA, ESLN4, ESLN4M, ESBL2L, SECL





Catalog#: EB-48
4.8V 650-700mAh NICKLE-CADMIUM BATTERY PACK

Category EXIT & EMERGENCY
Page [F26 23](#) (Exit & Emergency Lighting Catalog)
Barcode 6-15624-87227-0

Features:

4.8V, 650-700mAh Ni-Cad Replacement Battery
For use with EL1DOL, ESBL, ESL2C, ESLA, ESSE, ESRE, EECLP-LED, ESBL2N4, SSBL





Catalog#: EB-36
3.6V, 900mAH, NiCd BATTERY

Category EXIT & EMERGENCY
Barcode 6-15624-00568-5

Features:

3.6V, 900mAh NiCd Battery
For use with EL2NM-LED, EL2HM-LED, EL2FM-LED, EL2SML, EL2JL, EL2H-WP-LED, EECMPL, EECLM-LED, EECLMS





Catalog#: EB-36HO
3.6V, 1800mAh, NiCd BATTERY FOR HIGH OUTPUT

Category EXIT & EMERGENCY
Barcode 6-15624-00569-2

Features:

3.6V, 1800mAh NiCd Battery for High Output
For use with EL2NM-LED-HO





Catalog#: EHB-5
6V 5W MR16 EMERGENCY LAMP

| | |
|-----------------|---------------------|
| Category | EXIT & EMERGENCY |
| Page | F26 |
| Barcode | 6-15624-87229-4 |

Features:

6V, 5W MR16 Halogen Lamp
For use with EL2H and ESBL2H

Packaging Info:

| | |
|---------|---|
| Std Pkg | 1 |
| Weight | 1 |





Catalog#: EIB-5
6V 5W INCANDESCENT EMERGENCY WEDGE LAMP

| | |
|-----------------|---------------------|
| Category | EXIT & EMERGENCY |
| Page | F26 |
| Barcode | 6-15624-87228-7 |

Features:

6V, 5W Wedge-Base Incandescent Lamp
For use with All Orbit Wedge-Based Incandescent Units

Packaging Info:

| | |
|---------|------|
| Std Pkg | 1 |
| Weight | 0.25 |

