



SUBMITTAL SHEETS

WIRING DEVICES - E



Catalog#: T24VSD-S

Vacancy Sensor Decorator 180° 1300 Sq. Ft. Coverage Automatically Optimizes Auto OFF Time Delay Time to Minimum

Category Wiring Device
Page [E1](#)

Description:

Passive Infrared Vacancy Sensor, 180°, 650 Sq.Ft. Coverage
 Rating: Incandescent: 800W@120VAC
 Fluorescent: 800VA@120VAC
 Motor: 1/4HP@120VAC

Features:

- Manual ON
- Automatic OFF after time delay expires and manual OFF option
- Adjustable time delay from 15 seconds to 30 minutes
- Adjustable sensitivity settings
- Passive Infrared Technology
- 2 year warranty
- Standard decorative wall plate included
- Compatible with Magentic and Electronic Ballast
- California Title 24 Compliant

Packaging Info:

Std Pkg 10
 Weight

Cat. No.	Color	UPC
T24VSD-S-W	White	615624467414
T24VSD-S-I	Ivory	615624467407
T24VSD-S-A	Almond	615624467391





Catalog#: T24VS-S
VS SINGLE POLE WALL SWITCH PIR WITH SCR

Category Wiring Device
Page [E14](#)

Description:

Passive Infrared Vacancy Sensor, 150°, 450 Sq.Ft. Coverage
 Rating: Incandescent: 500W@120VAC
 Fluorescent: 500VA@120VAC
 Motor: 1/8HP@120VAC

Features:

- Manual ON
- Automatic OFF after time delay expires and manual OFF option
- Adjustable time delay from 15 seconds to 30 minutes
- Adjustable sensitivity settings
- Passive Infrared Technology
- 2 year warranty
- Standard decorative wall plate included
- Compatible with Magentic and Electronic Ballast
- California Title 24 Compliant

Packaging Info:

Std Pkg 10
 Weight

Cat. No.	Color	UPC
T24VS-S-W	White	835243018235





Catalog#: OSD-S
Occupancy Sensor Decorator 180° 650 Sq. Ft. Coverage

Category Wiring Device
Page [E2](#)

Description:

Passive Infrared Occupancy Sensor, 180°, 650 Sq. Ft. Coverage
 Rating: Incandescent: 800W@120VAC
 Fluorescent: 800VA@120VAC
 Motor: 1/4HP@120VAC

Features:

- Turn lights ON/OFF automatically
- With Manual ON/OFF Pushbutton
- Adjustable time delay from 15 seconds to 30 minutes
- 5 year warranty
- Standard decorative wall plate included
- Compatible with Magnetic and Electronic Ballast
- California Title 24 Compliant

Packaging Info:

Std Pkg 10
 Weight

Cat. No.	Color	UPC
OSD-S-W	White	615624467261
OSD-S-I	Ivory	615624467254
OSD-S-A	Almond	615624467247





Catalog#: OSD-S-2W
Passive Infrared Occupancy Sensor, 180°, 1200 Sq.Ft. Coverage

Category Wiring Device
Page [E2](#)

Description:

Passive Infrared Occupancy Sensor, 180°, 1200 Sq.Ft. Coverage
 Rating: Incandescent: 800W@120VAC
 Fluorescent: 800VA@120VAC
 1600VA@277VAC
 Motor: 1/4HP@120VAC

Features:

- Turn lights ON/OFF automatically
- With Manual ON/OFF Pushbutton
- Built-in VAC Selection side button switch
- Adjustable time delay from 15 seconds to 30 minutes
- Self-adaptive feature automatically adjusts time delay based on occupants behavior patterns
- 5 year warranty
- Standard decorative wall plate included
- Compatible with Magentic and Electronic Ballast
- California Title 24 Compliant

Packaging Info:

Std Pkg 10
 Weight

Cat. No.	Color	UPC
OSD-S-2W-W	White	615624467261
OSD-S-2W-I	Ivory	615624467254





Catalog#: OS-P
Passive Infrared Occupancy Sensor 150° 450 Sq. Ft. Coverage

Category Wiring Device
Page [E3](#)

Description:

Passive Infrared Occupancy Sensor, 150°, 450 Sq. Ft. Coverage
 Rating: Incandescent: 500W@120VAC
 Fluorescent: 500VA@120VAC
 Motor: 1/8HP@120VAC

Features:

- Turn lights ON/OFF automatically
- With Manual ON/OFF Pushbutton
- Adjustable time delay from 15 seconds to 30 minutes
- Adjustable sensitivity settings
- 2 year warranty
- Standard decorative wall plate included
- For Magentic Ballast Only
- California Title 24 Compliant

Packaging Info:

Std Pkg 10
 Weight

Cat. No.	Color	UPC
OS-P-W	White	835243018150
OS-P-I	Ivory	835243018143





Catalog#: OS-S
Passive Infrared Occupancy Sensor 150° 450 Sq. Ft. Coverage

Category Wiring Device
Page [E3](#)

Description:

Passive Infrared Occupancy Sensor, 150°, 450 Sq. Ft. Coverage
 Rating: Incandescent: 500W@120VAC
 Fluorescent: 500VA@120VAC
 Motor: 1/8HP@120VAC

Features:

- Turn lights ON/OFF automatically
- Use as regular switch with manual ON/OFF setting
- Adjustable time delay from 15 seconds to 30 minutes
- Adjustable sensitivity settings
- 2 year warranty
- Standard decorative wall plate included
- For Magentic Ballast Only
- California Title 24 Compliant

Packaging Info:

Std Pkg 10
 Weight

Cat. No.	Color	UPC
OS-S-W	White	615624467292
OS-S-I	Ivory	615624467285





Catalog#: DRU15-TR-2A
15A DUPLEX RECEPTACLE TAMPER RESISTANT WITH 2-USB CHARGER

Category

Wiring Device

Description:

Orbit's DRU15-TR-2A is a 15A tamper-resistant Duplex Receptacle featuring 2 USB ports. With the ability to charge multiple devices without an adapter, all while retaining the use of the receptacle, Orbit's USB Charger Receptacles are a popular upgrade for many commercial and residential buildings.

Features:

- 125 VAC
- Dual USB Ports with 5VDC
- 2.1A Charging Capacity
- Charge devices without the need for an adapter
- Back and side wiring options for easy installation
- Meets NEC Article 406.12 for tamper-resistant receptacles
- Wallplate included

Packaging Info:

Std Pkg	1
Master Carton	60

Certifications:



Cat. No.	Color	UPC
DRU15-TR-2A	White	615624005661





Catalog#: DRU20-TR
20A DUPLEX RECEPTACLE TAMPER RESISTANT WITH 2-USB CHARGER

Category

Wiring Device

Description:

Orbit's DRU20-TR is a 20A tamper-resistant Duplex Receptacle featuring 2 USB ports. With the ability to charge multiple devices without an adapter, all while retaining the use of the receptacle, Orbit's USB Charger Receptacles are a popular upgrade for many commercial and residential buildings.

Features:

- 125 VAC
- Dual USB Ports with 5VDC
- 4.0A Charging Capacity
- Charge devices without the need for an adapter
- Back and side wiring options for easy installation
- Meets NEC Article 406.12 for tamper-resistant receptacles
- Wall Plate included

Packaging Info:

Std Pkg	1
Master Carton	60

Certifications:



Cat. No.	Color	UPC
DRU20-TR	White	615624005654





Catalog#: CDR15-TR
15A Duplex Receptacle, Tamper Resistant

Category
Page

Wiring Device
[E4](#)

Description:

15A Decorative Receptacle
 Tamper Resistant

Features:

- 125 VAC
- Self-Grounding
- Impact Resistant Thermoplastic Body
- With integral ground contacts locked into back, body, and face to prevent strap separation
- With Combination Head Screws
- #14 to #10AWG Side Wire

Packaging Info:

Std Pkg	10
Master Carton	200
Weight	

Cat. No.	Color	UPC
CDR15-TR-SW	White	835243018242
CDR15-TR-SI	Ivory	835243018259





Catalog#: CDR20-TR
20A Duplex Receptacle, Tamper Resistant

Category WIRING DEVICE
Page [E17](#)

Description:

20A Decorative Receptacle
 Tamper Resistant

Features:

- 125 VAC
- Self-Grounding
- Impact Resistant Thermoplastic Body
- With integral ground contacts locked into back, body, and face to prevent strap separation
- With Combination Head Screws
- #14 to #10AWG Side Wire

Packaging Info:

Std Pkg 10
 Master Carton 200
 Weight

Cat. No.	Color	UPC
CDR20-TR-SW	White	835243018266





Catalog#: DR15
15A Decorative Receptacle

Category WIRING DEVICE
Page [E17](#)

Description:

15A Decorative Receptacle

Features:

- 125 VAC
- Self-Grounding
- Impact Resistant Thermoplastic Body
- #14 to #10AWG Side Wire or #14AWG Push-In Back Wire (DR15)
- With Combination Head Screws
- Meets NEC Article 406.12 for tamper-resistant receptacles

Packaging Info:

Std Pkg	10
Master Carton	200
Weight	

Cat. No.	Color	UPC
DR15-SW	White	615624465182
DR15-SI	Ivory	615624465199
DR15-SA	Almond	615624465205





Catalog#: DR15-TR
15A Decorative Receptacle, Tamper Resistant

Category
Page

Wiring Device
[E4](#)

Description:

15A Decorative Receptacle
 Tamper Resistant

Features:

- 125 VAC
- Self-Grounding
- Impact Resistant Thermoplastic Body
- Adjustable sensitivity settings
- #14 to #10AWG Side Wire or #14AWG Push-In Back Wire (DR15)
- With Combination Head Screws
- Meets NEC Article 406.12 for tamper-resistant receptacles

Packaging Info:

Std Pkg	10
Master Carton	200
Weight	

Cat. No.	Color	UPC
DR15-TR-SW	White	615624467643
DR15-TR-SI	Ivory	615624467650
DR15-TR-SBK	Black	615624467667
DR15-TR-SA	Almond	615624467674





Catalog#: DR20
20A Decorative Receptacle

Category
Page

Wiring Device
[E4](#)

Description:

20A Decorative Receptacle

Features:

- 125 VAC
- Self-Grounding
- Impact Resistant Thermoplastic Body
- #14 to #10AWG Side Wire or #14 to #12AWG Back Wire (DR20)
- With Combination Head Screws
- Meets NEC Article 406.12 for tamper-resistant receptacles

Packaging Info:

Std Pkg	10
Master Carton	200
Weight	

Cat. No.	Color	UPC
DR20-SW	White	615624466127
DR20-SI	Ivory	615624466134
DR20-SBK	Black	615624466141
DR20-SA	Almond	615624466158





Catalog#: DS15
15A Single-Pole Rocker Switch

Category WIRING DEVICE
Page [E22](#)

Description:

15A Single-Pole

Features:

- 120~277 VAC
- Rocker-Type
- Impact Resistant Thermoplastic Body
- #14 to #10AWG Side Wire or #14AWG Push-In Back Wire
- With Combination Head Screws

Packaging Info:

Std Pkg 10
 Master Carton 200
 Weight

Cat. No.	Color	UPC
DS15-W	White	615624465502
DS15-I	Ivory	615624465496
*DS15-BK	Black	615624465540
DS15-A	Almond	615624465663

*While Supplies Last





Catalog#: DS315
15A Three-Way Rocker Switch

Category WIRING DEVICE
Page [E22](#)

Description:

15A Three-Way

Features:

- 120~277 VAC
- Rocker-Type
- Impact Resistant Thermoplastic Body
- #14 to #10AWG Side Wire or #14AWG Push-In Back Wire
- With Combination Head Screws

Packaging Info:

Std Pkg 10
 Master Carton 200
 Weight

Cat. No.	Color	UPC
DS315-W	White	615624465526
DS315-I	Ivory	615624465519
*DS315-BK	Black	615624465557
DS315-A	Almond	615624465670

*While Supplies Last





Catalog#: DS415
15A Four-Way with Pigtail

Category WIRING DEVICE
Page [E22](#)

Description:

15A Four-Way with Pigtail

Features:

- 120~277 VAC
- Rocker-Type
- Impact Resistant Thermoplastic Body
- #14 to #10AWG Side Wire or #14AWG Push-In Back Wire
- With Combination Head Screws

Packaging Info:

Std Pkg 10
 Master Carton 200
 Weight

Cat. No.	Color	UPC
DS415-W	White	615624465823
DS415-I	Ivory	615624465816
*DS415-BK	Black	615624465830
DS415-A	Almond	615624465847

*While Supplies Last





Catalog#: DSL15
15A Single-Pole, Illuminated

Category
Page

Wiring Device
[E4](#)

Description:

15A Single Pole, Illuminated

Features:

- 120~277 VAC
- Rocker-Type
- Impact Resistant Thermoplastic Body
- #14 to #10AWG Side Wire or #14AWG Push-In Back Wire
- With Combination Head Screws
- Illuminated Switches Features: Light glows through the top portion of the switch when in the off position

Packaging Info:

Std Pkg	10
Master Carton	200
Weight	

Cat. No.	Color	UPC
DSL15-W	White	615624465946
DSL15-I	Ivory	615624465939





Catalog#: DSL315
15A Three-Way, Illuminated

Category
Page

Wiring Device
[E4](#)

Description:

15A Three-Way, Illuminated

Features:

- 120~277 VAC
- Rocker-Type
- Impact Resistant Thermoplastic Body
- #14 to #10AWG Side Wire or #14AWG Push-In Back Wire
- With Combination Head Screws
- Illuminated Switches Features: Light glows through the top portion of the switch when in the off position

Packaging Info:

Std Pkg	10
Master Carton	200
Weight	

Cat. No.	Color	UPC
DSL315-W	White	615624465960
DSL315-I	Ivory	615624465953





Catalog#: R30-3
30A 3-Pole 3-Wire Dryer Receptacle NEMA 10-30R

Category
Page

Wiring Device
[E5](#)

Description:

30A, 3-Pole, 3-Wire Dryer Receptacle, NEMA 10-30R

Features:

- 125~250 VAC
- Impact Resistant Thermoplastic Body
- #10 to #4AWG Back Terminals

Dimension:

Diameter 2.11"

Packaging Info:

Std Pkg 10
 Master Carton 40
 Weight

Cat. No.	Color	UPC
R30-3	Black	615624465991





Catalog#: R30-4
30A 3-Pole 4-Wire Dryer Receptacle NEMA 14-30R

Category
Page

Wiring Device
[E5](#)

Description:

30A, 3-Pole, 4-Wire Dryer Receptacle, NEMA 14-30R

Features:

- 125~250 VAC
- Impact Resistant Thermoplastic Body
- #10 to #4AWG Back Terminals

Dimension:

Diameter 2.11"

Packaging Info:

Std Pkg 10
 Master Carton 40
 Weight

Cat. No.	Color	UPC
R30-4	Black	615624466011
R30-4-W	White	615624466370





Catalog#: R50-3
50A 3-Pole 3-Wire Range Receptacle NEMA 10-50R

Category
Page

Wiring Device
[E5](#)

Description:

50A, 3-Pole, 3-Wire Range Receptacle, NEMA 10-50R

Features:

- 125~250 VAC
- Impact Resistant Thermoplastic Body
- #10 to #4AWG Back Terminals

Dimension:

Diameter 2.11"

Packaging Info:

Std Pkg 10
 Master Carton 40
 Weight

Cat. No.	Color	UPC
R50-3	Black	615624465984





Catalog#: R50-4
50A 3-Pole 4-Wire Range Receptacle NEMA 14-50R

Category
Page

Wiring Device
[E5](#)

Description:

50A, 3-Pole, 4-Wire Range Receptacle, NEMA 14-50R

Features:

- 125~250 VAC
- Impact Resistant Thermoplastic Body
- #10 to #4AWG Back Terminals

Dimension:

Diameter 2.11"

Packaging Info:

Std Pkg 10
 Master Carton 40
 Weight

Cat. No.	Color	UPC
R50-4	Black	615624466004
R50-4-W	White	615624466363





Catalog#: SR15
15A,125V Single Receptacle

Category
Page

Wiring Device
[E5](#)

Description:

15A, 125V Single Receptacle

Features:

- 125 VAC or 250 VAC
- Impact Resistant Thermoplastic Body
- With integral ground contacts locked into back, body, and face to prevent strap separation
- Up to #10AWG Side Wire
- With Combination Head Screws
- Meets NEC Article 406.12 for tamper-resistant receptacles

Packaging Info:

Std Pkg	10
Master Carton	200
Weight	

Cat. No.	Color	UPC
SR15-W	White	615624465861
SR15-I	Ivory	615624465854





Catalog#: SR15-250
15A, 250V Single Receptacle

Category
Page

Wiring Device
[E5](#)

Description:

15A, 250V Single Receptacle

Features:

- 250 VAC
- Impact Resistant Thermoplastic Body
- With integral ground contacts locked into back, body, and face to prevent strap separation
- Up to #10AWG Side Wire
- With Combination Head Screws
- Meets NEC Article 406.12 for tamper-resistant receptacles

Packaging Info:

Std Pkg	10
Master Carton	200
Weight	

Cat. No.	Color	UPC
SR15-250-W	White	615624465908
SR15-250-I	Ivory	615624465892





Catalog#: SR15-TR
15A Single Receptacle, Tamper Resistant

Category
Page

Wiring Device
[E5](#)

Description:

15A, 125V Single Receptacle
 Tamper Resistant

Features:

- 125 VAC or 250 VAC
- Impact Resistant Thermoplastic Body
- With integral ground contacts locked into back, body, and face to prevent strap separation
- Up to #10AWG Side Wire
- With Combination Head Screws
- Meets NEC Article 406.12 for tamper-resistant receptacles

Packaging Info:

Std Pkg	10
Master Carton	200
Weight	

Cat. No.	Color	UPC
SR15-TR-W	White	835243018396
SR15-TR-I	Ivory	835243018389





Catalog#: SR20
20A,125V Single Receptacle

Category
Page

Wiring Device
[E5](#)

Description:

20A, 125V Single Receptacle

Features:

- 125 VAC or 250 VAC
- Impact Resistant Thermoplastic Body
- With integral ground contacts locked into back, body, and face to prevent strap separation
- Up to #10AWG Side Wire
- With Combination Head Screws
- Meets NEC Article 406.12 for tamper-resistant receptacles

Packaging Info:

Std Pkg	10
Master Carton	200
Weight	

Cat. No.	Color	UPC
SR20-W	White	615624465885
SR20-I	Ivory	615624465878





Catalog#: SR20-250
20A,125V Single Receptacle

Category
Page

Wiring Device
[E5](#)

Description:

20A, 250V Single Receptacle

Features:

- 250 VAC
- Impact Resistant Thermoplastic Body
- With integral ground contacts locked into back, body, and face to prevent strap separation
- Up to #10AWG Side Wire
- With Combination Head Screws
- Meets NEC Article 406.12 for tamper-resistant receptacles

Packaging Info:

Std Pkg	10
Master Carton	200
Weight	

Cat. No.	Color	UPC
SR20-250-W	White	615624465922
SR20-250-I	Ivory	615624465915





Catalog#: SR20-TR
20A Single Receptacle, Tamper Resistant

Category
Page

Wiring Device
[E5](#)

Description:

20A, 125V Single Receptacle
 Tamper Resistant

Features:

- 125 VAC or 250 VAC
- Impact Resistant Thermoplastic Body
- With integral ground contacts locked into back, body, and face to prevent strap separation
- Up to #10AWG Side Wire
- With Combination Head Screws
- Meets NEC Article 406.12 for tamper-resistant receptacles

Packaging Info:

Std Pkg	10
Master Carton	200
Weight	

Cat. No.	Color	UPC
SR20-TR-W	White	835243018419
SR20-TR-I	Ivory	835243018402





Catalog#: CR15
15A Duplex Receptacle

Category
Page

Wiring Device
[E6](#)

Description:

15A Duplex Receptacle

Features:

- 125 VAC
- Self-Grounding
- Impact Resistant Thermoplastic Body
- With integral ground contacts locked into body, back, and face to prevent strap separation
- #14 to #10AWG Side Wire
- With Combination Head Screws
- Meets NEC Article 406.12 for tamper-resistant receptacles

Packaging Info:

Std Pkg	10
Master Carton	200
Weight	

Cat. No.	Color	UPC
CR15-W	White	615624465700
CR15-I	Ivory	615624465694





Catalog#: CR15-TR
15A Duplex Receptacle, Temper Resistant

Category
Page

Wiring Device
[E6](#)

Description:

20A Duplex Receptacle
 Tamper Resistant

Features:

- 125 VAC
- Self-Grounding
- Impact Resistant Thermoplastic Body
- With integral ground contacts locked into body, back, and face to prevent strap separation
- #14 to #10AWG Side Wire
- With Combination Head Screws
- Meets NEC Article 406.12 for tamper-resistant receptacles

Packaging Info:

Std Pkg	10
Master Carton	200
Weight	

Cat. No.	Color	UPC
CR15-TR-SW	White	835243018303
CR15-TR-SI	Ivory	835243018310





Catalog#: CR20
20A Duplex Receptacle

Category
Page

Wiring Device
[E6](#)

Description:

20A Duplex Receptacle

Features:

- 125 VAC
- Self-Grounding
- Impact Resistant Thermoplastic Body
- With integral ground contacts locked into body, back, and face to prevent strap separation
- #14 to #10AWG Side Wire
- With Combination Head Screws
- Meets NEC Article 406.12 for tamper-resistant receptacles

Packaging Info:

Std Pkg	10
Master Carton	200
Weight	

Cat. No.	Color	UPC
CR20-W	White	615624465724
CR20-I	Ivory	615624465717





Catalog#: CR20-TR
20A Duplex Receptacle, Temper Resistant

Category
Page

Wiring Device
[E6](#)

Description:

20A Duplex Receptacle
 Tamper Resistant

Features:

- 125 VAC
- Self-Grounding
- Impact Resistant Thermoplastic Body
- With integral ground contacts locked into body, back, and face to prevent strap separation
- #14 to #10AWG Side Wire
- With Combination Head Screws
- Meets NEC Article 406.12 for tamper-resistant receptacles

Packaging Info:

Std Pkg	10
Master Carton	200
Weight	

Cat. No.	Color	UPC
CR20-TR-SW	White	835243018303
CR20-TR-SI	Ivory	835243018310





Catalog#: HR15
15A Duplex Receptacle

Category
Page

Wiring Device
[E6](#)

Description:

15A Duplex Receptacle

Features:

- 125 VAC
- Thermoplastic Shutter
- Tamper Resistant Design
- Impact Resistant Nylon Body
- One-piece Brass Alloy Grounding
- High Performance Copper Alloy Contacts
- Encapsulated ground contacts
- #14 to #10AWG Side or Back Wiring
- 8-hole back wiring for feed thru wiring
- With Combination Head Screws

Packaging Info:

Std Pkg	10
Master Carton	200
Weight	

Cat. No.	Color	UPC
HR15-W	White	615624466240
HR15-I	Ivory	615624466257
HR15-R	Red	615624466264





Catalog#: HR20
20A Duplex Receptacle

Category
Page

Wiring Device
[E6](#)

Description:

20A Duplex Receptacle

Features:

- 125 VAC
- Thermoplastic Shutter
- Tamper Resistant Design
- Impact Resistant Nylon Body
- One-piece Brass Alloy Grounding
- High Performance Copper Alloy Contacts
- Encapsulated ground contacts
- #14 to #10AWG Side or Back Wiring
- 8-hole back wiring for feed thru wiring
- With Combination Head Screws

Packaging Info:

Std Pkg	10
Master Carton	200
Weight	

Cat. No.	Color	UPC
HR20-W	White	615624466271
HR20-I	Ivory	615624466288
HR20-R	Red	615624466295





Catalog#: R15
15A Duplex Receptacle

Category
Page

Wiring Device
[E6](#)

Description:

15A Duplex Receptacle

Features:

- 125 VAC
- Self-Grounding
- Impact Resistant Thermoplastic Body
- #14 to #10AWG Side Wire or #14AWG Push-In Back Wire (R15)
- With Combination Head Screws
- Meets NEC Article 406.12 for tamper-resistant receptacles

Packaging Info:

Std Pkg	10
Master Carton	200
Weight	

Cat. No.	Color	UPC
R15-SW	White	615624465168
R15-SI	Ivory	615624465175
R15-SG	Gray	615624465328





Catalog#: R15-TR
15A Duplex Receptacle, Tamper Resistant

Category
Page

Wiring Device
[E6](#)

Description:

15A Duplex Receptacle
 Tamper Resistant

Features:

- 125 VAC
- Self-Grounding
- Impact Resistant Thermoplastic Body
- #14 to #10AWG Side Wire or #14AWG Push-In Back Wire (R15)
- With Combination Head Screws
- Meets NEC Article 406.12 for tamper-resistant receptacles

Packaging Info:

Std Pkg	10
Master Carton	200
Weight	

Cat. No.	Color	UPC
R15-TR-SW	White	835243018174
R15-TR-SI	Ivory	835243018167





Catalog#: R20
20A Duplex Receptacle

Category
Page

Wiring Device
[E6](#)

Description:

20A Duplex Receptacle

Features:

- 125 VAC
- Self-Grounding
- Impact Resistant Thermoplastic Body
- #14 to #10AWG Side Wire or #14 to #12AWG Back Wire (R20)
- With Combination Head Screws
- Meets NEC Article 406.12 for tamper-resistant receptacles

Packaging Info:

Std Pkg	10
Master Carton	200
Weight	

Cat. No.	Color	UPC
R20-SW	White	615624466172
R20-SI	Ivory	615624466165





Catalog#: R20-TR
20A Duplex Receptacle, Tamper Resistant

Category
Page

Wiring Device
[E6](#)

Description:

20A Duplex Receptacle
 Tamper Resistant

Features:

- 125 VAC
- Self-Grounding
- Impact Resistant Thermoplastic Body
- #14 to #10AWG Side Wire or #14 to #12AWG Back Wire (R20)
- With Combination Head Screws
- Meets NEC Article 406.12 for tamper-resistant receptacles

Packaging Info:

Std Pkg	10
Master Carton	200
Weight	

Cat. No.	Color	UPC
R20-TR-SW	White	835243018426
R20-TR-SI	Ivory	835243018433





Catalog#: IGR15
15A Duplex Receptacle

Category
Page

Wiring Device
[E7](#)

Description:

Isolated Ground Receptacles (IGR) provide protection to critical equipment with an isolated ground path to a building's isolated ground system
 15A Duplex Receptacle

Features:

- 125 VAC
- Self-Grounding
- Impact Resistant Thermoplastic Body
- With integral ground contacts locked into back, body, and face to prevent strap separation
- #14 to #10AWG Side or Back Wiring Options
- 8-hole back wiring for feed thru wiring
- With Combination Head Screws

Packaging Info:

Std Pkg	10
Master Carton	200
Weight	

Cat. No.	Color	UPC
IGR15-W	White	615624466301
IGR15-I	Ivory	615624466318
IGR15-O	Orange	615624466325





Catalog#: IGR20
20A Duplex Receptacle with Isolated Ground

Category
Page

Wiring Device
[E7](#)

Description:

Isolated Ground Receptacles (IGR) provide protection to critical equipment with an isolated ground path to a building's isolated ground system
 20A Duplex Receptacle

Features:

- 125 VAC
- Self-Grounding
- Impact Resistant Thermoplastic Body
- With integral ground contacts locked into back, body, and face to prevent strap separation
- #14 to #10AWG Side or Back Wiring Options
- 8-hole back wiring for feed thru wiring
- With Combination Head Screws

Packaging Info:

Std Pkg	10
Master Carton	200
Weight	

Cat. No.	Color	UPC
IGR20-W	White	615624466332
IGR20-I	Ivory	615624466349
IGR20-O	Orange	615624466356





Catalog#: IR15
15A Duplex Receptacle

Category
Page

Wiring Device
[E7](#)

Description:

15A Duplex Receptacle

Features:

- 125 VAC
- Self-Grounding
- Impact Resistant Thermoplastic Body
- With integral ground contacts locked into back, body, and face to prevent strap separation
- #14 to #10AWG Side or Back Wiring Options
- 8-hole back wiring for feed thru wiring
- With Combination Head Screws

Packaging Info:

Std Pkg	10
Master Carton	200
Weight	

Cat. No.	Color	UPC
IR15-W	White	615624466189
IR15-I	Ivory	615624466196





Catalog#: IR20
20A Duplex Receptacle

Category
Page

Wiring Device
[E7](#)

Description:

20A Duplex Receptacle

Features:

- 125 VAC
- Self-Grounding
- Impact Resistant Thermoplastic Body
- With integral ground contacts locked into back, body, and face to prevent strap separation
- #14 to #10AWG Side or Back Wiring Options
- 8-hole back wiring for feed thru wiring
- With Combination Head Screws

Packaging Info:

Std Pkg	10
Master Carton	200
Weight	

Cat. No.	Color	UPC
IR20-W	White	615624466219
IR20-I	Ivory	615624466226





Catalog#: TS15
15A Single Pole Toggle Switches

Category
Page

Wiring Device
[E8](#)

Description:

15A, 120V Single Pole

Features:

- 120 VAC
- #14 to #10AWG Side Wire or #14AWG Push-In Back Wire
- With Combination Head Screws
- Thermoplastic Toggle & Frame Construction
- Smooth Toggle Action

Packaging Info:

Std Pkg	10
Master Carton	200
Weight	

Cat. No.	Color	UPC
TS15-W	White	615624465465
TS15-I	Ivory	615624465458
TS15-G	Gray	615624465649





Catalog#: TS20
20A Single Pole Toggle Switches

Category
Page

Wiring Device
[E8](#)

Description:

20A Single Pole

Features:

- 120~277 VAC
- #14 to #10AWG Side Wire
- With Combination Head Screws
- Thermoplastic Toggle & Frame Construction
- Smooth Toggle Action

Packaging Info:

Std Pkg	10
Master Carton	200
Weight	

Cat. No.	Color	UPC
TS20-W	White	615624466783
TS20-I	Ivory	615624465779





Catalog#: TS315
15A Three-Way Toggle Switches

Category
Page

Wiring Device
[E8](#)

Description:

15A, 120V Three-Way

Features:

- 120 VAC
- #14 to #10AWG Side Wire or #14AWG Push-In Back Wire
- With Combination Head Screws
- Thermoplastic Toggle & Frame Construction
- Smooth Toggle Action

Packaging Info:

Std Pkg	10
Master Carton	200
Weight	

Cat. No.	Color	UPC
TS315-W	White	615624465489
TS315-I	Ivory	615624465472
TS315-G	Gray	615624465656





Catalog#: TS415
15A Four-Way, Self-Grounding Toggle Switches

Category
Page

Wiring Device
[E8](#)

Description:

15A, 120~277V Four Way, Self-Grounding

Features:

- 120~277 VAC
- #14 to #10AWG Side Wire or #14AWG Push-In Back Wire
- With Combination Head Screws
- Thermoplastic Toggle & Frame Construction
- Smooth Toggle Action

Packaging Info:

Std Pkg	10
Master Carton	200
Weight	

Cat. No.	Color	UPC
TS415-W	White	615624465809
TS415-I	Ivory	615624465793





Catalog#: TSL15-CL
15A Single Pole with Pilot Light Clear

Category
Page

Wiring Device
[E8](#)

Description:

15A, 120~277V Single Pole with Pilot Light, Clear

Features:

- 120~277 VAC
- #14 to #10AWG Side Wire or #14AWG Push-In Back Wire
- With Combination Head Screws
- Thermoplastic Toggle & Frame Construction
- Smooth Toggle Action

Packaging Info:

Std Pkg	10
Master Carton	200
Weight	

Cat. No.	UPC
TSL15-CL	615624466776





Catalog#: TSL315-CL
15A Three-Way with Pilot Light Clear

Category
Page

Wiring Device
[E8](#)

Description:

15A, 120V Three-Way with Pilot Light, Clear

Features:

- 120 VAC
- #14 to #10AWG Side Wire or #14AWG Push-In Back Wire
- With Combination Head Screws
- Thermoplastic Toggle & Frame Construction
- Smooth Toggle Action

Packaging Info:

Std Pkg	10
Master Carton	200
Weight	

Cat. No.	UPC
TSL315-CL	615624466783





Catalog#: 2DS15
Double Rocker Switch 15A Single-Pole

Category WIRING DEVICE
Page [E22](#)

Description:

Double Rocker Switch, 15A, 120~277V
 Single-Pole Side Wire Only

Features:

- 120~277 VAC
- Rocker-type
- Impact-Resistant Thermoplastic Body
- With Combination Head Screws

Packaging Info:

Std Pkg	10
Master Carton	200
Weight	

Cat. No.	Color	UPC
2DS15-W	White	615624466936
2DS15-I	Ivory	615624466943
*2DS15-BK	Black	615624466967
2DS15-A	Almond	615624466950

*While Supplies Last





Catalog#: 2TS15
Two 15A Single Pole Toggle Switches

Category
Page

Wiring Device
[E9](#)

Description:

Two 15A Single Pole Toggle Switches

Features:

- 125 VAC
- Impact-Resistant Thermoplastic Body
- With integral ground contacts locked into back, body, and face to prevent strap separation
- Up to #10AWG Side Wire
- With Combination Head Screws

Packaging Info:

Std Pkg	10
Master Carton	200
Weight	

Cat. No.	Color	UPC
2TS15-W	White	615624465748
2TS15-I	Ivory	615624465731





Catalog#: 3DS15

Triple Rocker Switch 15A Single-Pole Back wire only with ground pigtail

Category
Page

Wiring Device
[E9](#) / [J14](#)

Description:

Triple Rocker Switch, 15A, 120~277V
 Single-Pole Push-In Back Wire Only
 With Ground Pigtail

Features:

- 120~277 VAC
- Rocker-type
- Impact-Resistant Thermoplastic Body
- With Combination Head Screws

Packaging Info:

Std Pkg	10
Master Carton	200
Weight	

Cat. No.	UPC
3DS15-W	615624466974
3DS15-I	615624466981
3DS15-BK	615624467001
3DS15-A	615624466998





Catalog#: DRDS15
Rocker Switch 15A Receptacle

Category
Page

Wiring Device
[E9](#)

Description:

Rocker Switch, 15A, 120V Receptacle

Features:

- 120~277 VAC
- Rocker-type
- Impact-Resistant Thermoplastic Body
- With Combination Head Screws

Packaging Info:

Std Pkg	10
Master Carton	200
Weight	

Cat. No.	UPC
DRDS15-W	615624467018
DRDS15-I	615624467025
DRDS15-BK	615624467049
DRDS15-A	615624467032





Catalog#: PLTS15
15A Single Pole Toggle Switches & Neon Pilot Light

Category
Page

Wiring Device
[E9](#)

Description:

15A Single Pole Toggle Switch & Neon pilot Light

Features:

- 125 VAC
- Impact-Resistant Thermoplastic Body
- With integral ground contacts locked into back, body, and face to prevent strap separation
- Up to #10AWG Side Wire
- With Combination Head Screws

Packaging Info:

Std Pkg	10
Master Carton	200
Weight	

Cat. No.	Color	UPC
PLTS15-W	White	615624466813
PLTS15-I	Ivory	615624466820





Catalog#: RTS15
15A Single Pole Toggle Switches&15A Receptacle

Category
Page

Wiring Device
[E9](#)

Description:

15A Single Pole Toggle Switch & 15A Receptacle

Features:

- 125 VAC
- Impact-Resistant Thermoplastic Body
- With integral ground contacts locked into back, body, and face to prevent strap separation
- Up to #10AWG Side Wire
- With Combination Head Screws

Packaging Info:

Std Pkg	10
Master Carton	200
Weight	

Cat. No.	Color	UPC
RTS15-W	White	835243018211
RTS15-I	Ivory	835243018204



SPECIFICATION & FEATURES

Model No.: LD-1501

DESCRIPTION:

LED Decorative Dimmer - Single Pole

Dimming Control:

120VAC 60Hz

150W Dimmable LED/CFL

600W Incandescent

Ambient operating temperature: 32 °F to 104 °F
(0 °C to 40 °C), 0% to 90% humidity



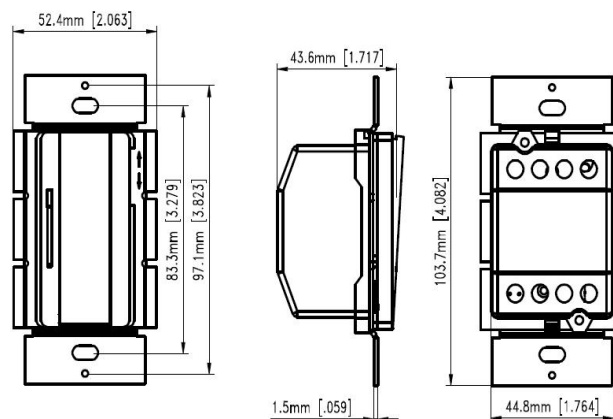
CERTIFICATION & CODE COMPLIANCE:

- UL Listed (E489287)
- Conforms to ANSI/UL1472
- California Title 24

FEATURES AND BENEFITS:

- Tough impact-resistant thermoplastic housing.
- Broad product offering to meet a wide variety of applications.
- Full-range dimming, lighting fade up and down smoothly allowing your eyes to adjust to changing light levels.
- Smooth-action slide control for easy precise operation.

LINE DRAWINGS / DIMENSION:



DIMMER CAPACITY CHART:

DERATING CHART			
	LOAD CAPACITY WHEN TABS ARE REMOVED		
	0 SIDE	1 SIDE	2 SIDES
INCANDESCENT	600W	500W	400W
LED/CFL	150W	150W	150W



SPECIFICATION & FEATURES

Model No.: LD-1503

DESCRIPTION:

LED Decorative Dimmer - Single Pole or Three Way

Dimming Control:

120VAC 60Hz

150W Dimmable LED/CFL

600W Incandescent

Ambient operating temperature: 32 °F to 104 °F

(0 °C to 40 °C), 0% to 90% humidity



CERTIFICATION & CODE COMPLIANCE:

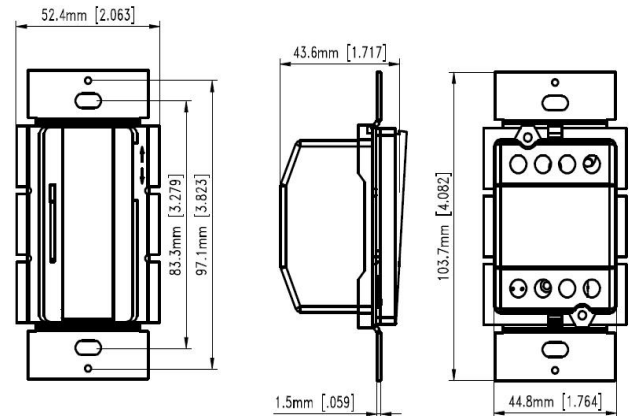
- UL Listed (E489287)
- Conforms to ANSI/UL1472
- California Title 24



FEATURES AND BENEFITS:

- Tough impact-resistant thermoplastic housing.
- Broad product offering to meet a wide variety of applications.
- Full-range dimming, lighting fade up and down smoothly allowing your eyes to adjust to changing light levels.
- Smooth-action slide control for easy precise operation.

LINE DRAWINGS / DIMENSION:



DIMMER CAPACITY CHART:

DERATING CHART			
	LOAD CAPACITY WHEN TABS ARE REMOVED		
	0 SIDE	1 SIDE	2 SIDES
INCANDESCENT	600W	500W	400W
LED/CFL	150W	150W	150W



SPECIFICATION & FEATURES

Model No.: LDS-1501

DESCRIPTION:

LED Decorative Dimmer - Single Pole

Dimming Control:

120VAC 60Hz

150W Dimmable LED/CFL

600W Incandescent

Ambient operating temperature: 32 °F to 104 °F
(0 °C to 40 °C), 0% to 90% humidity

CERTIFICATION & CODE COMPLIANCE:

- UL Listed (E489287)
- Conforms to ANSI/UL1472
- California Title 24

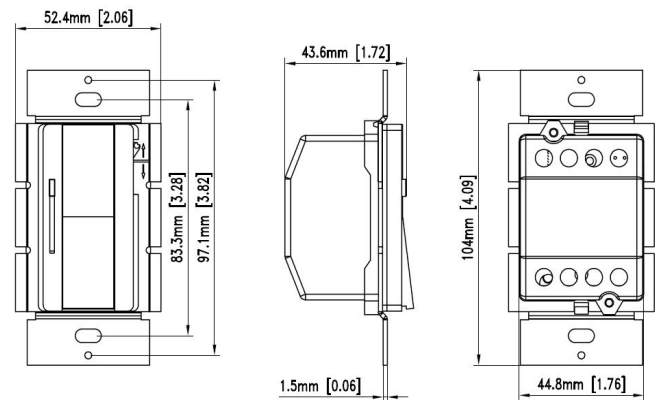
Sensitivity Knob:
UP: Brighter
↓
DOWN: Less Bright



FEATURES AND BENEFITS:

- Tough impact-resistant thermoplastic housing.
- Broad product offering to meet a wide variety of applications.
- Full-range dimming, lighting fade up and down smoothly allowing your eyes to adjust to changing light levels.
- Smooth-action slide control for easy precise operation.
- **Sensitivity knob for brightness control.**

LINE DRAWINGS / DIMENSION:



DIMMER CAPACITY CHART:

DERATING CHART			
	LOAD CAPACITY WHEN TABS ARE REMOVED		
	0 SIDE	1 SIDE	2 SIDES
INCANDESCENT	600W	500W	400W
LED/CFL	150W	150W	150W



SPECIFICATION & FEATURES

Model No.: LDS-1503

DESCRIPTION:

LED Decorative Dimmer - Single Pole or Three Way

Dimming Control:

120VAC 60Hz

150W Dimmable LED/CFL

600W Incandescent

Ambient operating temperature: 32 °F to 104 °F
(0 °C to 40 °C), 0% to 90% humidity

CERTIFICATION & CODE COMPLIANCE:

- UL Listed (E489287)
- Conforms to ANSI/UL1472
- California Title 24

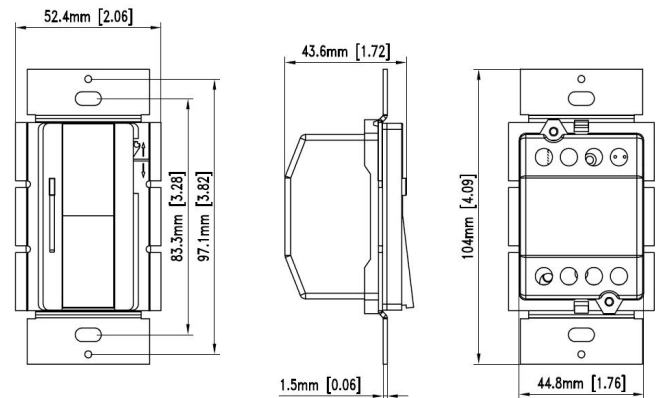
Sensitivity Knob:
UP: Brighter
↓
DOWN: Less Bright



FEATURES AND BENEFITS:

- Tough impact-resistant thermoplastic housing.
- Broad product offering to meet a wide variety of applications.
- Full-range dimming, lighting fade up and down smoothly allowing your eyes to adjust to changing light levels.
- Smooth-action slide control for easy precise operation.
- **Sensitivity knob for brightness control.**

LINE DRAWINGS / DIMENSION:



DIMMER CAPACITY CHART:

DERATING CHART			
	LOAD CAPACITY WHEN TABS ARE REMOVED		
	0 SIDE	1 SIDE	2 SIDES
INCANDESCENT	600W	500W	400W
LED/CFL	150W	150W	150W



SPECIFICATION & FEATURES

Model No.: LSD-1501

DESCRIPTION:

LED Slide Dimmer - Single Pole

Dimming Control:

120VAC 60Hz

150W Dimmable LED/CFL

700W Incandescent

Ambient operating temperature: 32 °F to 104 °F
(0 °C to 40 °C), 0% to 90% humidity

CERTIFICATION & CODE COMPLIANCE:

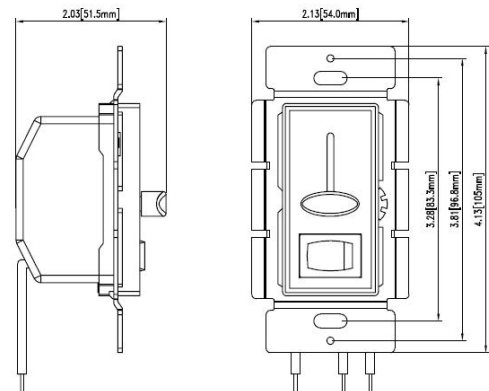
- ETL LISTED
- Conforms to ANSI/UL1472
- California Title 24



FEATURES AND BENEFITS:

- Tough impact-resistant thermoplastic housing.
- Broad product offering to meet a wide variety of applications.
- Full-range dimming, lighting fade up and down smoothly allowing your eyes to adjust to changing light levels.
- Smooth-action slide control for easy precise operation.

LINE DRAWINGS / DIMENSION:



DIMMER CAPACITY CHART:

DERATING CHART			
	LOAD CAPACITY WHEN TABS ARE REMOVED		
	0 SIDE	1 SIDE	2 SIDES
INCANDESCENT	700W	600W	500W
LED/CFL	150W	150W	150W



SPECIFICATION & FEATURES

Model No.: LSD-1503

DESCRIPTION:

LED Slide Dimmer - Single Pole or Three Way

Dimming Control:

120VAC 60Hz

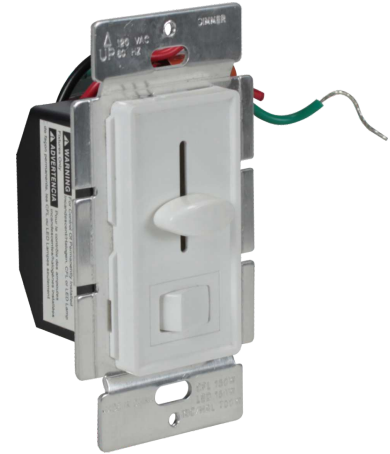
150W Dimmable LED/CFL

700W Incandescent

Ambient operating temperature: 32 °F to 104 °F
(0 °C to 40 °C), 0% to 90% humidity

CERTIFICATION & CODE COMPLIANCE:

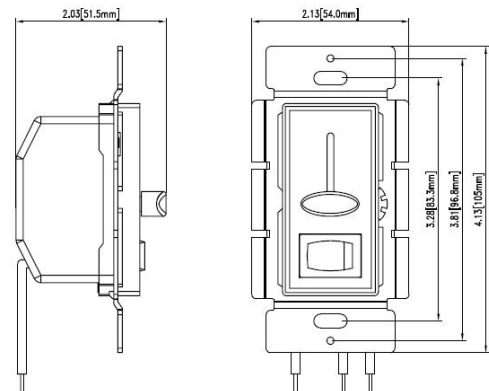
- ETL LISTED
- Conforms to ANSI/UL1472
- California Title 24



FEATURES AND BENEFITS:

- Tough impact-resistant thermoplastic housing.
- Broad product offering to meet a wide variety of applications.
- Full-range dimming, lighting fade up and down smoothly allowing your eyes to adjust to changing light levels.
- Smooth-action slide control for easy precise operation.

LINE DRAWINGS / DIMENSION:



DIMMER CAPACITY CHART:

DERATING CHART			
	LOAD CAPACITY WHEN TABS ARE REMOVED		
	0 SIDE	1 SIDE	2 SIDES
INCANDESCENT	700W	600W	500W
LED/CFL	150W	150W	150W





Catalog#: D600
700W, Single-Pole

Category
Page

Wiring Device
[E13](#)

Description:

700W, Single-Pole

Features:

- 120 VAC
- 700W Max. Rating
- Fits Decorative/GFCI Wall Plates

Packaging Info:

Std Pkg 10
 Weight

Cat. No.	Color	UPC
D600-W	White	615624466028
D600-I	Ivory	615624466035





Catalog#: D603SL

**700W, Single-Pole/3-Way with Preset Switch
 With LED Light, glows when lights are off**

Category
Page

Wiring Device
[E13](#)

Description:

700W, Single-Pole/3-Way with Preset Switch
 With LED Light, glows when lights are off

Features:

- 120 VAC
- 700W Max. Rating
- Fits Decorative/GFCI Wall Plates

Packaging Info:

Std Pkg 10
 Weight

Cat. No.	Color	UPC
D603SL-W	White	615624466042
D603SL-I	Ivory	615624466059
D603SL-A	Almond	615624466066
D603SL-BK	Black	615624466769





Catalog#: RD600
Single-Pole Rotary Dimmer, Turn to On

Category Wiring Device
Page [E13](#)

Description:

Single-Pole Rotary Dimmer, Turn to ON

Features:

- 120 VAC
- 600W
- With #18AWG Cable Leads

Packaging Info:

Std Pkg 10
 Weight

Cat. No.	Color	UPC
RD600-W	White	615624467315
RD600-I	Ivory	615624467308





Catalog#: RDK
Replacement Knob for Rotary Dimmers

Category Wiring Device
Page [E13](#)

Description:

Replacement Knob for Rotary Dimmers

Features:

- 120 VAC
- 600W
- With #18AWG Cable Leads

Packaging Info:

Std Pkg 10
 Weight

Cat. No.	Color	UPC
RDK-W	White	615624467346
RDK-I	Ivory	615624467339





Catalog#: RDP603
Single-Pole / 3-Way Rotary Dimmer Push On/Off Preset

Category Wiring Device
Page [E13](#)

Description:

Single-Pole/3-Way, Rotary Dimmer
 Push On/Off Preset

Features:

- 120 VAC
- 600W
- With #18AWG Cable Leads

Packaging Info:

Std Pkg 10
 Weight

Cat. No.	Color	UPC
RDP603-W	White	615624467322





Catalog#: SDH
Slide Dimmer Replacement Handle

Category Wiring Device
Page [E13](#)

Description:

Slide Dimmer Replacement Handle

Features:

- 120 VAC
- 700W Max. Rating
- Fits Decorative/GFCI Wall Plates

Packaging Info:

Std Pkg 10
 Weight

Cat. No.	Color	UPC
SDH-W	White	615624467544
SDH-I	Ivory	615624467551
SDH-A	Almond	615624467568





Catalog#: FD503
Single-Pole/3-Way Slide and Switch with Light

Category Wiring Device
Page [E14](#)

Description:

Single-Pole/3-Way Slide and Switch with Light

Features:

- 120 VAC
- 600W
- Magnetic Ballast Only
- Fits Decorative/GFCI Wallplates

Packaging Info:

Std Pkg 10
 Weight

Cat. No.	Color	UPC
FD503-W	White	615624467544
FD503-I	Ivory	615624467551





Catalog#: TIE-7
7-Day Heavy Duty Digital In-Wall timer,120VAC,60Hz

Category Wiring Device
Page [E14](#)

Description:

7-Day Heavy-Duty Digital In-Wall Timer
 120VAC, 60Hz

Features:

- Automatic or Manual operation
- Push control cover to switch ON/OFF at any time
- Program up to 16 ON/OFF settings per week
- Large digital LCD display
- 3 year warranty
- Standard decorative wall plate included
- Built-in memory holds settings indefinitely without power

Specifications:

Resistive Rating	15A, 1800W
Tungsten Rating	1200W
Motor Load	1/2HP

Packaging Info:

Std Pkg	10
Weight	

Cat. No.	UPC
TIE-7	615624467445





Catalog#: DWJ-64
1-RJ11 Jack Decorative Modular Wall Jacks

Category WIRING DEVICE
Page [E25](#)

Description:

1 - RJ11 Jack
 RJ11 Jacks: 6 Positions, 4 Conductors
 Screw Terminals

Features:

- Two-Piece
- Standard-Size
Decorative Wallplate Size
(2-3/4" W x 4-1/2" H)
- Smooth Finish
- Includes Mounting Hardware

Packaging Info:

Std Pkg 25
 Master Carton 200
 Weight

Cat. No.	Color	UPC
DWJ-64-W	White	615624466561

* While Supplies Last





Catalog#: DWJ-F
1-F-Connector Decorative Modular Wall Jack

Category WIRING DEVICE
Page [E25](#)

Description:

1 - F-Connector
 F-Coupling: F-Type Coupler Bulkhead
 Female to Female

Features:

- Two-Piece
- Standard-Size
Decorative Wallplate Size
(2-3/4" W x 4-1/2" H)
- Smooth Finish
- Includes Mounting Hardware

Packaging Info:

Std Pkg 25
 Master Carton 200
 Weight

Cat. No.	Color	UPC
DWJ-F-W	White	615624466608

* While Supplies Last





Catalog#: WJ-64F
1-RJ11 Jack & F-Connector

Category WIRING DEVICE
Page [E25](#)

Description:

- 1 - RJ11 Jack & F-Connector
- RJ11 Jacks: 6 Positions, 4 Conductors
- Screw Terminals
- F-Coupling: F-type Coupler Bulkhead
- Female to Female

Features:

- Standard Wallplate Size
(2-3/4" W x 4-1/2" H)
- Smooth Finish
- Includes Mounting Hardware

Packaging Info:

Std Pkg	50
Master Carton	200
Weight	

Cat. No.	Color	UPC
WJ-64F-W	White	615624466486

* While Supplies Last





Catalog#: WJ-88

1 - RJ45 Jack Modular Wall Jacks

Category
Page

Wiring Device
[E15](#)

Description:

- 1 - RJ45 Jack
- RJ45 CAT5e
 - 110 Type LAN
 - 8 positions, 8 Conductors
 - Keystone Jacks

Features:

- Standard Wallplate Size
(2-3/4" W x 4-1/2" H)
- Smooth Finish
- Includes Mounting Hardware
- Inserted Modular Plates with Decorative Groove

Packaging Info:

Std Pkg	25
Master Carton	200
Weight	

Cat. No.	Color	UPC
WJ-88-W	White	615624466424





Catalog#: OPS26
2-Piece, 1-Gang Snap-On Decorative Lexan Wallplates

Category WIRING DEVICE
Page [E26](#)

Description:

1 Gang Lexan Wallplate

Features:

- Resistant to High Abuse
- 2-Piece
(Bracket & Snap-On Face)
- Screw-less Wallplates

Packaging Info:

Std Pkg 25
 Master Carton 200
 Weight

Cat. No.	Color	UPC
OPS26-W	White	615624466837
OPS26-I	Ivory	615624466868
*OPS26-BK	Black	615624466851
OPS26-A	Almond	615624466844

*While Supplies Last





Catalog#: OPS262
2-Piece, 2-Gangs Snap-On Decorative Lexan Wallplates

Category WIRING DEVICE
Page [E26](#)

Description:

2 Gang Lexan Wallplate

Features:

- Resistant to High Abuse
- 2-Piece
(Bracket & Snap-On Face)
- Screw-less Wallplates

Packaging Info:

Std Pkg 25
 Master Carton 200
 Weight

Cat. No.	Color	UPC
OPS262-W	White	615624466875
OPS262-I	Ivory	615624466905
*OPS262-BK	Black	615624466899
OPS262-A	Almond	615624466882

*While Supplies Last





Catalog#: OPS263
2-Piece, 3-Gangs Snap-On Decorative Lexan Wallplates

Category Wiring Device
Page [E16](#)

Description:

3 Gang Lexan Wallplate

Features:

- Resistant to High Abuse
- 2-Piece
(Bracket & Snap-On Face)
- Screw-less Wallplates

Packaging Info:

Std Pkg 10
 Master Carton 200
 Weight

Cat. No.	Color	UPC
OPS263-W	White	615624467056
OPS263-A	Almond	615624467063





Catalog#: OPS264
2-Piece, 4-Gangs Snap-On Decorative Lexan Wallplate

Category Wiring Device
Page [E16](#)

Description:

4 Gang Lexan Wallplate

Features:

- Resistant to High Abuse
- 2-Piece
(Bracket & Snap-On Face)
- Screw-less Wallplates

Packaging Info:

Std Pkg 10
 Master Carton 200
 Weight

Cat. No.	Color	UPC
OPS264-W	White	615624467070
OPS264-A	Almond	615624467087





Catalog#: OPS265
2-Piece, 5-Gangs Snap-On Decorative Lexan Wallplates

Category Wiring Device
Page [E16](#)

Description:

5 Gang Lexan Wallplate

Features:

- Resistant to High Abuse
- 2-Piece
(Bracket & Snap-On Face)
- Screw-less Wallplates

Packaging Info:

Std Pkg 10
 Master Carton 200
 Weight

Cat. No.	Color	UPC
OPS265-W	White	615624467094
OPS265-A	Almond	615624467100





Catalog#: OP1
1-Gang Toggle Switch Standard Size Lexan Wallplate

Category Wiring Device
Page [E17](#)

Description:

1 Gang Toggle Switch
 Standard Size Lexan Wallplate

Features:

- Resistant to High Abuse
- Painted Screws Included

Packaging Info:

Std Pkg 25
 Master Carton 200
 Weight

Cat. No.	Color	UPC
OP1-W	White	615624900072
OP1-I	Ivory	615624900065
OP1-G	Gray	615624900058





Catalog#: OP2
2-Gangs Toggle Switch Standard Size Lexan Wallplate

Category Wiring Device
Page [E17](#)

Description:

2 Gang Toggle Switch
 Standard Size Lexan Wallplate

Features:

- Resistant to High Abuse
- Painted Screws Included

Packaging Info:

Std Pkg 25
 Master Carton 200
 Weight

Cat. No.	Color	UPC
OP2-W	White	615624900232
OP2-I	Ivory	615624900225
OP2-G	Gray	615624900218





Catalog#: OP3
3-Gangs Toggle Switch Standard Size Lexan Wallplates

Category Wiring Device
Page [E17](#)

Description:

3 Gang Toggle Switch
 Standard Size Lexan Wallplate

Features:

- Resistant to High Abuse
- Painted Screws Included

Packaging Info:

Std Pkg 10
 Master Carton 200
 Weight

Cat. No.	Color	UPC
OP3-W	White	615624900461
OP3-I	Ivory	615624900478





Catalog#: OP4
4-Gangs Toggle Switch Standard Size Lexan Wallplates

Category Wiring Device
Page [E17](#)

Description:

4 Gang Toggle Switch
 Standard Size Lexan Wallplate

Features:

- Resistant to High Abuse
- Painted Screws Included

Packaging Info:

Std Pkg 10
 Master Carton 200
 Weight

Cat. No.	Color	UPC
OP4-W	White	615624900492
OP4-I	Ivory	615624900485





Catalog#: OP5
5-Gangs Toggle Switch Standard Size Lexan Wallplate

Category Wiring Device
Page [E17](#)

Description:

5 Gang Toggle Switch
 Standard Size Lexan Wallplate

Features:

- Resistant to High Abuse
- Painted Screws Included

Packaging Info:

Std Pkg 10
 Master Carton 200
 Weight

Cat. No.	Color	UPC
OP5-W	White	615624900515
OP5-I	Ivory	615624900508





Catalog#: OP6
6-Gangs Toggle Switch Standard Size Lexan Wallplates

Category Wiring Device
Page [E17](#)

Description:

6 Gang Toggle Switch
 Standard Size Lexan Wallplate

Features:

- Resistant to High Abuse
- Painted Screws Included

Packaging Info:

Std Pkg 10
 Master Carton 200
 Weight

Cat. No.	Color	UPC
OP6-W	White	615624900539
OP6-I	Ivory	615624900522





Catalog#: OP8
1-Gang Duplex Receptacle Standard Size Lexan Wallplate

Category Wiring Device
Page [E17](#)

Description:

1 Gang Duplex Receptacle
 Standard Size Lexan Wallplate

Features:

- Resistant to High Abuse
- Painted Screws Included

Packaging Info:

Std Pkg 25
 Master Carton 200
 Weight

Cat. No.	Color	UPC
OP8-W	White	615624900539
OP8-I	Ivory	615624900553
OP8-G	Gray	615624900546
OP8-O	Orange	615624901475
OP8-R	Red	615624901482





Catalog#: OP82
2-Gangs Duplex Receptacle Standard Size Lexan Wallplate

Category Wiring Device
Page [E17](#)

Description:

2 Gang Duplex Receptacle
 Standard Size Lexan Wallplate

Features:

- Resistant to High Abuse
- Painted Screws Included

Packaging Info:

Std Pkg	25
Master Carton	200
Weight	

Cat. No.	Color	UPC
OP82-W	White	615624900614
OP82-I	Ivory	615624900607
OP82-O	Orange	615624901499
OP82-R	Red	615624901505





Catalog#: OP83
3-Gangs Duplex Receptacle Standard Size Lexan Wallplates

Category Wiring Device
Page [E17](#)

Description:

3 Gang Duplex Receptacle
 Standard Size Lexan Wallplate

Features:

- Resistant to High Abuse
- Painted Screws Included

Packaging Info:

Std Pkg	10
Master Carton	200
Weight	

Cat. No.	Color	UPC
OP83-W	White	615624900652
OP83-I	Ivory	615624900645





Catalog#: OP84
4-Gangs Duplex Receptacle Standard Size Lexan Wallplate

Category Wiring Device
Page [E17](#)

Description:

4 Gang Duplex Receptacle
 Standard Size Lexan Wallplate

Features:

- Resistant to High Abuse
- Painted Screws Included

Packaging Info:

Std Pkg 10
 Master Carton 200
 Weight

Cat. No.	Color	UPC
OP84-W	White	615624900676
OP84-I	Ivory	615624900669





Catalog#: OP85
5-Gang Duplex Receptacle Lexan Wallplate

Category Wiring Device
Page [E17](#)

Description:

5 Gang Duplex Receptacle
 Standard Size Lexan Wallplate

Features:

- Resistant to High Abuse
- Painted Screws Included

Packaging Info:

Std Pkg 10
 Master Carton 200
 Weight

Cat. No.	Color	UPC
OP85-W	White	615624900706
OP85-I	Ivory	615624900690





Catalog#: OP86
6-Gangs Duplex Receptacle Standard Size Lexan Wallplate

Category Wiring Device
Page [E17](#)

Description:

6 Gang Duplex Receptacle
 Standard Size Lexan Wallplate

Features:

- Resistant to High Abuse
- Painted Screws Included

Packaging Info:

Std Pkg	10
Master Carton	200
Weight	

Cat. No.	Color	UPC
OP86-W	White	615624900997
OP86-I	Ivory	615624900980





Catalog#: OP7

**1-Gang, 1.406" Dia. Single Receptacle
 Standard Size Lexan Wallplate**

Category Wiring Device
Page [E18](#)

Description:

1 Gang Single Receptacle, 1.406" Dia.
 Standard Size Lexan Wallplate

Features:

- Resistant to High Abuse
- Painted Screws Included

Packaging Info:

Std Pkg 25
 Master Carton 200
 Weight

Cat. No.	Color	UPC
OP7-W	White	615624900744
OP7-I	Ivory	615624900737





Catalog#: OP11

**1-Gang, 0.406" DIA. Phone/Cable
 Standard Size Lexan Wallplate**

Category WIRING DEVICE
Page [E28](#)

Description:

1 Gang Phone/Cable, 0.406" Dia.
 Standard Size Lexan Wallplate

Features:

- Resistant to High Abuse
- Painted Screws Included

Packaging Info:

Std Pkg 25
 Master Carton 200
 Weight

Cat. No.	Color	UPC
OP11-W	White	615624900096
OP11-I	Ivory	615624900089
*OP11-BK	Black	615624901093
OP11-A	Almond	615624901086

*While Supplies Last





Catalog#: OP13

**1 Gang Blank (Box Mount)
 Standard Size Lexan Wallplate**

Category WIRING DEVICE
Page [E28](#)

Description:

1 Gang Blank (Box Mount)
 Standard Size Lexan Wallplate

Features:

- Resistant to High Abuse
- Painted Screws Included

Packaging Info:

Std Pkg 25
 Master Carton 200
 Weight

Cat. No.	Color	UPC
OP13-W	White	615624900157
OP13-I	Ivory	615624900140
OP13-A	Almond	615624900836
OP13-G	Gray	615624900812





Catalog#: OP21
2-Gangs, 0.406" DIA. Phone/Cable

Category WIRING DEVICE
Page [E28](#)

Description:

1 Gang Phone/Cable, 0.406" Dia.
 Standard Size Lexan Wallplate

Features:

- Resistant to High Abuse
- Painted Screws Included

Packaging Info:

Std Pkg 25
 Master Carton 200
 Weight

Cat. No.	Color	UPC
OP21-W	White	615624465014
OP21-I	Ivory	615624465007
*OP21-BK	Black	615624901031
OP21-A	Almond	615624901024

*While Supplies Last





Catalog#: OP23

**2-Gangs Blank (Box Mount)
Standard Size Lexan Wallplate**

Category WIRING DEVICE
Page [E28](#)

Description:

2 Gang Blank (Box Mount)
Standard Size Lexan Wallplate

Features:

- Resistant to High Abuse
- Painted Screws Included

Packaging Info:

Std Pkg 25
 Master Carton 200

Cat. No.	Color	UPC
OP23-W	White	615624900270
OP23-I	Ivory	615624900263
*OP23-BK	Black	615624901543
OP23-A	Almond	615624901420
OP23-G	Gray	615624901550

*While Supplies Last





Catalog#: OP26

**1-Gang Decorative Switch or GFI
Standard Size Lexan Wallplate**

Category WIRING DEVICE
Page [E28](#)

Description:

1 Gang Decorative or GFCI
Standard Size Lexan Wallplate

Features:

- Resistant to High Abuse
- Painted Screws Included

Packaging Info:

Std Pkg 25
 Master Carton 200
 Weight

Cat. No.	Color	UPC
OP26-W	White	615624900300
OP26-I	Ivory	615624900294
*OP26-BK	Black	615624900287
OP26-A	Almond	615624900805

*While Supplies Last





Catalog#: OP33

**3-Gangs Blank (Box Mount)
 Standard Size Lexan Wallplate**

Category WIRING DEVICE
Page [E28](#)

Description:

3 Gang Blank (Box Mount)
 Standard Size Lexan Wallplate

Features:

- Resistant to High Abuse
- Painted Screws Included

Packaging Info:

Std Pkg	10
Master Carton	200
Weight	

Cat. No.	Color	UPC
OP33-W	White	615624465038
OP33-I	Ivory	615624465021
OP33-A	Almond	615624901048





Catalog#: OP43

**4 Gangs Blank (Box Mount)
 Standard Size Lexan Wallplate**

Category WIRING DEVICE
Page [E28](#)

Description:

4 Gang Blank (Box Mount)
 Standard Size Lexan Wallplate

Features:

- Resistant to High Abuse
- Painted Screws Included

Packaging Info:

Std Pkg	10
Master Carton	200
Weight	

Cat. No.	Color	UPC
OP43-W	White	615624465052
OP43-I	Ivory	615624465045
OP43-A	Almond	615624901062





Catalog#: OP72

**2-Gangs 1.406" Single Receptacle
 Standard Size Lexan Wallplate**

Category Wiring Device
Page [E18](#)

Description:

2 Gang, Single Receptacle, 1.406" Dia.
 Standard Size Lexan Wallplate

Features:

- Resistant to High Abuse
- Painted Screws Included

Packaging Info:

Std Pkg 25
 Master Carton 200
 Weight

Cat. No.	Color	UPC
OP72-W	White	615624900720
OP72-I	Ivory	615624900713





Catalog#: OP262

**2-Gangs Decorative Switch or GFCI
 Standard Size Lexan Wallplate**

Category WIRING DEVICE
Page [E28](#)

Description:

2 Gang Decorative or GFCI
 Standard Size Lexan Wallplate

Features:

- Resistant to High Abuse
- Painted Screws Included

Packaging Info:

Std Pkg 25
 Master Carton 200
 Weight

Cat. No.	Color	UPC
OP262-W	White	615624900331
OP262-I	Ivory	615624900324
*OP262-BK	Black	615624900317
OP262-A	Almond	615624901536

*While Supplies Last





Catalog#: OP263

**3-Gangs Decorative Switch or GFCI
 Standard Size Lexan Wallplate**

Category WIRING DEVICE
Page [E28](#)

Description:

3 Gang Decorative or GFCI
 Standard Size Lexan Wallplate

Features:

- Resistant to High Abuse
- Painted Screws Included

Packaging Info:

Std Pkg	10
Master Carton	200
Weight	

Cat. No.	Color	UPC
OP263-W	White	615624900362
OP263-I	Ivory	615624900355
*OP263-BK	Black	615624900348
OP263-A	Almond	615624900751

*While Supplies Last





Catalog#: OP264

**4-Gangs Decorative Switch or GFCI
 Standard Size Lexan Wallplate**

Category WIRING DEVICE
Page [E28](#)

Description:

4 Gang Decorative or GFCI
 Standard Size Lexan Wallplate

Features:

- Resistant to High Abuse
- Painted Screws Included

Packaging Info:

Std Pkg	10
Master Carton	200
Weight	

Cat. No.	Color	UPC
OP264-W	White	615624900393
OP264-I	Ivory	615624900386
*OP264-BK	Black	615624900379
OP264-A	Almond	615624900768

*While Supplies Last





Catalog#: OP265

**5-Gangs Decorative Switch or GFCI
Standard Size Lexan Wallplate**

Category WIRING DEVICE
Page [E28](#)

Description:

5 Gang Decorative or GFCI
Standard Size Lexan Wallplate

Features:

- Resistant to High Abuse
- Painted Screws Included

Packaging Info:

Std Pkg	10
Master Carton	200
Weight	

Cat. No.	Color	UPC
OP265-W	White	615624900423
OP265-I	Ivory	615624900416
*OP265-BK	Black	615624900409
OP265-A	Almond	615624900782

*While Supplies Last





Catalog#: OP266

**6-Gangs Decorative Switch or GFCI
Standard Size Lexan Wallplate**

Category WIRING DEVICE
Page [E28](#)

Description:

6 Gang Decorative or GFCI
Standard Size Lexan Wallplate

Features:

- Resistant to High Abuse
- Painted Screws Included

Packaging Info:

Std Pkg 10
 Master Carton 200
 Weight

Cat. No.	Color	UPC
OP266-W	White	615624900454
OP266-I	Ivory	615624900447
*OP266-BK	Black	615624900430
OP266-A	Almond	615624900799

*While Supplies Last





Catalog#: OP737

**1-Gang, 0.625" Dia. Doorbell Push Button
 Standard Size Lexan Wallplate**

Category Wiring Device
Page [E18](#)

Description:

1 Gang, Doorbell Push Button, 0.625" Dia.
 Standard Size Lexan Wallplate

Features:

- Resistant to High Abuse
- Painted Screws Included

Packaging Info:

Std Pkg 25
 Master Carton 200
 Weight

Cat. No.	Color	UPC
OP737-W	White	615624901406
OP737-I	Ivory	615624901390





Catalog#: OP17

**2-Gangs, Toggle Switch & 1.406" S.R.
 Standard Size Lexan Wallplate**

Category
Page

WIRING DEVICE
[E29](#)

Description:

2 Gang, Toggle Switch & 1.406" S.R.
 Standard Size Lexan Wallplate

Features:

- Resistant to High Abuse
- Painted Screws Included
- Available in Plastic or Painted Steel

Packaging Info:

Std Pkg	25
Master Carton	200
Weight	

Cat. No.	Color	UPC
OP17-W	White	615624900973





Catalog#: OP18

**2-Gangs, Toggle Switch & Duplex
Standard Size Lexan Wallplate**

Category
Page

Wiring Device
[E19](#)

Description:

2 Gang, Toggle Switch & Duplex
Standard Size Lexan Wallplate

Features:

- Resistant to High Abuse
- Painted Screws Included

Packaging Info:

Std Pkg	25
Master Carton	200
Weight	

Cat. No.	Color	UPC
OP18-W	White	615624900201
OP18-I	Ivory	615624900195





Catalog#: OP28

**3-Gangs, 2 Switches & 1 Duplex
 Standard Size Lexan Wallplate**

Category Wiring Device
Page [E19](#)

Description:

3 Gang, 2 Switches & 1 Duplex
 Standard Size Lexan Wallplate

Features:

- Resistant to High Abuse
- Painted Screws Included

Packaging Info:

Std Pkg	10
Master Carton	200
Weight	

Cat. No.	Color	UPC
OP28-W	White	615624900881
OP28-I	Ivory	615624900874





Catalog#: OP87

**2-Gangs, Duplex & 1.406" S.R.
Standard Size Lexan Wallplate**

Category
Page

Wiring Device
[E19](#)

Description:

2 Gang, Duplex & 1.406" S.R.
Standard Size Lexan Wallplate

Features:

- Resistant to High Abuse
- Painted Screws Included

Packaging Info:

Std Pkg	25
Master Carton	200
Weight	

Cat. No.	Color	UPC
OP87-W	White	615624900638
OP87-I	Ivory	615624900621





Catalog#: OP113

**2-Gangs Blank/Toggle Switch
 Standard Size Lexan Wallplate**

Category
Page

Wiring Device
[E19](#)

Description:

2 Gang, Blank & Toggle Switch
 Standard Size Lexan Wallplate

Features:

- Resistant to High Abuse
- Painted Screws Included

Packaging Info:

Std Pkg	25
Master Carton	200
Weight	

Cat. No.	Color	UPC
OP113-W	White	615624900119
OP113-I	Ivory	615624900102





Catalog#: OP126

**2-Gangs, Toggle Switch & Decorative or GFCI
 Standard Size Lexan Wallplate**

Category
Page

Wiring Device
[E19](#)

Description:

2 Gang, Toggle Switch & Decorative or GFCI
 Standard Size Lexan Wallplate

Features:

- Resistant to High Abuse
- Painted Screws Included

Packaging Info:

Std Pkg	25
Master Carton	200
Weight	

Cat. No.	Color	UPC
OP126-W	White	615624900133
OP126-I	Ivory	615624900126





Catalog#: OP226

**3-Gangs, 2 Toggle Switches & 1 Decorative or GFCI
 Standard Size Lexan Wallplate**

Category Wiring Device
Page [E19](#)

Description:

3 Gang, 2 Toggle Switches & Decorative or GFCI
 Standard Size Lexan Wallplate

Features:

- Resistant to High Abuse
- Painted Screws Included

Packaging Info:

Std Pkg 10
 Master Carton 200
 Weight

Cat. No.	Color	UPC
OP226-W	White	615624900256
OP226-I	Ivory	615624900249





Catalog#: OP813

**2-Gangs, Blank/Duplex
Standard Size Lexan Wallplate**

Category Wiring Device
Page [E19](#)

Description:

2 Gang, Blank & Duplex
Standard Size Lexan Wallplate

Features:

- Resistant to High Abuse
- Painted Screws Included

Packaging Info:

Std Pkg	25
Master Carton	200
Weight	

Cat. No.	Color	UPC
OP813-W	White	615624900584
OP813-I	Ivory	615624900577





Catalog#: OP826

**2-Gangs, Duplex & Decorative or GFCI
 Standard Size Lexan Wallplate**

Category Wiring Device
Page [E19](#)

Description:

2 Gang, Duplex & Decorative or GFCI
 Standard Size Lexan Wallplate

Features:

- Resistant to High Abuse
- Painted Screws Included

Packaging Info:

Std Pkg 25
 Master Carton 200
 Weight

Cat. No.	Color	UPC
OP826-W	White	615624900638
OP826-I	Ivory	615624900621





Catalog#: OP1426

**2-Gangs Blank(Strap) & Decorative or GFCI
 Standard Size Lexan Wallplate**

Category WIRING DEVICE
Page [E29](#)

Description:

2 Gang, Blank (Strap) & Decorative or GFCI
 Standard Size Lexan Wallplate

Features:

- Resistant to High Abuse
- Painted Screws Included

Packaging Info:

Std Pkg 25
 Master Carton 200
 Weight

Cat. No.	Color	UPC
OP1426-W	White	615624900188
OP1426-I	Ivory	615624900171
*OP1426-BK	Black	615624900164
OP1426-A	Almond	615624901345

*While Supplies Last





Catalog#: OS703-P

**2-Gangs, Painted Steel Power Outlet, 2.156" Dia.
 Standard Size Lexan Wallplate**

Category WIRING DEVICE
Page [E29](#)

Description:

2 Gang, Painted Steel Power Outlet, 2.156" Dia.
 Standard Size Lexan Wallplate

Features:

- Resistant to High Abuse
- Painted Screws Included

Packaging Info:

Std Pkg 25
 Master Carton 200
 Weight

Cat. No.	Color	UPC
OS703-P-W	White	615624901451





Catalog#: OS724-P

**1-Gang, Painted Steel Power Outlet, 2.156" Dia.
 Standard Size Lexan Wallplate**

Category Wiring Device
Page [E19](#)

Description:

1 Gang, Painted Steel Power Outlet, 2.156" Dia.
 Standard Size Lexan Wallplate

Features:

- Resistant to High Abuse
- Painted Screws Included

Packaging Info:

Std Pkg 25
 Master Carton 200
 Weight

Cat. No.	Color	UPC
OS724-P-W	White	615624901437
OS724-P-I	Ivory	615624901444





Catalog#: OPM1

**1-Gang, Toggle Switch
 Mid-Size Lexan Wallplate**

Category
Page

Wiring Device
[E20](#)

Description:

1 Gang, Toggle Switch
 Mid-Size Lexan Wallplate

Features:

- 3/8" Wider and 3/8" Higher than Standard Size Wallplates
- Resistant to High Abuse
- Painted Screws Included

Packaging Info:

Std Pkg 25
 Master Carton 200
 Weight

Cat. No.	Color	UPC
OPM1-W	White	615624901185
OPM1-I	Ivory	615624901192





Catalog#: OPM2

**2-Gangs, Toggle Switch
 Mid-Size Lexan Wallplate**

Category
Page

Wiring Device
[E20](#)

Description:

2 Gang, Toggle Switch
 Mid-Size Lexan Wallplate

Features:

- 3/8" Wider and 3/8" Higher than Standard Size Wallplates
- Resistant to High Abuse
- Painted Screws Included

Packaging Info:

Std Pkg	25
Master Carton	200
Weight	

Cat. No.	Color	UPC
OPM2-W	White	615624901208
OPM2-I	Ivory	615624901215





Catalog#: OPM8

**1-Gang, Duplex Receptacle
 Mid-Size Lexan Wallplate**

Category
Page

Wiring Device
[E20](#)

Description:

1 Gang, Duplex Receptacle
 Mid-Size Lexan Wallplate

Features:

- 3/8" Wider and 3/8" Higher than Standard Size Wallplates
- Resistant to High Abuse
- Painted Screws Included

Packaging Info:

Std Pkg	25
Master Carton	200
Weight	

Cat. No.	Color	UPC
OPM8-W	White	615624901147
OPM8-I	Ivory	615624901154





Catalog#: OPM13
1-Gang, Blank (Box Mount) Mid-Size Lexan Wallplates

Category Wiring Device
Page [E20](#)

Description:

1 Gang, Blank (Box Mount)
 Mid-Size Lexan Wallplate

Features:

- 3/8" Wider and 3/8" Higher than Standard Size Wallplates
- Resistant to High Abuse
- Painted Screws Included

Packaging Info:

Std Pkg 25
 Master Carton 200
 Weight

Cat. No.	Color	UPC
OPM13-W	White	615624901222
OPM13-I	Ivory	615624901239





Catalog#: OPM18

**2-Gangs, Toggle Switch and Duplex Receptacle
 Mid-Size Lexan Wallplate**

Category Wiring Device
Page [E20](#)

Description:

2 Gang, Toggle Switch & Duplex Receptacle
 Mid-Size Lexan Wallplate

Features:

- 3/8" Wider and 3/8" Higher than Standard Size Wallplates
- Resistant to High Abuse
- Painted Screws Included

Packaging Info:

Std Pkg 25
 Master Carton 200
 Weight

Cat. No.	Color	UPC
OPM18-W	White	835243018006
OPM18-I	Ivory	835243018013





Catalog#: OPM23

**2-Gangs, Blank (Box Mount)
 Mid-Size Lexan Wallplate**

Category
Page

Wiring Device
[E20](#)

Description:

2 Gang, Blank (Box Mount)
 Mid-Size Lexan Wallplate

Features:

- 3/8" Wider and 3/8" Higher than Standard Size Wallplates
- Resistant to High Abuse
- Painted Screws Included

Packaging Info:

Std Pkg	25
Master Carton	200
Weight	

Cat. No.	Color	UPC
OPM23-W	White	835243017962
OPM23-I	Ivory	835243017979





Catalog#: OPM26

**1-Gang, Decorative Switch or GFCI
 Mid-Size Lexan Wallplate**

Category Wiring Device
Page [E20](#)

Description:

1 Gang, Decorative or GFCI
 Mid-Size Lexan Wallplate

Features:

- 3/8" Wider and 3/8" Higher than Standard Size Wallplates
- Resistant to High Abuse
- Painted Screws Included

Packaging Info:

Std Pkg 25
 Master Carton 200
 Weight

Cat. No.	Color	UPC
OPM26-W	White	615624901109
OPM26-I	Ivory	615624901116





Catalog#: OPM82

**2-Gangs, Duplex Receptacle
 Mid-Size Lexan Wallplate**

Category Wiring Device
Page [E20](#)

Description:

2 Gang, Duplex Receptacle
 Mid-Size Lexan Wallplate

Features:

- 3/8" Wider and 3/8" Higher than Standard Size Wallplates
- Resistant to High Abuse
- Painted Screws Included

Packaging Info:

Std Pkg 25
 Master Carton 200
 Weight

Cat. No.	Color	UPC
OPM82-W	White	615624901161
OPM82-I	Ivory	615624901178





Catalog#: OPM126

**2-Gangs, Toggle Switch and Decorative or GFCI
 Mid-Size Lexan Wallplate**

Category Wiring Device
Page [E20](#)

Description:

2 Gang, Toggle Switch & Duplex Receptacle
 Mid-Size Lexan Wallplate

Features:

- 3/8" Wider and 3/8" Higher than Standard Size Wallplates
- Resistant to High Abuse
- Painted Screws Included

Packaging Info:

Std Pkg 25
 Master Carton 200
 Weight

Cat. No.	Color	UPC
OPM126-W	White	835243017986
OPM126-I	Ivory	835243017993





Catalog#: OPM262

**2-Gangs, Decorative Switch or GFCI
 Mid-Size Lexan Wallplate**

Category
Page

Wiring Device
[E20](#)

Description:

2 Gang, Decorative or GFCI
 Mid-Size Lexan Wallplate

Features:

- 3/8" Wider and 3/8" Higher than Standard Size Wallplates
- Resistant to High Abuse
- Painted Screws Included

Packaging Info:

Std Pkg 25
 Master Carton 200
 Weight

Cat. No.	Color	UPC
OPM262-W	White	615624901123
OPM262-I	Ivory	615624901130





Catalog#: OPM826

**2-Gang Duplex Receptacle and Decorative or GFCI
 Mid-Size Lexan Wallplate**

Category Wiring Device
Page [E20](#)

Description:

2 Gang, Duplex Receptacle & Decorative or GFCI
 Mid-Size Lexan Wallplate

Features:

- 3/8" Wider and 3/8" Higher than Standard Size Wallplates
- Resistant to High Abuse
- Painted Screws Included

Packaging Info:

Std Pkg 25
 Master Carton 200
 Weight

Cat. No.	Color	UPC
OPM826-W	White	835243018020
OPM826-I	Ivory	835243018037





Catalog#: CPS-50
1/2" Cover Plate Wallplate Screw, Painted

Category Wiring Device
Page [E21](#)

Description:

1/2" Cover Plate Screw, Painted

Features:

- #6-32 Slot Painted Wallplate Screws

Packaging Info:

Std Pkg 100
 Master Carton 1000
 Weight

Cat. No.	Color	UPC
CPS-50-W	White	615624900928
CPS-50-I	Ivory	615624900911





Catalog#: CPS-75
3/4" Cover Plate Wallplate Screw, Painted

Category Wiring Device
Page [E21](#)

Description:

3/4" Cover Plate Screw, Painted

Features:

- #6-32 Slot Painted Wallplate Screws

Packaging Info:

Std Pkg	100
Master Carton	1000
Weight	

Cat. No.	Color	UPC
CPS-75-W	White	615624900942
CPS-75-I	Ivory	615624900935





Catalog#: CPS-100
1" Cover Plate Wallplate Screw, Painted

Category Wiring Device
Page [E21](#)

Description:

1" Cover Plate Screw, Painted

Features:

- #6-32 Slot Painted Wallplate Screws

Packaging Info:

Std Pkg	100
Master Carton	1000
Weight	

Cat. No.	Color	UPC
CPS-100-W	White	615624900966
CPS-100-I	Ivory	615624900959





Catalog#: CPS-516
5/16" Cover Plate Wallplate Screw, Painted

Category Wiring Device
Page [E21](#)

Description:

5/16" Cover Plate Screw, Painted

Features:

- #6-32 Slot Painted Wallplate Screws

Packaging Info:

Std Pkg	100
Master Carton	1000
Weight	

Cat. No.	Color	UPC
CPS-516-W	White	615624900904
CPS-516-I	Ivory	615624900898





Catalog#: OPJ1

**1-Gang, Toggle Switch
 Jumbo Size Lexan Wallplate**

Category Wiring Device
Page [E21](#)

Description:

1 Gang, Toggle Switch
 Jumbo Size Lexan Wallplate

Features:

- 3/4" Wider and 3/4" Higher than Standard Size Wallplates
- Resistant to High Abuse
- Painted Screws Included

Packaging Info:

Std Pkg 25
 Master Carton 200
 Weight

Cat. No.	Color	UPC
OPJ1-W	White	615624901284
OPJ1-I	Ivory	615624901291





Catalog#: OPJ8

**1-Gang Duplex Receptacle
 Jumbo Size Lexan Wallplate**

Category Wiring Device
Page [E21](#)

Description:

1 Gang, Duplex Receptacle
 Jumbo Size Lexan Wallplate

Features:

- 3/4" Wider and 3/4" Higher than Standard Size Wallplates
- Resistant to High Abuse
- Painted Screws Included

Packaging Info:

Std Pkg 25
 Master Carton 200
 Weight

Cat. No.	Color	UPC
OPJ8-W	White	615624901260
OPJ8-I	Ivory	615624901277





Catalog#: OPJ13

**1-Gang, Blank (Box Mount)
Jumbo Size Lexan Wallplate**

Category
Page

Wiring Device
[E21](#)

Description:

1 Gang, Blank (Box Mount)
Jumbo Size Lexan Wallplate

Features:

- 3/4" Wider and 3/4" Higher than Standard Size Wallplates
- Resistant to High Abuse
- Painted Screws Included

Packaging Info:

Std Pkg	25
Master Carton	200
Weight	

Cat. No.	Color	UPC
OPJ13-W	White	615624901307
OPJ13-I	Ivory	615624901314





Catalog#: OPJ26
1-Gang, Decorative Switch or GFCI

Category Wiring Device
Page [E21](#)

Description:

1 Gang, Decorative or GFCI
 Jumbo Size Lexan Wallplate

Features:

- 3/4" Wider and 3/4" Higher than Standard Size Wallplates
- Resistant to High Abuse
- Painted Screws Included

Packaging Info:

Std Pkg 25
 Master Carton 200
 Weight

Cat. No.	Color	UPC
OPJ26-W	White	615624901246
OPJ26-I	Ivory	615624901253





Catalog#: OS1
1 Gang, Toggle Switch Stainless Steel Wallplate

Category Wiring Device
Page [E22](#)

Description:

1 Gang, Toggle Switch

Features:

- Fine Brushed Finish
- Resistant to High Abuse
- Stainless Screws Included

Packaging Info:

Std Pkg 25
 Master Carton 200
 Weight

Cat. No.	UPC
OS1	835243012523





Catalog#: OS2
2 Gang, Toggle Switch Stainless Steel Wallplate

Category Wiring Device
Page [E22](#)

Description:

2 Gang, Toggle Switch

Features:

- Fine Brushed Finish
- Resistant to High Abuse
- Stainless Screws Included

Packaging Info:

Std Pkg 25
 Master Carton 100
 Weight

Cat. No.	UPC
OS2	835243012530





Catalog#: OS3
3 Gang Toggle Switch Stainless Steel Wallplate

Category Wiring Device
Page [E22](#)

Description:

3 Gang, Toggle Switch

Features:

- Fine Brushed Finish
- Resistant to High Abuse
- Stainless Screws Included

Packaging Info:

Std Pkg	10
Master Carton	100
Weight	

Cat. No.	UPC
OS3	835243012547





Catalog#: OS4
4 Gang, Toggle Switch Stainless Steel Wallplate

Category Wiring Device
Page [E22](#)

Description:

4 Gang, Toggle Switch

Features:

- Fine Brushed Finish
- Resistant to High Abuse
- Stainless Screws Included

Packaging Info:

Std Pkg	10
Master Carton	100
Weight	

Cat. No.	UPC
OS4	835243012554





Catalog#: OS8
1 Gang, Duplex Receptacle Stainless Steel Wallplate

Category Wiring Device
Page [E22](#)

Description:

1 Gang, Duplex Receptacle

Features:

- Fine Brushed Finish
- Resistant to High Abuse
- Stainless Screws Included

Packaging Info:

Std Pkg 25
Master Carton 200
Weight

Cat. No.	UPC
OS8	835243012608





Catalog#: OS13
1 Gang, Blank Stainless Steel Wallplate

Category Wiring Device
Page [E22](#)

Description:

1 Gang, Blank

Features:

- Fine Brushed Finish
- Resistant to High Abuse
- Stainless Screws Included

Packaging Info:

Std Pkg 25
Master Carton 200
Weight

Cat. No.	UPC
OS13	835243012486





Catalog#: OS23
2 Gang, Blank Stainless Steel Wallplate

Category Wiring Device
Page [E22](#)

Description:

2 Gang, Blank

Features:

- Fine Brushed Finish
- Resistant to High Abuse
- Stainless Screws Included

Packaging Info:

Std Pkg	25
Master Carton	100
Weight	

Cat. No.	UPC
OS23	835243012493





Catalog#: OS26
1 Gang, Decorative or GFCI Stainless Steel Wallplate

Category Wiring Device
Page [E22](#)

Description:

1 Gang, Decorative or GFCI

Features:

- Fine Brushed Finish
- Resistant to High Abuse
- Stainless Screws Included

Packaging Info:

Std Pkg	25
Master Carton	200
Weight	

Cat. No.	UPC
OS26	835243012561





Catalog#: OS33
3 Gang, Blank Stainless Steel Wallplate

Category Wiring Device
Page [E22](#)

Description:

3 Gang, Blank

Features:

- Fine Brushed Finish
- Resistant to High Abuse
- Stainless Screws Included

Packaging Info:

Std Pkg	10
Master Carton	100
Weight	

Cat. No.	UPC
OS33	835243012509





Catalog#: OS43
4 Gang, Blank Stainless Steel Wallplate

Category Wiring Device
Page [E22](#)

Description:

4 Gang, Blank

Features:

- Fine Brushed Finish
- Resistant to High Abuse
- Stainless Screws Included

Packaging Info:

Std Pkg	10
Master Carton	100
Weight	

Cat. No.	UPC
OS43	835243012516





Catalog#: OS82
2 Gang, Duplex Receptacle Stainless Steel Wallplate

Category Wiring Device
Page [E22](#)

Description:

2 Gang, Duplex Receptacle

Features:

- Fine Brushed Finish
- Resistant to High Abuse
- Stainless Screws Included

Packaging Info:

Std Pkg	25
Master Carton	100
Weight	

Cat. No.	UPC
OS82	835243012615





Catalog#: OS83
3 Gang, Duplex Receptacle Stainless Steel Wallplate

Category Wiring Device
Page [E22](#)

Description:

3 Gang, Duplex Receptacle

Features:

- Fine Brushed Finish
- Resistant to High Abuse
- Stainless Screws Included

Packaging Info:

Std Pkg	10
Master Carton	100
Weight	

Cat. No.	UPC
OS83	835243012622





Catalog#: OS84
4 Gang, Duplex Receptacle Stainless Steel Wallplate

Category Wiring Device
Page [E22](#)

Description:

4 Gang, Duplex Receptacle

Features:

- Fine Brushed Finish
- Resistant to High Abuse
- Stainless Screws Included

Packaging Info:

Std Pkg	10
Master Carton	100
Weight	

Cat. No.	UPC
OS84	835243012639





Catalog#: OS262
2 Gang, Decorative or GFCI Stainless Steel Wallplate

Category Wiring Device
Page [E22](#)

Description:

2 Gang, Decorative or GFCI

Features:

- Fine Brushed Finish
- Resistant to High Abuse
- Stainless Screws Included

Packaging Info:

Std Pkg	25
Master Carton	100
Weight	

Cat. No.	UPC
OS262	835243012578





Catalog#: OS263
3 Gang, Decorative or GFCI Stainless Steel Wallplate

Category Wiring Device
Page [E22](#)

Description:

3 Gang, Decorative or GFCI

Features:

- Fine Brushed Finish
- Resistant to High Abuse
- Stainless Screws Included

Packaging Info:

Std Pkg	10
Master Carton	100
Weight	

Cat. No.	UPC
OS263	835243012585





Catalog#: OS264
4 Gang, Decorative or GFCI Stainless Steel Wallplate

Category Wiring Device
Page [E22](#)

Description:

4 Gang, Decorative or GFCI

Features:

- Fine Brushed Finish
- Resistant to High Abuse
- Stainless Screws Included

Packaging Info:

Std Pkg	10
Master Carton	100
Weight	

Cat. No.	UPC
OS264	835243012592





Catalog#: OS7

**1 Gang, 1.406" Single Receptacle
 Stainless Steel Wallplate**

Category Wiring Device
Page [E23](#)

Description:

1 Gang, Single Receptacle, 1.406" Dia.

Features:

- Fine Brushed Finish
- Resistant to High Abuse
- Stainless Screws Included

Packaging Info:

Std Pkg 25
 Master Carton 200
 Weight

Cat. No.	UPC
OS7	835243012677





Catalog#: OS11

**1 Gang, Phone/Cable 0.406" Dia.
 Stainless Steel Wallplate**

Category
Page

Wiring Device
[E23](#)

Description:

1 Gang, Phone/Cable, 0.406" Dia.

Features:

- Fine Brushed Finish
- Resistant to High Abuse
- Stainless Screws Included

Packaging Info:

Std Pkg	25
Master Carton	200
Weight	

Cat. No.	UPC
OS11	835243012684





Catalog#: OS18

**2 Gang, Toggle Switch / Duplex Receptacle
 Stainless Steel Wallplate**

Category
Page

Wiring Device
[E23](#)

Description:

2 Gang, One Toggle Switch & Duplex Receptacle

Features:

- Fine Brushed Finish
- Resistant to High Abuse
- Stainless Screws Included

Packaging Info:

Std Pkg	25
Master Carton	100
Weight	

Cat. No.	UPC
OS18	835243012646





Catalog#: OS21

**2 Gang, Phone/Cable 0.406" Dia.
 Stainless Steel Wallplate**

Category
Page

Wiring Device
[E23](#)

Description:

2 Gang, Phone/Cable 0.406" Dia.

Features:

- Fine Brushed Finish
- Resistant to High Abuse
- Stainless Screws Included

Packaging Info:

Std Pkg	25
Master Carton	100
Weight	

Cat. No.	UPC
OS21	835243017719





Catalog#: OS113

**2 Gang, One Toggle Switch & Blank
Stainless Steel Wallplate**

Category
Page

Wiring Device
[E23](#)

Description:

2 Gang, One Toggle Switch & Blank

Features:

- Fine Brushed Finish
- Resistant to High Abuse
- Stainless Screws Included

Packaging Info:

Std Pkg	25
Master Carton	100
Weight	

Cat. No.	UPC
OS113	835243017702





Catalog#: OS126
2 Gang, Toggle Switch & Decorative or GFCI

Category Wiring Device
Page [E23](#)

Description:

2 Gang, Toggle Switch & Duplex Receptacle

Features:

- Fine Brushed Finish
- Resistant to High Abuse
- Stainless Screws Included

Packaging Info:

Std Pkg	25
Master Carton	100
Weight	

Cat. No.	UPC
OS126	835243012653





Catalog#: OS226

**3 Gang, Two Toggle Switches / One GFCI
 Stainless Steel Wallplate**

Category Wiring Device
Page [E23](#)

Description:

3 Gang, 2 Toggle Switches & Decorative or GFCI

Features:

- Fine Brushed Finish
- Resistant to High Abuse
- Stainless Screws Included

Packaging Info:

Std Pkg 10
 Master Carton 100
 Weight

Cat. No.	UPC
OS226	835243017740





Catalog#: OS701

**2 Gang, Power Outlet, 2.468" Dia.
 Stainless Steel Wallplate**

Category
Page

Wiring Device
[E23](#)

Description:

2 Gang, Power Outlet 2.468" Dia.

Features:

- Fine Brushed Finish
- Resistant to High Abuse
- Stainless Screws Included

Packaging Info:

Std Pkg	25
Master Carton	100
Weight	

Cat. No.	UPC
OS701	835243017733





Catalog#: OS703

**2 Gang, Power Outlet, 2.156" Dia.
 Stainless Steel Wallplate**

Category
Page

Wiring Device
[E23](#)

Description:

2 Gang, Power Outlet 2.156" Dia.

Features:

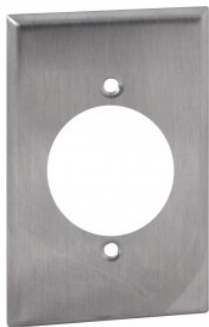
- Fine Brushed Finish
- Resistant to High Abuse
- Stainless Screws Included

Packaging Info:

Std Pkg	25
Master Carton	100
Weight	

Cat. No.	UPC
OS703	835243017726





Catalog#: OS705

**1 Gang, 1.625" Single Receptacle
 Stainless Steel Wallplate**

Category
Page

Wiring Device
[E23](#)

Description:

1 Gang, Single Receptacle, 1.625" Dia.

Features:

- Fine Brushed Finish
- Resistant to High Abuse
- Stainless Screws Included

Packaging Info:

Std Pkg	25
Master Carton	200
Weight	

Cat. No.	UPC
OS705	835243015319





Catalog#: OS724

**1 Gang Power Outlet, 2.156" Dia.
 Stainless Steel Wallplate**

Category Wiring Device
Page [E23](#)

Description:

1 Gang, Power Outlet 2.156" Dia.

Features:

- Fine Brushed Finish
- Resistant to High Abuse
- Stainless Screws Included

Packaging Info:

Std Pkg 25
 Master Carton 200
 Weight

Cat. No.	UPC
OS724	835243012691





Catalog#: OS737

**1 Gang, Doorbell Push Button 0.625" Dia.
 Stainless Steel Wallplate**

Category
Page

Wiring Device
[E23](#)

Description:

1 Gang, Doorbell Push Button, 0.625" Dia.

Features:

- Fine Brushed Finish
- Resistant to High Abuse
- Stainless Screws Included

Packaging Info:

Std Pkg	25
Master Carton	200
Weight	

Cat. No.	UPC
OS737	835243017757





Catalog#: OS826

**2 Gang, Duplex Receptacle / GFCI
 Stainless Steel Wallplate**

Category Wiring Device
Page [E23](#)

Description:

2 Gang, Duplex Receptacle & Decorative or GFCI

Features:

- Fine Brushed Finish
- Resistant to High Abuse
- Stainless Screws Included

Packaging Info:

Std Pkg 25
 Master Carton 100
 Weight

Cat. No.	UPC
OS826	835243012660





Catalog#: CLS
Medium-Base Lamp Socket

Category Wiring Device
Page [E24](#)

Description:

Medium-Base Lamp Socket

Features:

- 250V, 660W
- Heavy-Duty
- Aluminum screw shell with rubber housing
- With 6" long #14AWG leads
- Sealed in rubber booth

Packaging Info:

Std Pkg 25
 Weight

Cat. No.	Color	UPC
CLS	Black	615624466684





Catalog#: PPC-1
Porcelain Lampholder with Pullchain Switch

Category Wiring Device
Page [E24](#)

Description:

Porcelain Lampholder with Pullchain Switch

Features:

- 125/250 VAC
- 660W
- Fits 3O and 4O Boxes

Packaging Info:

Std Pkg 50
 Weight

Cat. No.	Color	UPC
PPC-1	White	615624900010





Catalog#: PPR-1
Porcelain Lampholder with Pullchain Switch & 15A Receptacle

Category Wiring Device
Page [E24](#)

Description:

Porcelain Lampholder with Pullchain Switch & 15A Receptacle

Features:

- 125/250 VAC
- 660W
- Fits 3O and 4O Boxes

Packaging Info:

Std Pkg 50
Weight

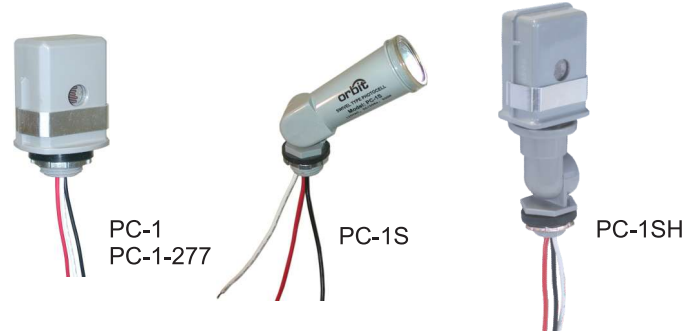
Cat. No.	Color	UPC
PPR-1	White	615624900003



SPECIFICATION & FEATURES PHOTOELECTRIC CONTROLS

FEATURES:

- 1.5VA Power Consumption
- 6-20 Lx On Level
- 30-60 Lx Off Level
- 2-Year Warranty



CERTIFICATION:



File E224007 / E348511



Wet Location



CONFIGURATION DATA:

Part No.	Description	Rating		Std.Pkg.
		Tungsten	Ballast	
PC-1	120V 50/60Hz, Standard Contractor Grade	2000 W	1900VA	12
PC-1-277	208/277V 50/60Hz, Standard Contractor Grade	2000 W	1900VA	12
PC-1S	120V 50/60Hz, Swivel-Type	1200 W	1000VA	12
PC-1SH	120V 50/60Hz, High-Wattage Swivel-Type	2000 W	1900VA	12
PC-1F	120V 50/60Hz, Wire-In Flush Model	500 W	850VA	12
PC-1F-277	208/277V 50/60Hz, Wire-In Flush Model	500 W	850VA	12
PC-1P	120V 50/60Hz, with Weatherproof Plate & Gasket	500 W	850VA	12
PC-1T	120~277V 50/60Hz, Twist Lock E-Ballast: 8A @120VAC, 5A @208-277VAC	1000 W	1800VA	12





Catalog#: PT163A-3
Right Angle U-Ground Plug 3Ft

Category Wiring Device
Page [E26](#)

Description:

Right Angle U-Ground Plug

Features:

- 125VAC
- 16/3 AWG
- 3-Conductor

Specifications:

Length 3 Ft
 Current 13A
 Power 1625W

Packaging Info:

Product Packaging Wrapper
 Std Pkg 100
 Weight

Cat. No.	Color	UPC
PT163A-3	Gray	615624466660





Catalog#: PT163A-6
Right Angle U-Ground Plug 6Ft

Category Wiring Device
Page [E26](#)

Description:

Right Angle U-Ground Plug

Features:

- 125VAC
- 16/3 AWG
- 3-Conductor

Specifications:

Length 6 Ft
 Current 13A
 Power 1625W

Packaging Info:

Product Packaging Wrapper
 Std Pkg 100
 Weight

Cat. No.	Color	UPC
PT163A-6	Gray	615624466677





Catalog#: PT163S-3
Straight U-Ground Plug 3Ft

Category Wiring Device
Page [E26](#)

Description:

Straight U-Ground Plug

Features:

- 125VAC
- 16/3 AWG
- 3-Conductor

Specifications:

Length 3 Ft
 Current 13A
 Power 1625W

Packaging Info:

Product Packaging Wrapper
 Std Pkg 100
 Weight

Cat. No.	Color	UPC
PT163S-3	Gray	615624466646





Catalog#: PT163S-6
Straight U-Ground Plug 6Ft

Category Wiring Device
Page [E26](#)

Description:

Straight U-Ground Plug

Features:

- 125VAC
- 16/3 AWG
- 3-Conductor

Specifications:

Length 6 Ft
 Current 13A
 Power 1625W

Packaging Info:

Product Packaging Wrapper
 Std Pkg 100
 Weight

Cat. No.	Color	UPC
PT163S-6	Gray	615624466653

