


FLOOR BOX

PRODUCT CATALOG *V2*



Orbit offers a diverse line of durable, versatile and easy-to-install floor boxes to meet all your needs. Choose from ready-to-install assemblies or customize your own from the extensive floor box offering.

Covers are available in a wide variety of models suitable for any application. Furthermore, they are offered in stainless steel or brushed brass finishes, as well as in round or square, to ensure a durable yet aesthetically pleasing installation. Gaskets are also included to prevent dust and water from damaging receptacles.

Orbit's floor boxes ensure a flush and easy installation for any floor type. Choose from models which include our patented adjustable 1-gang or 2-gang floor boxes and pop-up floor boxes. Boxes are available with USB, GFCI, Low Voltage receptacles and more. With a solution for any application, Orbit provides a floor box to fit your power and communication needs.

TABLE OF CONTENTS

01
02

ADJUSTABLE 1-GANG FLOOR
BOX ASSEMBLIES & COVERS



03
04

ADJUSTABLE 2-GANG FLOOR
BOX ASSEMBLIES & COVERS



05
06

1-GANG POP-UP FLOOR BOX
ASSEMBLIES & COVERS



07
08

2-GANG POP-UP FLOOR BOX
ASSEMBLIES & COVERS



09

PVC FLOOR BOX SPEC



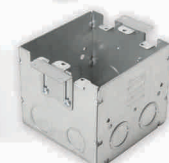
10

ADJUSTABLE 1-GANG
STEEL FLOOR BOX SPEC



11

ADJUSTABLE 2-GANG
STEEL FLOOR BOX SPEC



12

1-GANG POP-UP STEEL
FLOOR BOX SPEC



13

2-GANG POP-UP STEEL
FLOOR BOX SPEC



14

FLOOR BOX ACCESSORIES

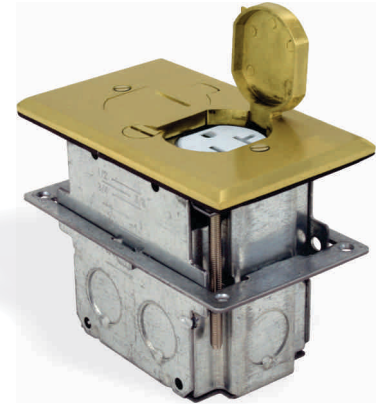


15
16

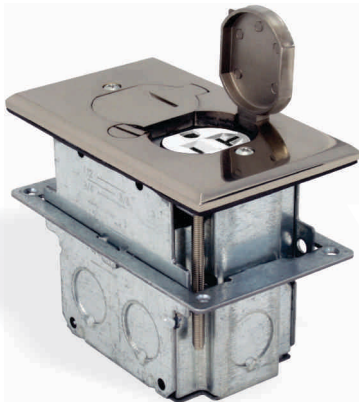
CROSS REFERENCE / INDEX

ADJUSTABLE 1-GANG FLIP & ROUND PLUG TYPE FLOOR BOX ASSEMBLIES

- 125 VAC
- 20A tamper-resistant receptacle
- For use with carpet, tile or wood floors
- Adjustable floor box ideal for both new and existing work
- Includes cover, device plate, receptacle, gaskets, screws and adjustable floor box
- Meets NEC Article 406.12 for tamper-resistant receptacles



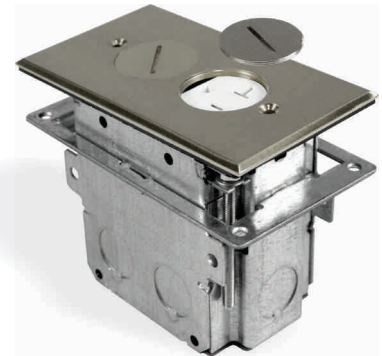
FLB-D-BR



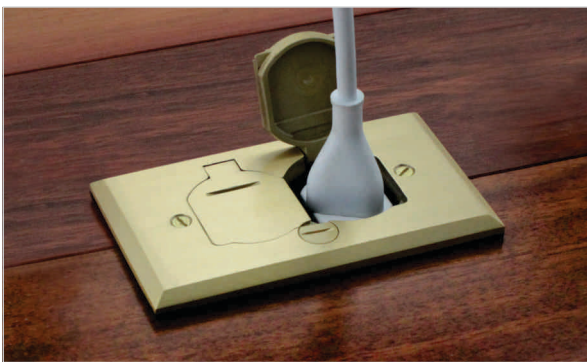
FLB-D-SS



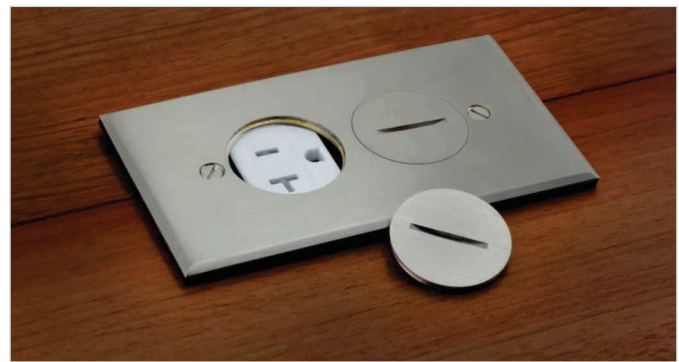
FLB-R1G-BR



FLB-R1G-SS



FLB-D-BR Shown Installed
Brass Adjustable 1-Gang Flip Floor Box



FLB-R1G-SS Shown Installed
Stainless Steel Adjustable 1-Gang Round Plug Floor Box

Adjustable Steel Floor Box Only (See Page 10 for Details)

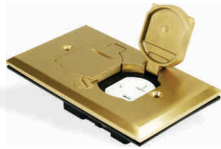
Cat. No.	Side K.O.'s	Bottom K.O.	Cu. In.
1GAB	(6) - 1/2"	(2) - 1/2"	23.5



1-GANG FLIP & ROUND PLUG TYPE *COVERS*

Includes:

Cover, device plate, 20A tamper-resistant receptacle, gasket & screws



FLB-D-C-BR



FLB-D-C-SS



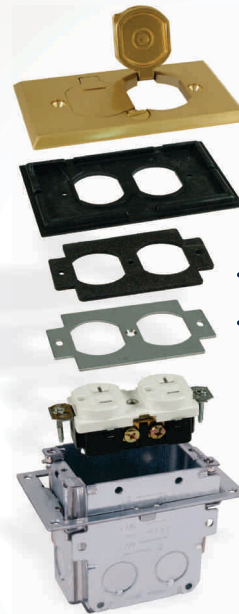
FLB-R1G-C-BR



FLB-R1G-C-SS

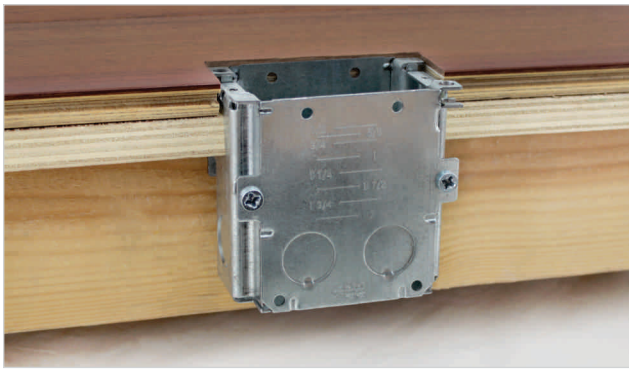
EXPLODED VIEW

Complete Assembly



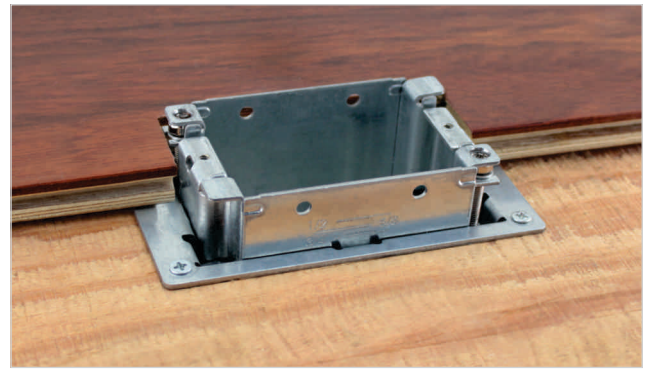
- Flip or Round Plug Cover
- Gasket
- Receptacle Cover
- 20A Tamper Resistant Duplex Receptacle
- 1-Gang Adjustable Floor Box

Cover Only



Side Mount Installation (Fixed)

OR



Adjustable from 0" - 2"

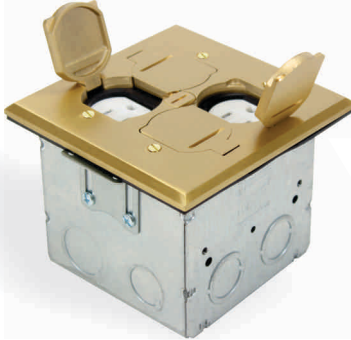
Floor Box Assembly and Cover Styles

Assembly	Std. Pkg.	Cover Only	Std. Pkg.	Type	Receptacle	Finish
FLB-D-BR*	10	FLB-D-C-BR	10	Flip	20A TR Duplex	Brass
FLB-D-SS*	10	FLB-D-C-SS	10	Flip	20A TR Duplex	Stainless Steel
FLB-R1G-BR*	10	FLB-R1G-C-BR	10	Round Plug	20A TR Duplex	Brass
FLB-R1G-SS*	10	FLB-R1G-C-SS	10	Round Plug	20A TR Duplex	Stainless Steel

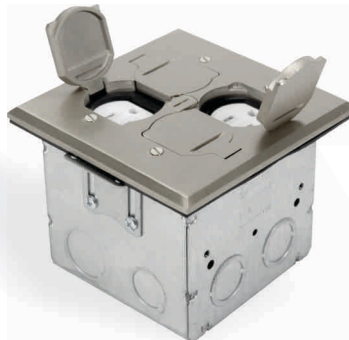


ADJUSTABLE 2-GANG FLIP & ROUND PLUG TYPE FLOOR BOX ASSEMBLIES

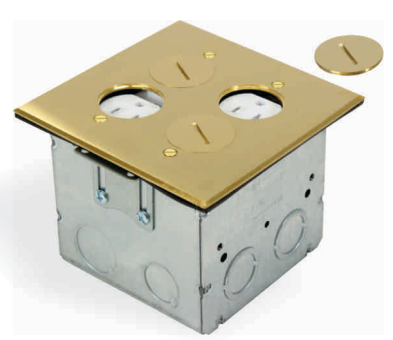
- 125 VAC
- 20A tamper-resistant receptacle
- For use with carpet, tile or wood floors
- Steel floor boxes must be installed flush with finished floor prior to final installation
- Includes cover, receptacle, screws, gasket, device plates and 2-Gang Floor Box with removable partition
- Meets NEC Article 406.12 for tamper-resistant receptacles



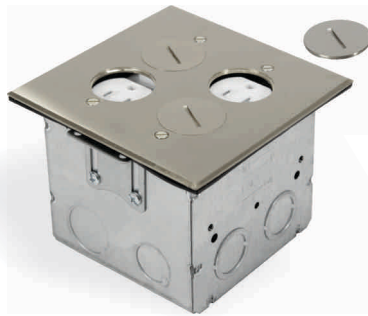
NEW! FLB-DD-BR*



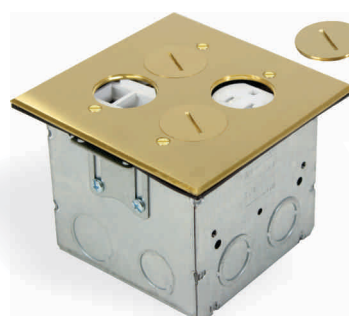
NEW! FLB-DD-SS*



NEW! FLB-R2G-DD-BR*



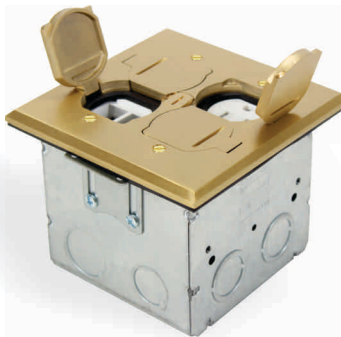
NEW! FLB-R2G-DD-SS*



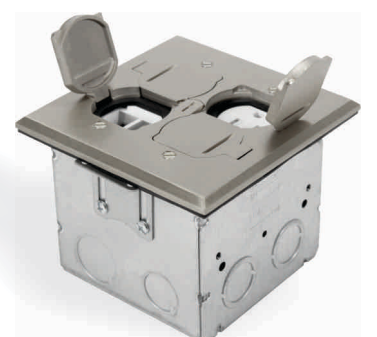
NEW! FLB-R2G-DL-BR



NEW! FLB-R2G-DL-SS



NEW! FLB-DL-BR



NEW! FLB-DL-SS

Steel Floor Box Only (See Page 11 for Details)

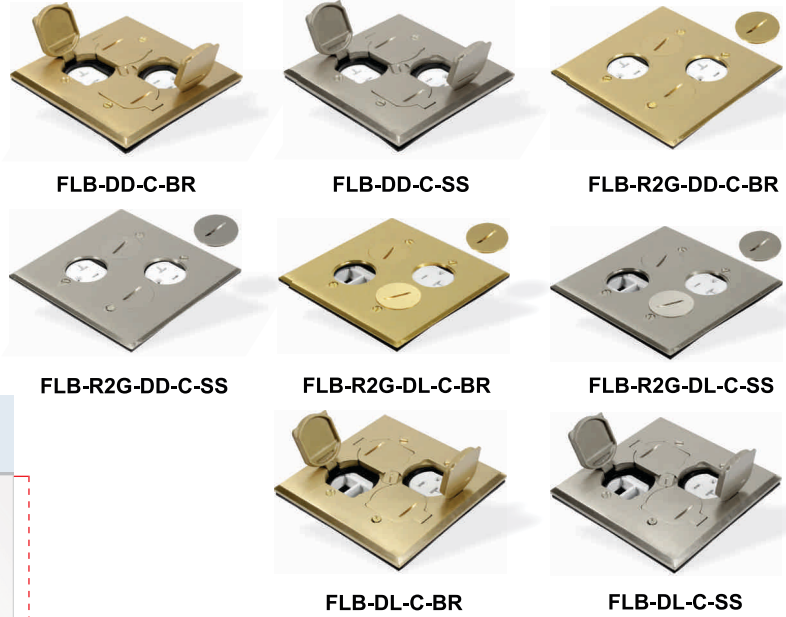
Cat. No.	Side K.O.'s	Bottom K.O.	Cu. In.
FLB-4SEDB-2G	(2) - 1/2", (2) - 3/4" & (4) CKO	(2) - 1/2" & (2) - 3/4"	46.0



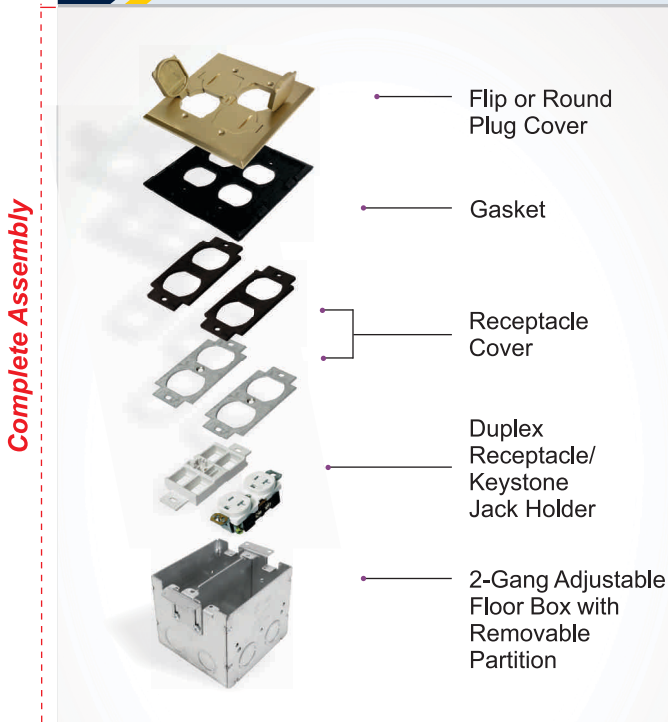
2-GANG FLIP & ROUND PLUG TYPE COVERS

Includes:

Cover, device plate, 20A tamper-resistant receptacle, gasket & screws



EXPLODED VIEW



FLB-R2G-DD-BR Shown Installed
Adjustable 0" - 1"

Floor Box Assembly and Cover Style

Assembly	Std. Pkg.	Cover Only	Std. Pkg.	Type	Receptacle	Finish
FLB-DD-BR*	10	FLB-DD-C-BR	10	Flip	(2) 20A TR Duplex	Brass
FLB-DD-SS*	10	FLB-DD-C-SS	10	Flip	(2) 20A TR Duplex	Stainless Steel
FLB-R2G-DD-BR*	10	FLB-R2G-DD-C-BR	10	Round Plug	(2) 20A TR Duplex	Brass
FLB-R2G-DD-SS*	10	FLB-R2G-DD-C-SS	10	Round Plug	(2) 20A TR Duplex	Stainless Steel
FLB-R2G-DL-BR	10	FLB-R2G-DL-C-BR	10	Round Plug	20A TR Duplex + Keystone Jack Holder	Brass
FLB-R2G-DL-SS	10	FLB-R2G-DL-C-SS	10	Round Plug	20A TR Duplex + Keystone Jack Holder	Stainless Steel
FLB-DL-BR	10	FLB-DL-C-BR	10	Flip	20A TR Duplex + Keystone Jack Holder	Brass
FLB-DL-SS	10	FLB-DL-C-SS	10	Flip	20A TR Duplex + Keystone Jack Holder	Stainless Steel



1-GANG POP-UP TYPE FLOOR BOX ASSEMBLIES

- 125 VAC
- 20A tamper-resistant receptacle
- For use with carpet, tile or wood floors
- Steel floor boxes must be installed flush with finished floor prior to final installation
- Includes cover, receptacle, screws and 1-Gang Floor Box
- Meets NEC Article 406.12 for tamper-resistant receptacles

- 3 Low Voltage ports included



FLBPU-D-S-BR



FLBPU-D-S-SS



FLBPU-D-R-BR



FLBPU-D-R-SS



• FLBPU-L-R-BR



• FLBPU-L-R-SS



• FLBPU-L-S-BR



• FLBPU-L-S-SS



FLBPU-G-R-BR



FLBPU-G-R-SS



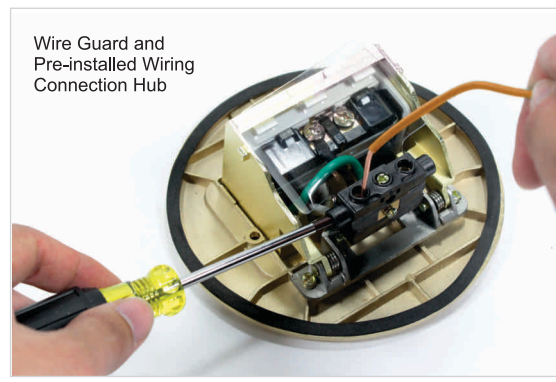
FLBPU-DU-R-BR



FLBPU-DU-R-SS



FLBPU-G-R-SS Shown Installed
1-Gang Pop-Up Type with GFCI



Wire Guard and
Pre-installed Wiring
Connection Hub

Easy Install
Labor Saving Quick Connection for
Duplex Receptacle Models

Steel Floor Box Only (See Page 12 for Details)

Cat. No.	Side K.O.'s	Bottom K.O.	Cu. In.
FLB-4SEDB	(2) - 1/2", (2) - 3/4" & (4) CKO	(2) - 1/2" & (2) - 3/4"	46.0

1-GANG POP-UP TYPE COVERS

Includes:

Cover, 20A tamper-resistant receptacle, gasket & screws

Available Options:

FLBC-P-R

PVC Floor Box for Concrete Slab
See Page 09.



- 3 Low Voltage ports included



FLBPU-D-S-C-BR



FLBPU-D-S-C-SS



FLBPU-D-R-C-BR



FLBPU-D-R-C-SS



• FLBPU-L-R-C-BR



• FLBPU-L-R-C-SS



• FLBPU-L-S-C-BR



• FLBPU-L-S-C-SS



FLBPU-G-R-C-BR



FLBPU-G-R-C-SS



FLBPU-DU-R-C-BR



FLBPU-DU-R-C-SS

Floor Box Assembly and Cover Style

Assembly	Std. Pkg.	Cover Only	Std. Pkg.	Shape	Receptacle	Finish
FLBPU-D-S-BR	10	FLBPU-D-S-C-BR	10	Square	20A TR Duplex	Brass
FLBPU-D-S-SS	10	FLBPU-D-S-C-SS	10	Square	20A TR Duplex	Stainless Steel
FLBPU-D-R-BR	10	FLBPU-D-R-C-BR	10	Round	20A TR Duplex	Brass
FLBPU-D-R-SS	10	FLBPU-D-R-C-SS	10	Round	20A TR Duplex	Stainless Steel
FLBPU-L-R-BR	10	FLBPU-L-R-C-BR	10	Round	Low-Voltage (CAT5E)	Brass
FLBPU-L-R-SS	10	FLBPU-L-R-C-SS	10	Round	Low-Voltage (CAT5E)	Stainless Steel
FLBPU-L-S-BR	10	FLBPU-L-S-C-BR	10	Square	Low-Voltage (CAT5E)	Brass
FLBPU-L-S-SS	10	FLBPU-L-S-C-SS	10	Square	Low-Voltage (CAT5E)	Stainless Steel
FLBPU-G-R-BR	10	FLBPU-G-R-C-BR	10	Round	20A TR Cooper GFCI	Brass
FLBPU-G-R-SS	10	FLBPU-G-R-C-SS	10	Round	20A TR Cooper GFCI	Stainless Steel
FLBPU-DU-R-BR	10	FLBPU-DU-R-C-BR	10	Round	20A TR Duplex + (2) USB Ports	Brass
FLBPU-DU-R-SS	10	FLBPU-DU-R-C-SS	10	Round	20A TR Duplex + (2) USB Ports	Stainless Steel



2-GANG POP-UP TYPE FLOOR BOX ASSEMBLIES

- 125 VAC
- 20A tamper-resistant receptacle
- For use with carpet, tile or wood floors
- Steel floor boxes must be installed flush with finished floor prior to final installation
- Steel floor box includes partition for combination of Duplex Receptacle & Low Voltage Only
- Includes cover, receptacle, screws and 2-Gang Floor Box
- Meets NEC Article 406.12 for tamper-resistant receptacles

- 3 Low Voltage ports included



FLBPU-DD-BR



FLBPU-DD-SS



• FLBPU-LL-BR



• FLBPU-LL-SS



• FLBPU-DL-BR



• FLBPU-DL-SS



Pop-up Cover retracts when not in use

Steel Floor Box Only (See Page 13 for Details)

Cat. No.	Side K.O.'s	Bottom K.O.	Cu. In.
FLB-48DB	(6) - 1/2" & 3/4" CKO, (6) - 3/4" & 1" CKO	(6) - 1/2" & (3) - 3/4"	86.0



2-GANG POP-UP TYPE *COVERS*

Includes:

- Cover, 20A tamper-resistant receptacle & screws

- 3 Low Voltage ports included



FLBPU-DD-C-BR



FLBPU-DD-C-SS



• FLBPU-LL-C-BR



• FLBPU-LL-C-SS



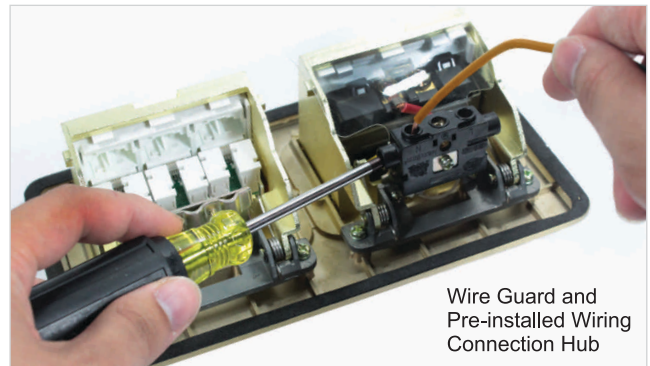
• FLBPU-DL-C-BR



• FLBPU-DL-C-SS



FLBPU-DL-BR Shown Installed
Brass 2-Gang Pop-Up Floor Box



Wire Guard and Pre-installed Wiring Connection Hub

Easy Install
Labor Saving Quick Connection for Duplex Receptacles

Floor Box Assembly and Cover Style

Assembly	Std. Pkg.	Cover Only	Std. Pkg.	Receptacle	Finish
FLBPU-DD-BR	10	FLBPU-DD-C-BR	10	(2) 20A TR Duplex	Brass
FLBPU-DD-SS	10	FLBPU-DD-C-SS	10	(2) 20A TR Duplex	Stainless Steel
FLBPU-LL-BR	10	FLBPU-LL-C-BR	10	(2) Low-Voltage (CAT5E)	Brass
FLBPU-LL-SS	10	FLBPU-LL-C-SS	10	(2) Low-Voltage (CAT5E)	Stainless Steel
FLBPU-DL-BR	10	FLBPU-DL-C-BR	10	20A TR Duplex + Low-Voltage (CAT5E)	Brass
FLBPU-DL-SS	10	FLBPU-DL-C-SS	10	20A TR Duplex + Low-Voltage (CAT5E)	Stainless Steel



PVC FLOOR BOX

Features:

- PVC for Concrete Slab Installations
- FLBC-P-R includes cap and plugs
- Adapter ring (sold separately) allows for installation of round pop-up floor box covers



FLBC-P-R



FLBPU-AR

PVC Floor Box

Floor Box	Sides Opening	Cu. In.
FLBC-P-R	(2) - 3/4" & (2) - 1"	90.0

Options

Cat. No.	Description	Std. Pkg.
FLBC-P-R	Round PVC Floor Box for concrete slab installations	10
FLBPU-AR	PVC Adapter Ring for round floor box pop-up covers (Sold Separately)	10



EXPLODED VIEW OF ASSEMBLY
(Sold Separately)

FLOOR BOX COMPATIBILITY TABLE

See Page 06 for Details on Orbit's Full Line of Pop-Up Floor Boxes

The diagram shows the FLBPU-AR adapter ring at the top, with lines pointing to a grid of eight different cover options. Each option consists of a cover and a corresponding adapter ring.

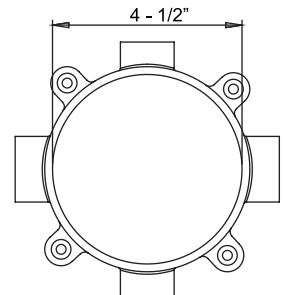
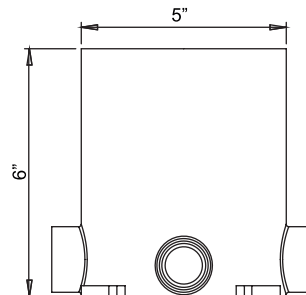
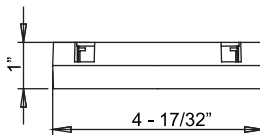
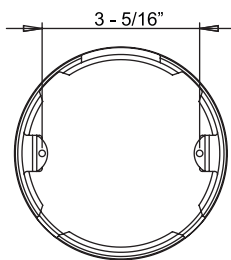
FLBPU-AR

FLBPU-D-R-C-BR FLBPU-D-R-C-SS FLBPU-G-R-C-BR FLBPU-G-R-C-SS

FLBPU-L-R-C-BR FLBPU-L-R-C-SS FLBPU-DU-R-C-BR FLBPU-DU-R-C-SS

FLBPU-AR

FLBC-P-R



ADJUSTABLE 1-GANG FLOOR BOX

- Adjustable from 0" - 2"
- Can be Side Mounted

Compatible Covers: Page 02



FLB-D-C-BR



FLB-D-C-SS

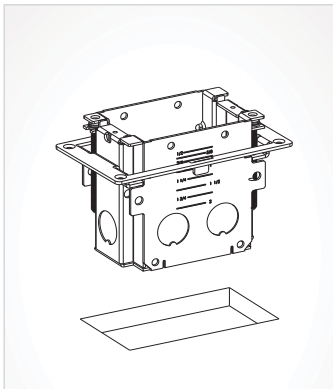


FLB-R1G-C-BR

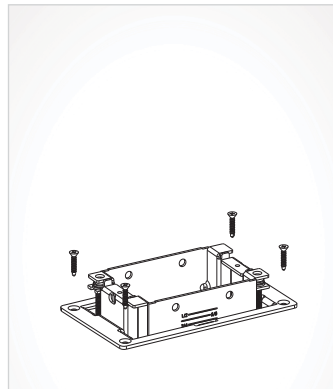


FLB-R1G-C-SS

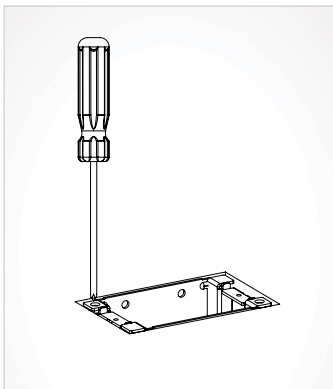
Installation Instructions:



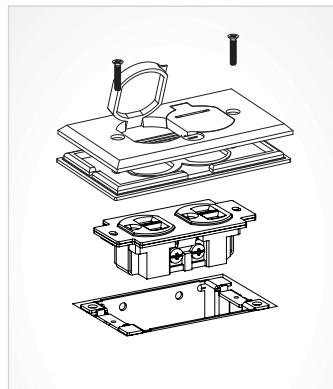
Step 1: Cut hole in sub-floor or finished floor.



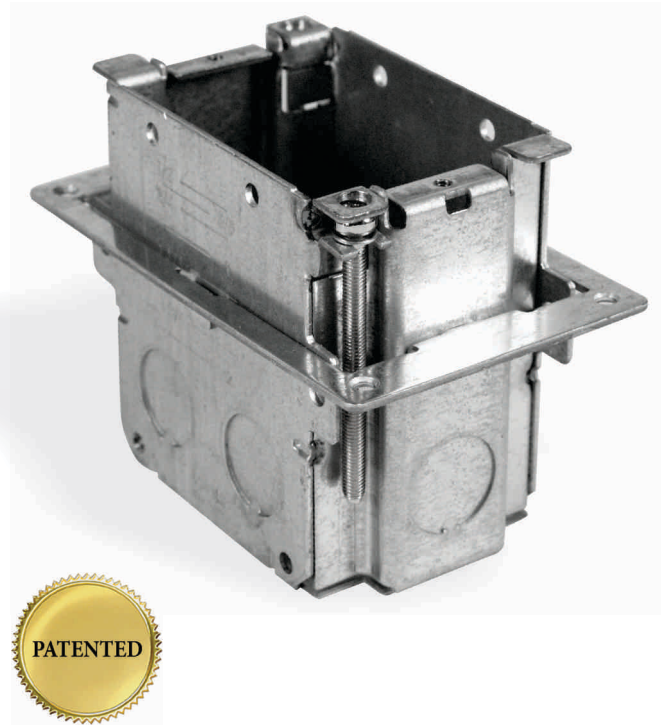
Step 2: Mount floor box to floor with 4 wood screws.



Step 3: Adjust floor box flush with finished floor.



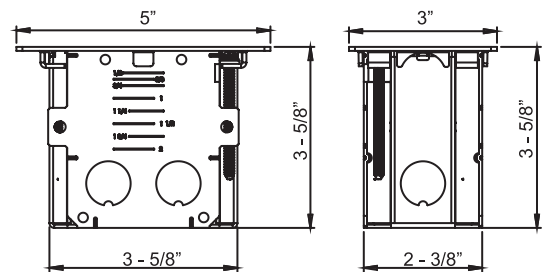
Step 4: Wire receptacle assembly and install cover and gasket using provided screws.



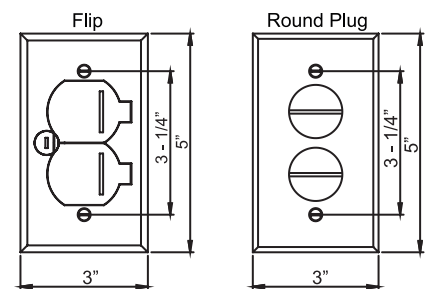
Adjustable Steel Box

Cat. No.	Side K.O.'s	Bottom K.O.	Cu. In.	Std. Pkg.
1GAB	(6) - 1/2"	(2) - 1/2"	23.5	10

1-Gang Adjustable Box:



1-Gang Cover:



NEW!



ADJUSTABLE 2-GANG FLOOR BOX

- Adjustable from 0" - 1"
- Recessed device mounting tabs allow for cover to be flush with box
- Removable partition included

Compatible Covers: Page 04



FLB-R2G-DL-C-BR



FLB-R2G-DL-C-SS



FLB-R2G-DD-C-BR



FLB-R2G-DD-C-SS



FLB-DL-C-BR



FLB-DL-C-SS



FLB-DD-C-BR

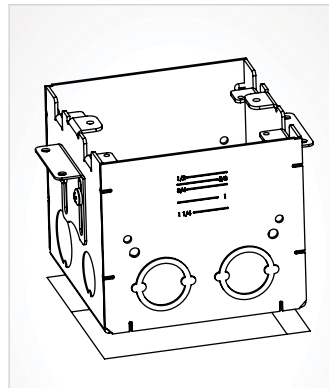
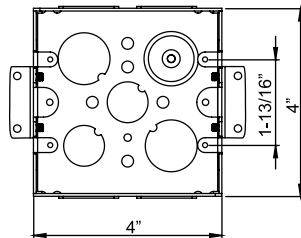
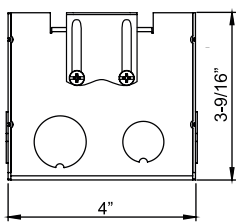
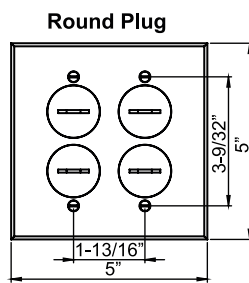
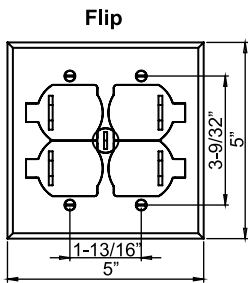


FLB-DD-C-SS

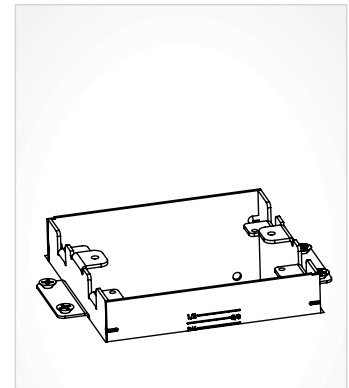
Installation Instructions:

Steel Box

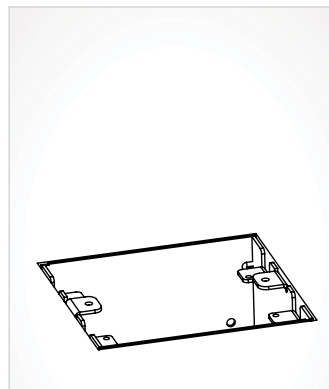
Cat. No.	Side K.O.'s	Bottom K.O.	Cu. In.
FLB-4SEDB-2G	(2) - 1/2", (2) - 3/4" & (4) 1/2" & 3/4" CKO	(2) - 1/2" & (2) - 3/4"	46.0



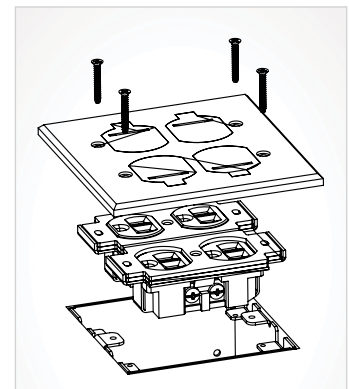
Step 1: Cut hole in sub-floor. Adjust floor box to finished floor height.



Step 2: Mount floor box to floor with 4 wood screws.



Step 3: Install finished floor.



Step 4: Wire receptacle assembly and install cover and gasket using provided screws.

1-GANG POP-UP FLOOR BOX

- Fits all 1-Gang Pop-Up Covers
- Steel floor box must be installed flush with finished floor prior to final installation

Compatible Covers: Page 06



FLBPU-D-S-C-BR



FLBPU-D-S-C-SS



FLBPU-L-S-C-BR



FLBPU-L-S-C-SS



FLBPU-D-R-C-BR



FLBPU-D-R-C-SS



FLBPU-L-R-C-BR



FLBPU-L-R-C-SS



FLBPU-G-R-C-BR



FLBPU-G-R-C-SS

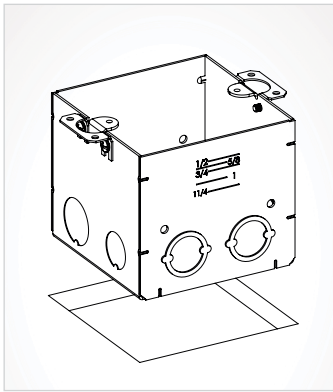


FLBPU-DU-R-C-BR

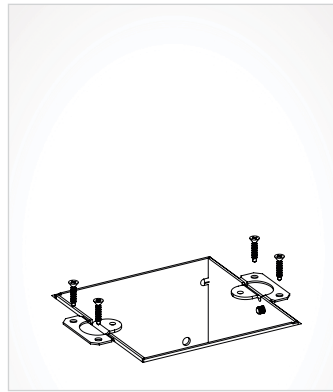


FLBPU-DU-R-C-SS

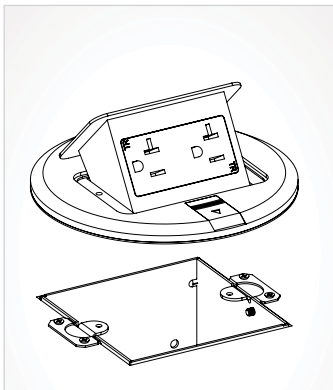
Installation Instructions:



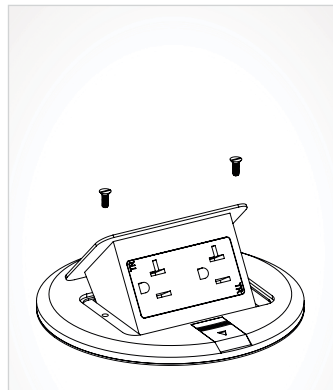
Step 1: Cut hole in finished floor.



Step 2: Mount floor box to floor with 4 wood screws.



Step 3: Wire receptacle.



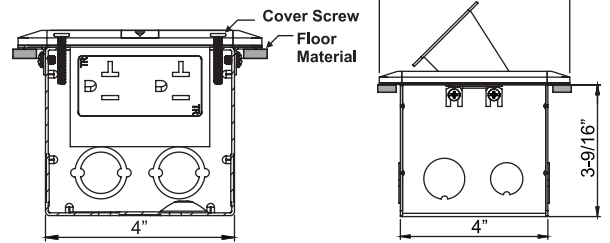
Step 4: Install cover using screws provided.



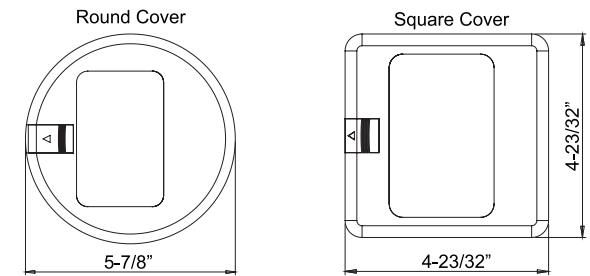
Steel Box

Cat. No.	Side K.O.'s	Bottom K.O.	Cu. In.
FLB-4SEDB	(2) - 1/2", (2) - 3/4" & (4) 1/2" & 3/4" CKO	(2) - 1/2" & (2) - 3/4"	46.0

1-Gang Floor Box:



Pop-up Cover:





2-GANG POP-UP FLOOR BOX

- Able to install to concrete when using wood concrete forms

Compatible Covers: Page 08

- *Compatible only with 2 Gang Floor Box Partition*



FLBPU-DD-C-BR



FLBPU-DD-C-SS



FLBPU-LL-C-BR



FLBPU-LL-C-SS

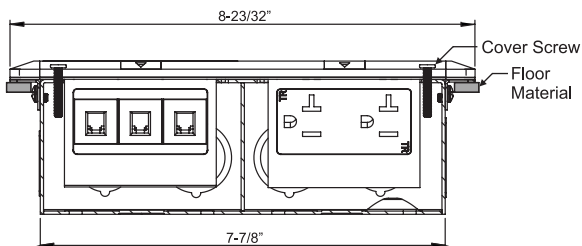
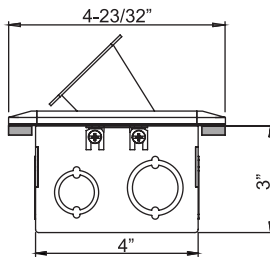
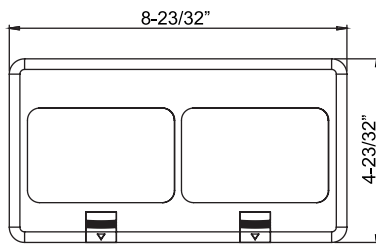


• FLBPU-DL-C-BR

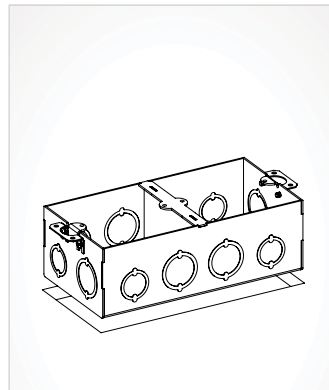


• FLBPU-DL-C-SS

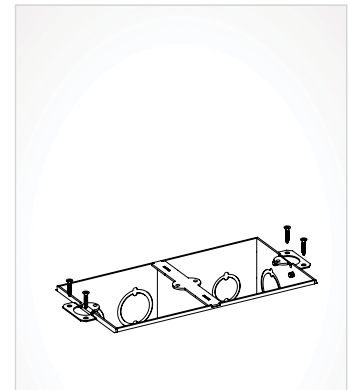
Steel Box			
Cat. No.	Side K.O.'s	Bottom K.O.	Cu. In.
FLB-48DB	(6) - 1/2" & 3/4" CKO, (6) - 3/4" & 1" CKO	(6) - 1/2" & (3) - 3/4"	86.0



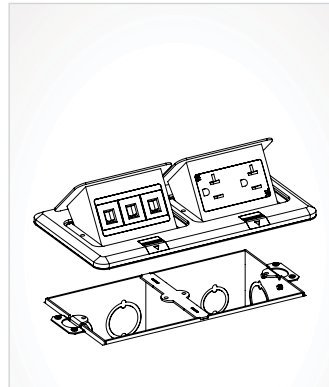
Installation Instructions:



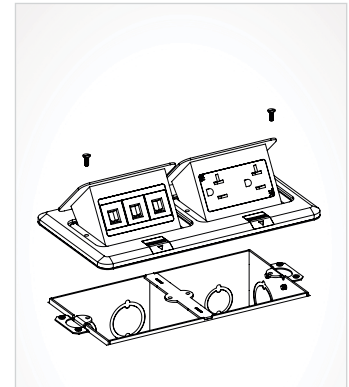
Step 1: Cut hole in finished floor.



Step 2: Mount floor box to floor with 4 wood screws.



Step 3: Wire receptacle assembly.



Step 4: Install cover using screws provided.

RESIDENTIAL GRADE DUPLEX RECEPTACLE

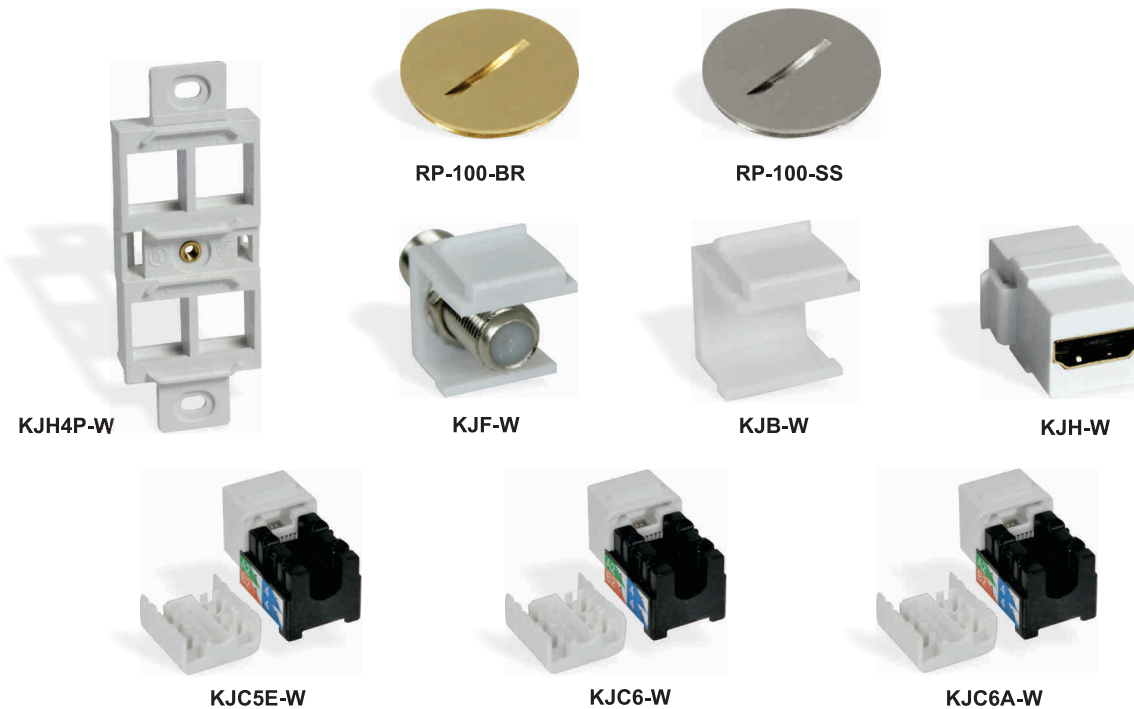
Features:

- 125 VAC
- Self-Grounding
- Impact-Resistant Thermoplastic Body
- #14 to #10AWG Side Wire
- With Combination Head Screws
- Meets NEC Article 406.12 for tamper-resistant receptacles



R20-TR
Tamper Resistant

Duplex Receptacle		Color (Cat. No. - Color Code)			
Cat. No.	Description	White	Ivory	Std. Pkg.	Master Carton
R20-TR	20A Duplex Receptacle, Tamper Resistant	R20-TR-SW	R20-TR-SI	10	200



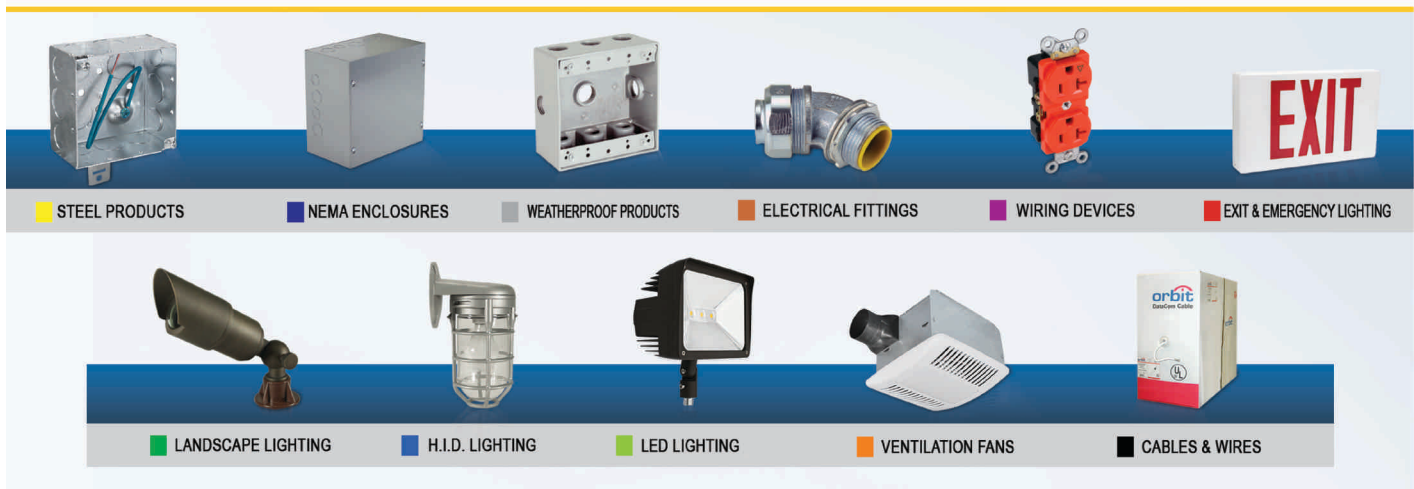
Floor Box Accessories

Cat. No.	Description	Cat. No.	Description
RP-100-BR	Round Plug 1" for R1G & R2G Covers - Brass	KJH-W	Keystone Jack Holder HDMI - White
RP-100-SS	Round Plug 1" for R1G & R2G Covers - Stainless Steel	KJC5E-W	Keystone Jack CAT5E - White
KJH4P-W	Keystone Jack Holder 4-Port - White	KJC6-W	Keystone Jack CAT6 - White
KJF-W	Keystone Jack F-Connector - White	KJC6A-W	Keystone Jack CAT6A - White
KJB-W	Keystone Jack Blank - White		

Part Number	Page #	Arlington/ADJ Series	T&B	Hubbell	Lew	Wiremold
1GAB	10					
FLB-48DB	13					
FLB-4SEDB	12				PUFP-WB	
FLB-4SEDB-2G	11	FLB5549		B2482		
FLB-D-BR	1	FLBAF101MB FLB5331MB	71W-DS	B2481/S3825 (no receptacle)	SWB-2-LR	880W1/818TCAL (no receptacle)
FLB-D-C-BR	2	FLB5330MB	P-64-DS	S3825	RRP-2-LR	828R
FLB-D-C-SS	2	FLB5330NL	P-64-DS-AL	SA3825	RRP-2-LR-A	828R-TCAL
FLB-D-SS	1	FLBAF101NL FLB5331NL	71W-DS-N	B2481/SA3825 (no receptacle)	SWB-2-LR-A	880W1/818TCAL (no receptacle)
FLB-DD-BR	3	FLB5551MB		B2482/S3825 x2 (no receptacle)	SWB-4-2P-LR	
FLB-DD-C-BR	4	FLB5550MB		S3825 (one per gang)	RRP-4-BP-LR	
FLB-DD-C-SS	4	FLB5550NL		SA3825 (one per gang)	RRP-4-AP-LR	
FLB-DD-SS	3	FLB5551NL		B2482/SA3825 x2 (no receptacle)	SWB-4-2P-LR-A	
FLB-DL-BR	3	FLB5552MB		B2482/S3825 x2 (no receptacle)	SWB-4-PQ-LR	
FLB-DL-C-BR	4	FLB5550MB		S3825 (one per gang)	RRP-4-BP-LR	
FLB-DL-C-SS	4	FLB5550NL		SA3825 (one per gang)	RRP-4-AP-LR	
FLB-DL-SS	3	FLB5552NL		B2482/SA3825 x2 (no receptacle)	SWB-4-PQ-LR-A	
FLB-R1G-BR	1	FLBA101MB FLB5321MB	61W/P-64-DU (no receptacle)	6500BR/B2481/S3625 (no receptacle)	SWB-2	880W1/828SPTC (needs receptacle)
FLB-R1G-C-BR	2	FLB5320MB	P-64-DU	S3625	RRP-2	828SPTC
FLB-R1G-C-SS	2	FLBT6615MB	P-64-DU-AL	SA3625	RRP-2-NS	
FLB-R1G-SS	1	FLBA101NL FLB5321NL	61W/P-64-DU-AL (no receptacle)	6500NI/B2481/SA3625 (no receptacle)	SWB-2-NS	
FLB-R2G-DD-BR	3	FLB5541MB		B2482/S3625 x 2 (no receptacle)	SWB-4-2P	WMFB2DR2B
FLB-R2G-DD-C-BR	4	FLB5540MB		S3625 (One per Gang)	RRP-4-BP	
FLB-R2G-DD-C-SS	4	FLB5540NL		SA3625 (One per Gang)	RRP-4-AP	
FLB-R2G-DD-SS	3	FLB5541NL		B2482/SA3625 x 2 (no receptacle)	SWB-4-2P-A	WMFB2DR2N
FLB-R2G-DL-BR	3			B2482/S3625 x 2 (no receptacle)	SWB-4-PQ	WMFB2DRKS4B
FLB-R2G-DL-C-BR	4	FLB5540MB		S3625 (One per Gang)	RRP-4-BP	
FLB-R2G-DL-C-SS	4	FLB5540NL		SA3625 (One per Gang)	RRP-4-AP	
FLB-R2G-DL-SS	3			B2482/SA3625 x 2 (no receptacle)	SWB-4-PQ-A	WMFB2DRKS4N
FLBC-P-R	9	FLBC4500	E971FB	PFB1	FB	881
FLBPU-AR	9	FLBT6615LR	E97ABR2	PFBA1	PUFP-LRA	881ADP
FLBPU-D-R-BR	5					
FLBPU-D-R-C-BR	6	FLBT6615MB			PUFP-BDPUFP-SD	
FLBPU-D-R-C-SS	6	FLBT6615NL			PUFP-BDPUFP-SD	
FLBPU-D-R-SS	5					
FLBPU-D-S-BR	5					
FLBPU-D-S-C-BR	6					
FLBPU-D-S-C-SS	6					
FLBPU-D-S-SS	5					
FLBPU-DD-BR	7					
FLBPU-DD-C-BR	8					
FLBPU-DD-C-SS	8					

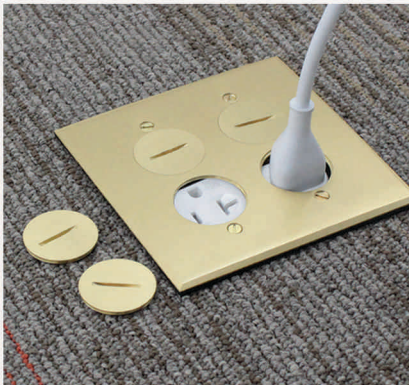
Part Number	Page #	Arlington/ADJ Series	T&B	Hubbell	Lew	Wiremold
FLBPU-DD-SS	7					
FLBPU-DL-BR	7					
FLBPU-DL-C-BR	8					
FLBPU-DL-C-SS	8					
FLBPU-DL-SS	7					
FLBPU-DU-R-BR	5				PUFP-CT-B-2USB	
FLBPU-DU-R-C-BR	6					
FLBPU-DU-R-C-SS	6					
FLBPU-DU-R-SS	5				PUFP-CT-SS-2USB	
FLBPU-G-R-BR	5				PUFP-CT-B	
FLBPU-G-R-C-BR	6				PUFP-B	
FLBPU-G-R-C-SS	6				PUFP-S	
FLBPU-G-R-SS	5				PUFP-CT-SS	
FLBPU-L-R-BR	5					
FLBPU-L-R-C-BR	6				PUFP-BC	
FLBPU-L-R-C-SS	6				PUFP-SC	
FLBPU-L-R-SS	5					
FLBPU-L-S-BR	5					
FLBPU-L-S-C-BR	6					
FLBPU-L-S-C-SS	6					
FLBPU-L-S-SS	5					
FLBPU-LL-BR	7					
FLBPU-LL-C-BR	8					
FLBPU-LL-C-SS	8					
FLBPU-LL-SS	7					
RP-100-BR	14					
RP-100-SS	14					
WD/KJB-W	14		OPABWH	SFBAL10	L310-420AL	2601-03820-ADT
WD/KJC5E-W	14		OPJDU5EL-WH	HXJ5EW	L310-110	OR-KS5E
WD/KJC5ES-W	14					
WD/KJC6-W	14		OPJDU6L-WH	HXJ6BK	L310-140AL	OR-KS6
WD/KJC6A-W	14			HXJ6ABK		OR-TKS6A
WD/KJF-W	14			NSF70W		OR-KSFCN-13
WD/KJH4P-W	14		OPOD4WH	ISFA	RRP-2-PQ	WP3404-WH

ORBIT PRODUCT LINES



■ STEEL PRODUCTS
■ NEMA ENCLOSURES
■ WEATHERPROOF PRODUCTS
■ ELECTRICAL FITTINGS
■ WIRING DEVICES
■ EXIT & EMERGENCY LIGHTING

■ LANDSCAPE LIGHTING
■ H.I.D. LIGHTING
■ LED LIGHTING
■ VENTILATION FANS
■ CABLES & WIRES



orbit[®]
Orbit Industries, Inc.

2100 S. Figueroa St.
Los Angeles, CA 90007
Tel: 1.800.90.ORBIT (67248)
Fax: 213.745.2015

www.orbitelectric.com

Copyright © 2017, Orbit Industries, Inc. All rights reserved

*“ Power your devices with
convenient & versatile floor boxes ”*