

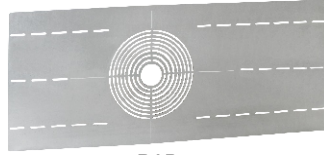
P19 | Recessed Light Adapter Plates

RECESSED LIGHT ADAPTER PLATES

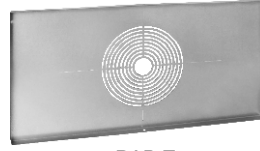
PRODUCT FEATURES

- ▶ A faster and more convenient method to install recessed light fixtures than traditional bar hangers or fixture brackets
- ▶ Available for Hard Lid (**RAP** & **RAP-SQ**) and T-Bar (**RAP-T** & **RAP-SQ-T**) applications
- ▶ **RAP** & **RAP-T** accommodate most 2" to 8" round and up to 5-1/4" square recessed downlights
- ▶ **RAP-SQ** & **RAP-SQ-T** accommodate most 2" to 10" square recessed downlights or ceiling speakers
- ▶ Can be easily preassembled for a quicker job site install
- ▶ Center marking allows for an easy positioning and installing of fixtures onto the plate with tek screws

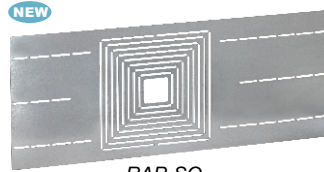
Cat. No.	Description	Std. Pka.
RAP	Recessed Light Fixture Adapter Plate, Hard Lid, Round Opening up to 8"	10
RAP-T	Recessed Light Fixture Adapter Plate, T-Bar, Round Opening up to 8"	10
RAP-SQ <small>NEW</small>	Recessed Light Fixture Adapter Plate, Hard Lid, Square Opening up to 10"	10
RAP-SQ-T <small>NEW</small>	Recessed Light Fixture Adapter Plate, T-Bar, Square Opening up to 10"	10



RAP



RAP-T



RAP-SQ



RAP-SQ-T

PATENT PENDING

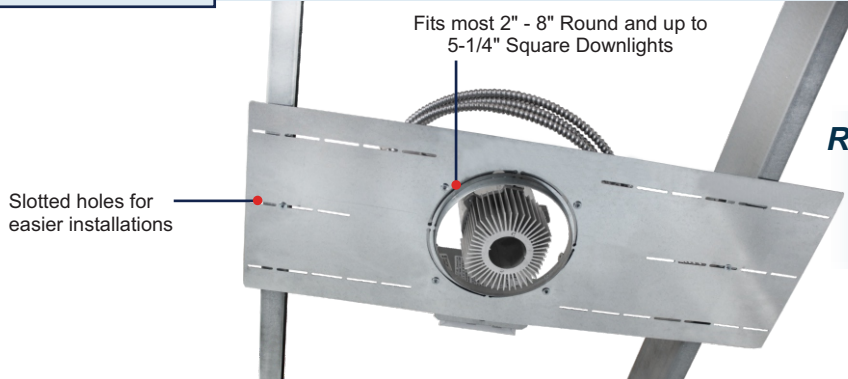
ORBIT INDUSTRIES EXCLUSIVE



Video Available On Our Website!

Installs up to 4x FASTER than traditional methods!

RAP INSTALLATION

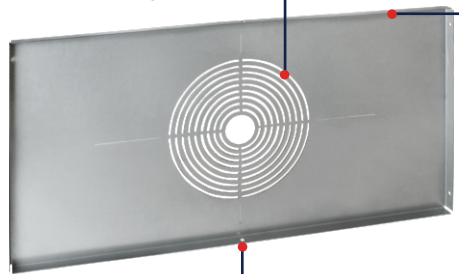


RAP & RAP-SQ offset to account for irregular stud spacing

Fits up to 26" stud spacing

RAP-T INSTALLATION

Fits most 2" - 8" Round and up to 5-1/4" Square Downlights



RAP-T & RAP-SQ-T fit most 2' wide T-Bar grids



RAP-T installed in T-Grid Ceiling

Flip RAP-T for Oversized Downlights