



*EESLA-LED

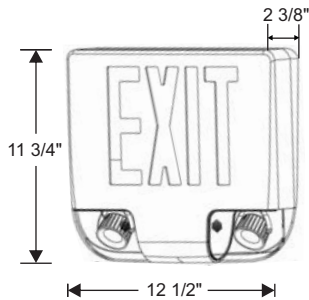
CAST ALUMINUM LED EMERGENCY LIGHT/
EXIT SIGN COMBO UNIT WITH BATTERY BACK-UP

PRODUCT FEATURES

- ▶ Dual-Voltage Input 120/277VAC Operation
- ▶ UL Listed for Damp Location
- ▶ Long-lasting, Energy Saving LED Lamps
- ▶ Two high powered, fully adjustable LED Lamp Heads (1.5W per lamp head)
- ▶ 90 Minutes Minimum Emergency Operation
- ▶ Heavy-Duty Premium Grade Aluminum Housing
- ▶ Universal Mounting Pattern
- ▶ Aluminum Canopy for ceiling or end mounting included
- ▶ Knockout Chevrons Directional Indicators
- ▶ Push-to-Test Switch
- ▶ Maintenance-free 8.4V NiCd Battery
- ▶ Fully automatic operation



EESLA-LED-A-A-1-G



Cat. No.	Housing Color	Faceplate	No. of Faces	Letter Color
*EESLA-LED	A (Aluminum) W (White) B (Black)	A (Aluminum) W (White) B (Black)	1 2	R (Red) G (Green)

*EECLA

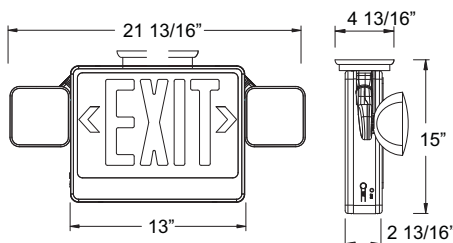
EMERGENCY LIGHT/LED EXIT SIGN
COMBO UNIT WITH BATTERY BACK-UP

PRODUCT FEATURES

- ▶ Dual-Voltage Input 120/277VAC Operation
- ▶ UL Listed for Damp Location
- ▶ Two 6V 5.4W T5 Wedge Base Lamp Heads with **fully adjustable lamp arms**
- ▶ Long-lasting, Energy Saving LED Lamps
- ▶ 90 Minutes Minimum Emergency Operation
- ▶ Injection-Molded, 5VA Flame Retardant, High Impact, Thermoplastic
- ▶ Universal Mounting Pattern
- ▶ Canopy for end mounting included
- ▶ Easy Snap-out Chevrons Directional Indicators
- ▶ Extra Faceplate included for field conversion to Double-Face
- ▶ Push-to-Test Switch
- ▶ Maintenance-free 6V, 4.5AH Sealed Lead-Acid Battery
- ▶ Fully automatic operation



EECLA-W-G



Cat. No.	Housing Color	Letter Color	Options
*EECLA	W (White) B (Black)	R (Red) G (Green)	SDT (Self Diagnostic Test) RC (Remote Capable)