

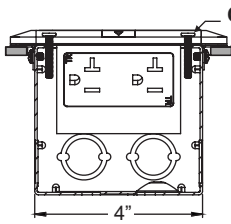
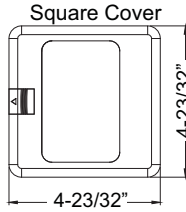
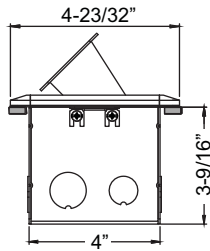


1-GANG POP-UP FLOOR BOX

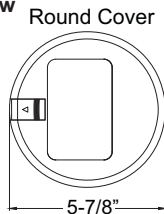
Cat. No.	Side K.O.'S	Bottom K.O.'S	Cu. In.	Std. Pkg.
FLB-4SEDB	(2) - 1/2", (2) - 3/4" & (4) 1/2" & 3/4" CKO	(2) - 1/2" & (2) - 3/4"	46.0	10

PRODUCT FEATURES

- ▶ Fits all 1-Gang Pop-Up Covers
- ▶ Steel floor box must be installed flush with finished floor prior to final installation
- ▶ For Concrete/Floor application, see Section W (314.28 (B))



Cover Screw
Floor Material



1-Gang Floor Box

INSTALLATION

COMPATIBLE COVERS: Page G5



FLBPU-D-S-C-BR



FLBPU-D-S-C-SS



FLBPU-L-S-C-BR



FLBPU-L-S-C-SS



FLBPU-D-R-C-BR



FLBPU-D-R-C-SS



FLBPU-L-R-C-BR



FLBPU-L-R-C-SS



FLBPU-G-R-C-BR



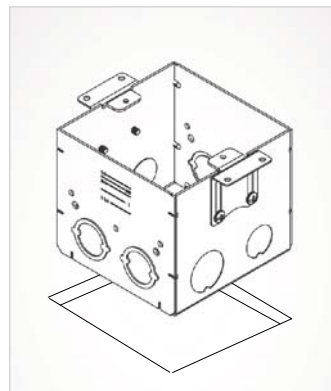
FLBPU-G-R-C-SS



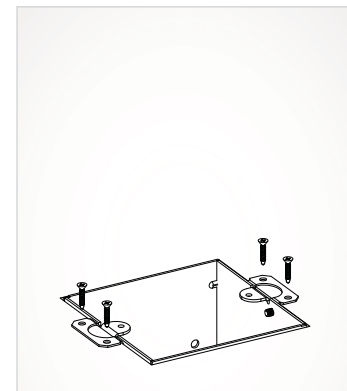
FLBPU-DU-R-C-BR



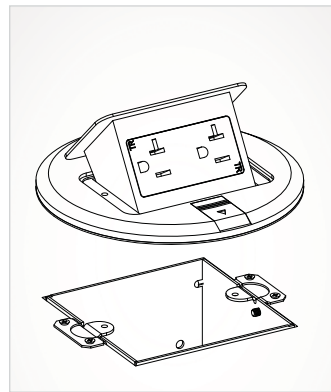
FLBPU-DU-R-C-SS



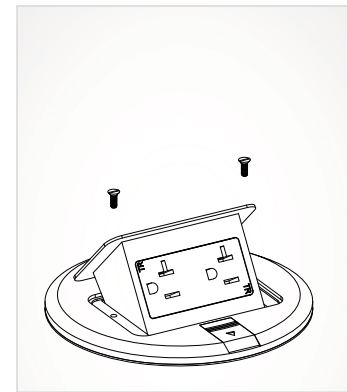
Step 1: Cut hole in finished floor.



Step 2: Mount floor box to floor with 4 wood screws.



Step 3: Wire receptacle.



Step 4: Install cover using screws provided.