



# SUBMITTAL SHEETS

## LANDSCAPE LIGHTING - G

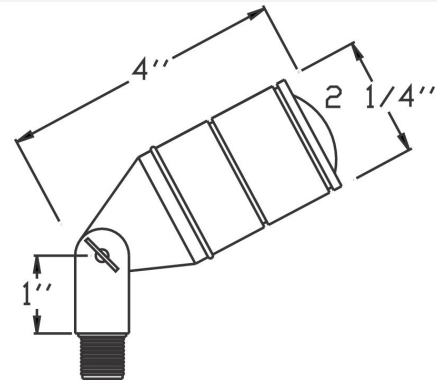


**Catalog#: B140**  
**EG OUTDOOR SPECIAL BRASS BULLET**

**Category** Landscape Lighting  
**Page** [G1](#)

**Specifications:**

**Material** Cast Brass  
**Voltage** 12 Volts  
**Lamp type** MR16 20W Lamp Included, 35W Max.  
**Lens type** Convex Tempered Glass Lens  
**Socket** Premium grade Porcelain socket with Nickel contacts and Teflon-jacketed wire leads  
**Gasket** Sealed with high grade weatherproof Silicone Gasket  
**Wiring** Pre-wired with 24" SPT-1 Cord  
**Accessories** Adjustable Key Knuckle  
 GS-85 PVC Spike  
 CO-3 Connector  
**Document** [Installation Instructions](#)  
**Certifications**



Cat. No.	Finishes	UPC
B140-NB	Natural Brass	615624269360
B140-AB	Antique Brass	615624269209
B140-AZ	Antique Bronze	615624269216
B140-ARB	Architectural Bronze	615624269223
B140-AG	Aged Green	615624269230



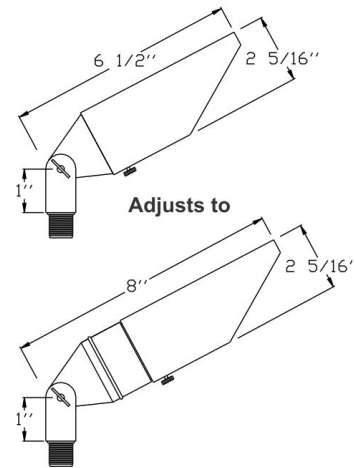


**Catalog#: B140SH**  
**EG OUTDOOR SPECIAL BRASS BULLET**


**Category** Landscape Lighting  
**Page** [G1](#)

**Specifications:**

**Material** Cast Brass  
**Voltage** 12 Volts  
**Lamp type** MR16 20W Lamp Included, 35W Max.  
**Lens type** Convex Tempered Glass Lens  
**Socket** Premium grade Porcelain socket with Nickel contacts and Teflon-jacketed wire leads  
**Gasket** Sealed with high grade weatherproof Silicone Gasket  
**Wiring** Pre-wired with 24" SPT-1 Cord  
**Accessories** Adjustable Directional Hood  
 Solid Brass Adjustable Key  
 Knuckle  
 GS-85 PVC Spike  
 CO-3 Connector



**Document** [Installation Instructions](#)

**Certifications** 

Cat. No.	Finishes	UPC
B140SH-NB	Natural Brass	615624271516
B140SH-AB	Antique Brass	615624271479
B140SH-AZ	Antique Bronze	615624271509
B140SH-ARB	Architectural Bronze	615624271493
B140SH-AG	Aged Green	615624271486



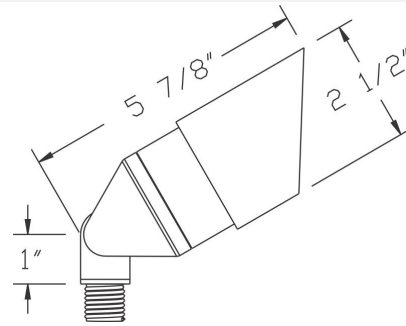


**Catalog#: B141**  
**EG OUTDOOR SPECIAL BRASS BULLET**

**Category** Landscape Lighting  
**Page** [G1](#)

**Specifications:**

**Material** Cast Brass  
**Voltage** 12 Volts  
**Lamp type** MR16 20W Lamp Included, 35W Max.  
**Lens type** Convex Tempered Glass Lens  
**Socket** Premium grade Porcelain socket with Nickel contacts and Teflon-jacketed wire leads  
**Gasket** Sealed with high grade weatherproof Silicone Gasket  
**Wiring** Pre-wired with 24" SPT-1 Cord  
**Accessories** Spring-Mounted Directional Hood  
 Adjustable Key Knuckle  
 GS-85 PVC Spike  
 CO-3 Connector



**Document** [Installation Instructions](#)

**Certifications** 

Cat. No.	Finishes	UPC
B141-NB	Natural Brass	615624271523
B141-AB	Antique Brass	615624267373
B141-AZ	Antique Bronze	615624267380



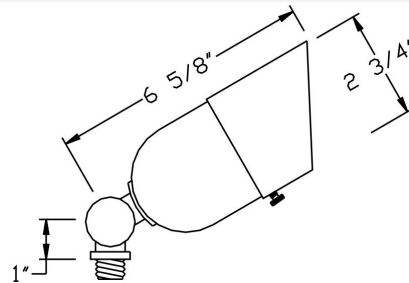


**Catalog#: B101**  
**SOLID BRASS BULLET W/ HOOD**

**Category** Landscape Lighting  
**Page** [G2](#)

**Specifications:**

**Material** Solid Brass  
**Voltage** 12 Volts  
**Lamp type** MR16 20W Lamp Included, 35W Max.  
**Lens type** Tempered Glass Lens  
**Socket** Premium grade Porcelain socket with Nickel contacts and Teflon-jacketed wire leads  
**Gasket** Sealed with high grade weatherproof Silicone Gasket  
**Wiring** Pre-wired with 24" SPT-1 Cord  
**Accessories** Adjustable Key Knuckle  
 GS-85 PVC Spike  
 CO-3 Connector  
**Document** [Installation Instructions](#)  
**Certifications**



Cat. No.	Finishes	UPC
B101-NB	Natural Brass	615624264006
B101-AB	Antique Brass	615624266307
B101-AZ	Antique Bronze	615624266314
B101-ARB	Architectural Bronze	615624269049



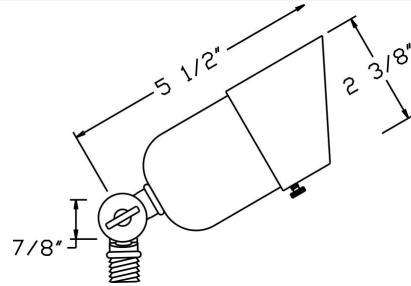


**Catalog#: B102**  
**35W MR16 BRASS BULLET**

**Category** Landscape Lighting  
**Page** [G2](#)

**Specifications:**

**Material** Solid Brass  
**Voltage** 12 Volts  
**Lamp type** MR16 20W Lamp Included, 35W Max.  
**Lens type** Tempered Glass Lens  
**Socket** Premium grade Porcelain socket with Nickel contacts and Teflon-jacketed wire leads  
**Gasket** Sealed with high grade weatherproof Silicone Gasket  
**Wiring** Pre-wired with 24" SPT-1 Cord  
**Accessories** Adjustable Key Knuckle  
 GS-85 PVC Spike  
[SWN-BK](#) Silicone Wire Nuts  
**Document** [Installation Instructions](#)  
**Certifications**



Cat. No.	Finish	UPC
B102-AZ	Antique Bronze	615624266222
*B102-ARB	Architectural Bronze	615624269056

\*While Supplies Last



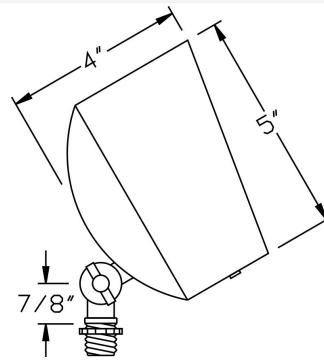


**Catalog#: B191**  
**PAR36 BRASS BULLET**

**Category** Landscape Lighting  
**Page** [G2](#)

**Specifications:**

**Material** Solid Brass  
**Voltage** 12 Volts  
**Lamp type** PAR36 20W Lamp Included, 50W Max.  
**Socket** Premium grade Porcelain socket with Nickel contacts and Teflon-jacketed wire leads  
**Gasket** Sealed with high grade weatherproof Silicone Gasket  
**Wiring** Pre-wired with 24" SPT-1 Cord  
**Accessories** Adjustable Key Knuckle  
 GS-85 PVC Spike  
 CO-3 Connector  
**Document** [Installation Instructions](#)  
**Certifications**



Cat. No.	Finishes	UPC
B191-AZ	Antique Bronze	615624266178
B191-ARB	Architectural Bronze	615624269100
B191-AG	Aged Green	615624266383



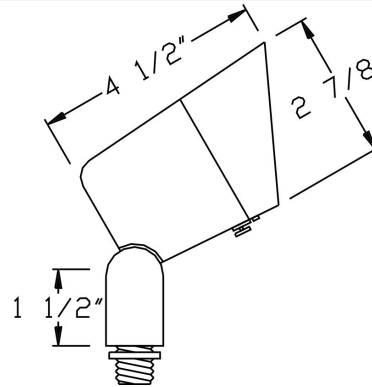


**Catalog#: B126**  
**B126 LANDSCAPE FIXTURE**

**Category** Landscape Lighting  
**Page** [G3](#)

**Specifications:**

**Material** Cast Brass  
**Voltage** 12 Volts  
**Lamp type** MR16 20W Lamp Included, 35W Max.  
**Lens type** Tempered Glass Lens  
**Socket** Premium grade Porcelain socket with Nickel contacts and Teflon-jacketed wire leads  
**Gasket** Sealed with high grade weatherproof Silicone Gasket  
**Wiring** Pre-wired with 24" SPT-1 Cord  
**Accessories** GS-85 PVC Spike  
 CO-3 Connector  
**Document** [Installation Instructions](#)  
**Certifications**



Cat. No.	Finishes	UPC
B126-AB	Antique Brass	615624267441
B126-AZ	Antique Bronze	615624267458
B126-ARB	Architectural Bronze	615624269087
B126-AG	Aged Green	615624267465






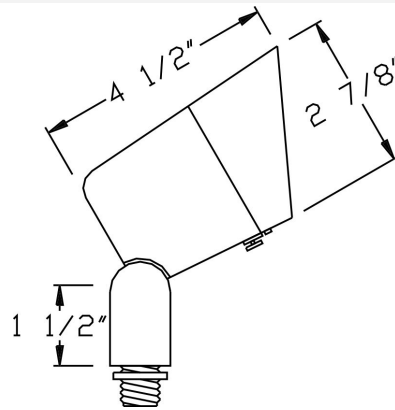


**Catalog#: FG126**  
**FIBERGLASS BULLET - BRONZE**

**Category** Landscape Lighting  
**Page** [G3](#)

**Specifications:**

Material	Composite
Voltage	12 Volts
Lamp type	MR16 20W Lamp Included, 20W Max.
Lens type	Convex Tempered Glass Lens
Socket	Premium grade Porcelain socket with Nickel contacts and Teflon-jacketed wire leads
Gasket	Sealed with high grade weatherproof Silicone Gasket
Wiring	Pre-wired with 24" SPT-1 Cord
Accessories	GS-85 PVC Spike CO-3 Connector
Document	<a href="#">Installation Instructions</a>
Certifications	



Cat. No.	Finishes	UPC
FG126	Bronze	615624272636



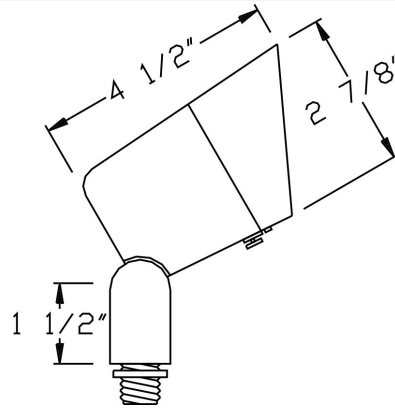


**Catalog#: S126**  
**S126 LANDSCAPE FIXTURE**

**Category** Landscape Lighting  
**Page** [G3](#)

**Specifications:**

**Material** Cast Aluminum  
**Voltage** 12 Volts  
**Lamp type** MR16 20W Lamp Included, 35W Max.  
**Lens type** Convex Tempered Glass Lens  
**Socket** Premium grade Porcelain socket with Nickel contacts and Teflon-jacketed wire leads  
**Gasket** Sealed with high grade weatherproof Silicone Gasket  
**Wiring** Pre-wired with 24" SPT-1 Cord  
**Accessories** GS-85 PVC Spike  
[SWN-BK](#) Silicone Wire Nuts  
**Document** [Installation Instructions](#)  
**Certifications**



Cat. No.	Finish	UPC
S126-BK	Black	615624264075
S126-BR	Bronze	615624264082
*S126-RU	Rust	615624267496
*S126-SA	Sand	615624373678
S126-GN	Green	615624373661
S126-VG	Verde Green	615624264099

\*While Supplies Last




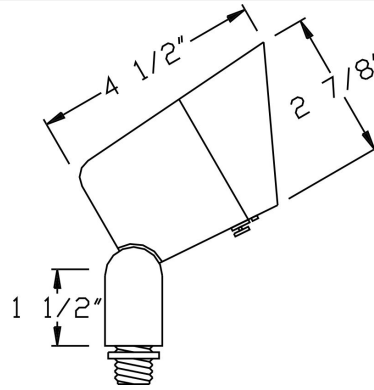


**Catalog#: SS126**  
**SS126 LANDSCAPE FIXTURE**

**Category** Landscape Lighting  
**Page** [G3](#)

**Specifications:**

Material	Stainless Steel
Voltage	12 Volts
Lamp type	MR16 20W Lamp Included, 35W Max.
Lens type	Convex Tempered Glass Lens
Socket	Premium grade Porcelain socket with Nickel contacts and Teflon-jacketed wire leads
Gasket	Sealed with high grade weatherproof Silicone Gasket
Wiring	Pre-wired with 24" SPT-1 Cord
Accessories	GS-85 PVC Spike CO-3 Connector
Document	<a href="#">Installation Instructions</a>
Certifications	



Cat. No.	Finishes	UPC
SS126	Stainless Steel	615624268967



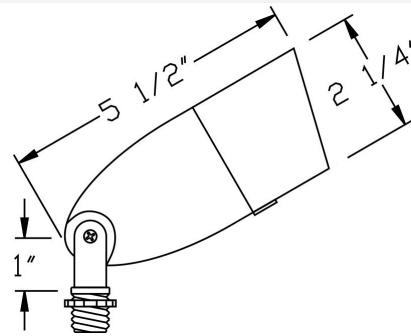


**Catalog#: 1071**  
**HOODED BULLET**

**Category** Landscape Lighting  
**Page** [G4](#)

**Specifications:**

**Material** Cast Aluminum  
**Voltage** 12 Volts  
**Lamp type** MR16 20W Lamp Included, 35W Max.  
**Lens type** Tempered Glass Lens  
**Socket** Premium grade Porcelain socket with Nickel contacts and Teflon-jacketed wire leads  
**Gasket** Sealed with high grade weatherproof Silicone Gasket  
**Wiring** Pre-wired with 24" SPT-1 Cord  
**Accessories** GS-85 PVC Spike  
 CO-3 Connector  
**Document** [Installation Instructions](#)  
**Certifications**



Cat. No.	Finishes	UPC
1071-BK	Black	615624266116
1071-BR	Bronze	615624266390
1071-WH	White	615624266406
1071-GN	Green	615624266413
1071-VG	Verde Green	615624266420



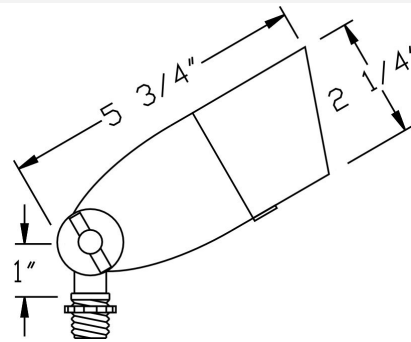


**Catalog#: 1081**  
**HOODED BULLET WITH KEY**

**Category** Landscape Lighting  
**Page** [G4](#)

**Specifications:**

**Material** Cast Aluminum  
**Voltage** 12 Volts  
**Lamp type** MR16 20W Lamp Included, 35W Max.  
**Lens type** Slip-on Cap w/ Tempered Glass Lens  
**Socket** Premium grade Porcelain socket with Nickel contacts and Teflon-jacketed wire leads  
**Gasket** Sealed with high grade weatherproof Silicone Gasket  
**Wiring** Pre-wired with 24" SPT-1 Cord  
**Accessories** Adjustable Key Knuckle  
 GS-85 PVC Spike  
 CO-3 Connector  
**Document** [Installation Instructions](#)  
**Certifications**



Cat. No.	Finishes	UPC
1081-BK	Black	615624266123
1081-BR	Bronze	615624266970
1081-VG	Verde Green	615624266987



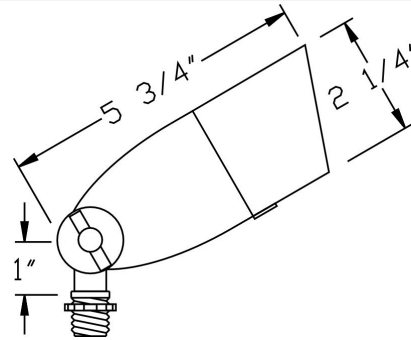


**Catalog#: B171**  
**35W MR16 CAST BRASS FIXTURE**

**Category** Landscape Lighting  
**Page** [G4](#)

**Specifications:**

**Material** Cast Brass  
**Voltage** 12 Volts  
**Lamp type** MR16 20W Lamp Included, 35W Max.  
**Lens type** Convex Tempered Glass Lens  
**Socket** Premium grade Porcelain socket with Nickel contacts and Teflon-jacketed wire leads  
**Gasket** Sealed with high grade weatherproof Silicone Gasket  
**Wiring** Pre-wired with 24" SPT-1 Cord  
**Accessories** Adjustable Key Knuckle  
 GS-85 PVC Spike  
 CO-3 Connector  
**Document** [Installation Instructions](#)  
**Certifications**



Cat. No.	Finishes	UPC
B171-AB	Antique Brass	615624266239
B171-AZ	Antique Bronze	615624266963
B171-ARB	Architectural Bronze	615624269117
B171-AG	Aged Green	615624266369



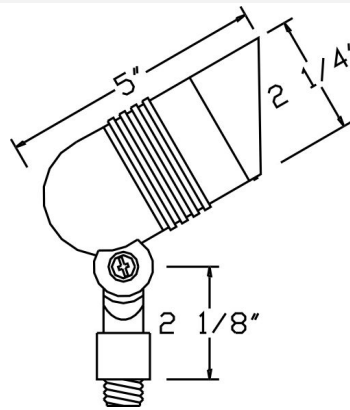


**Catalog#: 1051**  
**SLIM BULLET HOODED**

**Category** Landscape Lighting  
**Page** [G5](#)

**Specifications:**

**Material** Cast Aluminum  
**Voltage** 12 Volts  
**Lamp type** MR16 20W Lamp Included, 35W Max.  
**Lens type** Tempered Glass Lens  
**Socket** Premium grade Porcelain socket with Nickel contacts and Teflon-jacketed wire leads  
**Gasket** Sealed with high grade weatherproof Silicone Gasket  
**Wiring** Pre-wired with 24" SPT-1 Cord  
**Accessories** GS-85 PVC Spike  
[SWN-BK](#) Silicone Wire Nuts  
**Document** [Installation Instructions](#)  
**Certifications**



Cat. No.	Finish	UPC
*1051-BK	Black	615624264150
1051-GN	Green	615624266994
*1051-VG	Verde Green	615624264174

\*While Supplies Last



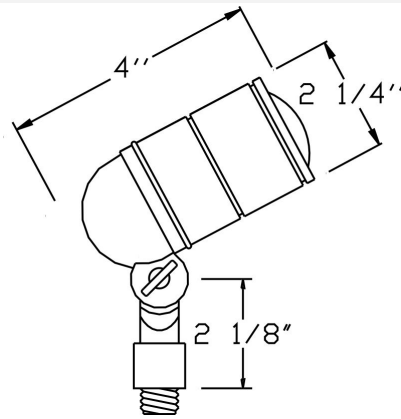


**Catalog#: S130**  
**S130 LANDSCAPE FIXTURE**

**Category** Landscape Lighting  
**Page** [G5](#)

**Specifications:**

**Material** Cast Aluminum  
**Voltage** 12 Volts  
**Lamp type** MR16 20W Lamp Included, 35W Max.  
**Lens type** Convex Tempered Glass Lens  
**Socket** Premium grade Porcelain socket with Nickel contacts and Teflon-jacketed wire leads  
**Gasket** Sealed with high grade weatherproof Silicone Gasket  
**Wiring** Pre-wired with 24" SPT-1 Cord  
**Accessories** Adjustable Key Knuckle  
 GS-85 PVC Spike  
[SWN-BK](#) Silicone Wire Nuts  
**Document** [Installation Instructions](#)  
**Certifications**



Cat. No.	Finish	UPC
S130-BK	Black	615624269247
S130-BR	Bronze	615624269254
*S130-RU	Rust	615624269292
*S130-SA	Sand	615624269278
*S130-VG	Verde Green	615624269285

\*While Supplies Last





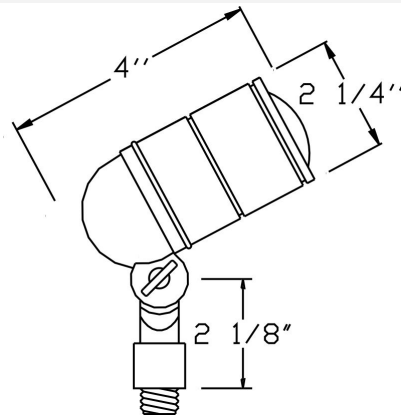


**Catalog#: S130**  
**S130 LANDSCAPE FIXTURE**

**Category** Landscape Lighting  
**Page** [G5](#)

**Specifications:**

**Material** Cast Aluminum  
**Voltage** 12 Volts  
**Lamp type** MR16 20W Lamp Included, 35W Max.  
**Lens type** Convex Tempered Glass Lens  
**Socket** Premium grade Porcelain socket with Nickel contacts and Teflon-jacketed wire leads  
**Gasket** Sealed with high grade weatherproof Silicone Gasket  
**Wiring** Pre-wired with 24" SPT-1 Cord  
**Accessories** Adjustable Key Knuckle  
 GS-85 PVC Spike  
 CO-3 Connector  
**Document** [Installation Instructions](#)  
**Certifications**



Cat. No.	Finishes	UPC
S130-BK	Black	615624269247
S130-BR	Bronze	615624269254
S130-RU	Rust	615624269292
S130-SA	Sand	615624269278
S130-VG	Verde Green	615624269285



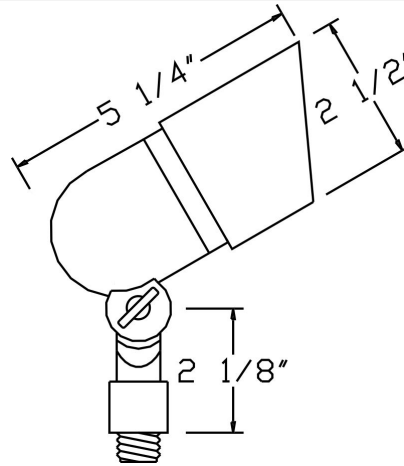


**Catalog#: S131**  
**S131 LANDSCAPE FIXTURE**

**Category** Landscape Lighting  
**Page** [G5](#)

**Specifications:**

**Material** Cast Aluminum  
**Voltage** 12 Volts  
**Lamp type** MR16 20W Lamp Included, 35W Max.  
**Lens type** Convex Tempered Glass Lens  
**Socket** Premium grade Porcelain socket with Nickel contacts and Teflon-jacketed wire leads  
**Gasket** Sealed with high grade weatherproof Silicone Gasket  
**Wiring** Pre-wired with 24" SPT-1 Cord  
**Accessories** Spring-mounted Directional Hood  
 Adjustable Key Knuckle  
 GS-85 PVC Spike  
 CO-3 Connector



**Document** [Installation Instructions](#)

**Certifications** 

Cat. No.	Finishes	UPC
S131-BK	Black	615624267403
S131-BR	Bronze	615624267410
S131-RU	Rust	615624269315
S131-SA	Sand	615624269322
S131-VG	Verde Green	615624267427



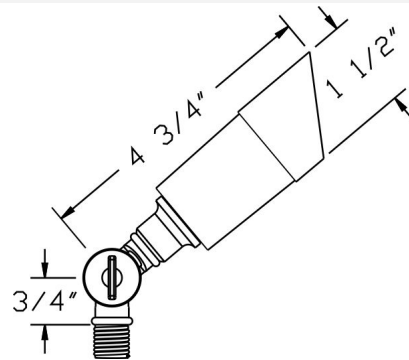


**Catalog#: B103**  
**MR11 BRASS BULLET**

**Category** Landscape Lighting  
**Page** [G8](#)

**Specifications:**

**Material** Cast Brass  
**Voltage** 12 Volts  
**Lamp type** MR11 20W Lamp Included, 35W Max.  
**Lens type** Tempered Glass Lens  
**Socket** Premium grade Porcelain socket with Nickel contacts and Teflon-jacketed wire leads  
**Gasket** Sealed with high grade weatherproof Silicone Gasket  
**Wiring** Pre-wired with 24" SPT-1 Cord  
**Accessories** Adjustable Key Knuckle  
 GS-85 PVC Spike  
[SWN-BK](#) Silicone Wire Nuts  
**Document** [Installation Instructions](#)  
**Certifications**



Cat. No.	Finish	UPC
B103-AB	Antique Brass	615624268974
B103-AZ	Antique Bronze	615624268981
*B103-ARB	Architectural Bronze	615624269070
B103-AG	Aged Green	615624268998

\*While Supplies Last



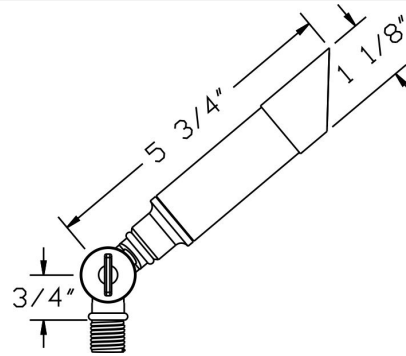


**Catalog#: B105**  
**MR8 BRASS BULLET**

**Category** Landscape Lighting  
**Page** [G8](#)

**Specifications:**

**Material** Cast Brass  
**Voltage** 12 Volts  
**Lamp type** MR8 10W Lamp Included, 20W Max.  
**Lens type** Tempered Glass Lens  
**Socket** Premium grade Porcelain socket with Nickel contacts and Teflon-jacketed wire leads  
**Gasket** Sealed with high grade weatherproof Silicone Gasket  
**Wiring** Pre-wired with 24" SPT-1 Cord  
**Accessories** Adjustable Key Knuckle  
 GS-85 PVC Spike  
[SWN-BK](#) Silicone Wire Nuts  
**Document** [Installation Instructions](#)  
**Certifications**



Cat. No.	Finish	UPC
B105-AZ	Antique Bronze	615624267359
B105-ARB	Architectural Bronze	615624269063
B105-AG	Aged Green	615624267366




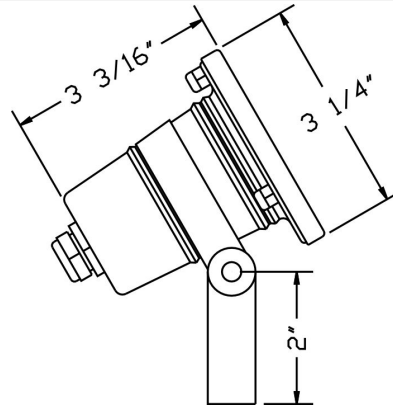


**Catalog#: SS110**  
**STAINLESS BULLET WITH HOOD 35W MAX**

**Category** Landscape Lighting  
**Page** [G6](#)

**Specifications:**

Material	Stainless Steel
Voltage	12 Volts
Lamp type	MR16 20W Lamp Included, 35W Max.
Lens type	Tempered Glass Lens
Socket	Premium grade Porcelain socket with Nickel contacts and Teflon-jacketed wire leads
Gasket	Sealed with high grade weatherproof Silicone Gasket
Wiring	Pre-wired with 24" SJT Cord
Accessories	GS-85 PVC Spike
Document	<a href="#">Installation Instructions</a>
Certifications	



Cat. No.	Finishes	UPC
SS110	Stainless Steel	615624267526



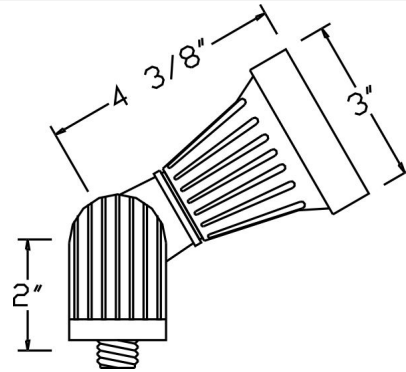


**Catalog#: 1020**  
**LARGE BULLET FIXTURE**

**Category** Landscape Lighting  
**Page** [G7](#)

**Specifications:**

**Material** Cast Aluminum  
**Voltage** 12 Volts  
**Lamp type** MR16 20W Lamp Included, 35W Max.  
**Lens type** Tempered Glass Lens  
**Socket** Premium grade Porcelain socket with Nickel contacts and Teflon-jacketed wire leads  
**Gasket** Sealed with high grade weatherproof Silicone Gasket  
**Wiring** Pre-wired with 24" SPT-1 Cord  
**Accessories** GS-85 PVC Spike  
 CO-3 Connector  
**Document** [Installation Instructions](#)  
**Certifications**



Cat. No.	Finishes	UPC
1020-BK	Black	615624266451
1020-BR	Bronze	615624266468
1020-WH	White	615624266499
1020-GN	Green	615624266482
1020-VG	Verde Green	615624266475



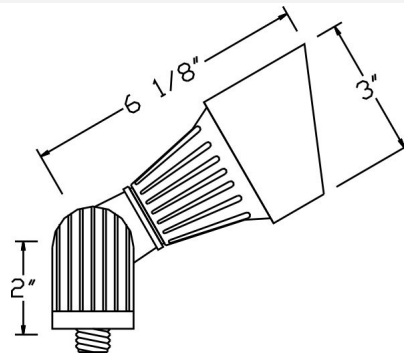


**Catalog#: 1021**  
**LARGE BULLET HOODED**

**Category** Landscape Lighting  
**Page** [G6](#)

**Specifications:**

**Material** Cast Aluminum  
**Voltage** 12 Volts  
**Lamp type** MR16 20W Lamp Included, 35W Max.  
**Lens type** Tempered Glass Lens  
**Socket** Premium grade Porcelain socket with Nickel contacts and Teflon-jacketed wire leads  
**Gasket** Sealed with high grade weatherproof Silicone Gasket  
**Wiring** Pre-wired with 24" SPT-1 Cord  
**Accessories** Adjustable Key Knuckle  
 GS-85 PVC Spike  
[SWN-BK](#) Silicone Wire Nuts  
**Document** [Installation Instructions](#)  
**Certifications**



Cat. No.	Finish	UPC
1021-BK	Black	615624264112
1021-BR	Bronze	615624264129
*1021-GN	Green	615624266505
1021-VG	Verde Green	615624264136

\*While Supplies Last



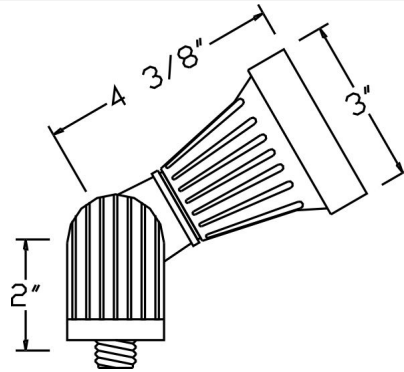


**Catalog#: FG1020**  
**FIBER GLASS SPOT LIGHT**

**Category** Landscape Lighting  
**Page** [G7](#)

**Specifications:**

Material	Composite
Voltage	12 Volts
Lamp type	MR16 20W Lamp Included, 35W Max.
Lens type	Tempered Glass Lens
Socket	Premium grade Porcelain socket with Nickel contacts and Teflon-jacketed wire leads
Gasket	Sealed with high grade weatherproof Silicone Gasket
Wiring	Pre-wired with 24" SPT-1 Cord
Accessories	GS-85 PVC Spike CO-3 Connector
Document	<a href="#">Installation Instructions</a>
Certifications	



Cat. No.	Finishes	UPC
FG1020-BK	Black	615624267588





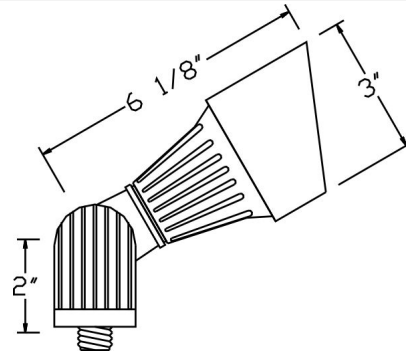


**Catalog#: FG1021**  
**FIBER GLASS SPOT LIGHT W/ HOOD**

**Category** Landscape Lighting  
**Page** [G7](#)

**Specifications:**

**Material** Composite  
**Voltage** 12 Volts  
**Lamp type** MR16 20W Lamp Included, 35W Max.  
**Lens type** Tempered Glass Lens  
**Socket** Premium grade Porcelain socket with Nickel contacts and Teflon-jacketed wire leads  
**Gasket** Sealed with high grade weatherproof Silicone Gasket  
**Wiring** Pre-wired with 24" SPT-1 Cord  
**Accessories** GS-85 PVC Spike  
 CO-3 Connector  
**Document** [Installation Instructions](#)  
**Certifications**



Cat. No.	Finishes	UPC
FG1021-BK	Black	615624267601
FG1021-GN	Green	615624267618



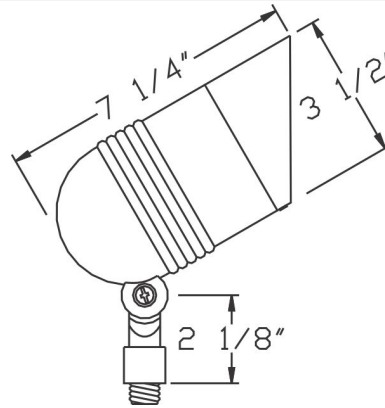


**Catalog#: 1061**  
**75W MR16 BULLET**

**Category** Landscape Lighting  
**Page** [G8](#)

**Specifications:**

**Material** Cast Aluminum  
**Voltage** 12 Volts  
**Lamp type** MR16 50W Lamp Included, 75W Max.  
**Lens type** Tempered Glass Lens  
**Socket** Premium grade Porcelain socket with Nickel contacts and Teflon-jacketed wire leads  
**Gasket** Sealed with high grade weatherproof Silicone Gasket  
**Wiring** Pre-wired with 24" SPT-1 Cord  
**Accessories** GS-85 PVC Spike  
[SWN-BK](#) Silicone Wire Nuts  
**Document** [Installation Instructions](#)  
**Certifications**



Cat. No.	Finish	UPC
1061-BR	Bronze	615624264198



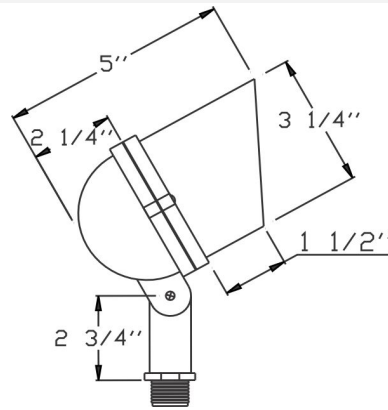


**Catalog#: 1091**  
**75W MAR16 BULLET**

**Category** Landscape Lighting  
**Page** [G8](#)

**Specifications:**

**Material** Cast Aluminum  
**Voltage** 12 Volts  
**Lamp type** MR16 50W Lamp Included, 75W Max.  
**Lens type** Tempered Glass Lens  
**Socket** Premium grade Porcelain socket with Nickel contacts and Teflon-jacketed wire leads  
**Gasket** Sealed with high grade weatherproof Silicone Gasket  
**Wiring** Pre-wired with 24" SPT-1 Cord  
**Accessories** GS-85 PVC Spike  
 CO-3 Connector  
**Document** [Installation Instructions](#)  
**Certifications**



Cat. No.	Finishes	UPC
1091-BK	Black	615624269421
1091-BR	Bronze	615624269438




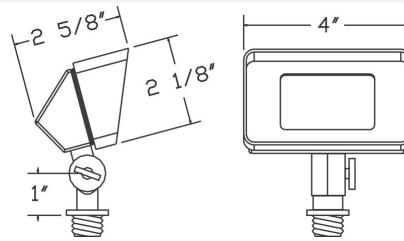


**Catalog#: B610**  
**SOLID BRASS RECTANGLE SPOT**

**Category** Landscape Lighting  
**Page** [G8](#)

**Specifications:**

Material	Cast Brass
Voltage	12 Volts
Lamp type	JC Bi-Pin 20W Lamp Included, 50W Max.
Lens type	Tempered Glass Lens
Socket	Premium grade Porcelain socket with Nickel contacts and Teflon-jacketed wire leads
Gasket	Sealed with high grade weatherproof Silicone Gasket
Wiring	Pre-wired with 24" SPT-1 Cord
Accessories	Adjustable Key Knuckle GS-85 PVC Spike CO-3 Connector
Document	<a href="#">Installation Instructions</a>
Certifications	



Cat. No.	Finishes	UPC
B610-AZ	Antique Bronze	615624269018
B610-ARB	Architectural Bronze	615624269032
B610-AG	Aged Green	615624269025






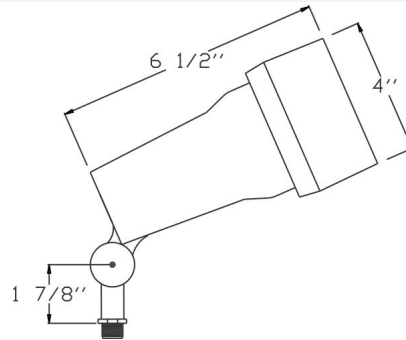
**Catalog#: HL20S-12V**  
**75W MR16 DIRECTIONAL LIGHT**

**Category** Landscape Lighting

**Page** [140](#)

**Specifications:**

Material	Cast Aluminum
Voltage	12 Volts
Lamp type	MR16 50W Lamp Included, 75W Max.
Lens type	Tempered Glass Lens
Socket	Premium grade Porcelain socket with Nickel contacts and Teflon-jacketed wire leads
Gasket	Sealed with high grade weatherproof Silicone Gasket
Wiring	Pre-wired with 24" SPT-1 Cord
Accessories	GS-85 PVC Spike <a href="#">SWN-BK</a> Silicone Wire Nuts
Document	<a href="#">Installation Instructions</a>
Certifications	



Cat. No.	Finish	UPC
HL20S-12V-BR	Bronze	615624373319
HL20S-12V-WH	White	615624373333
HL20S-12V-GN	Green	615624373326



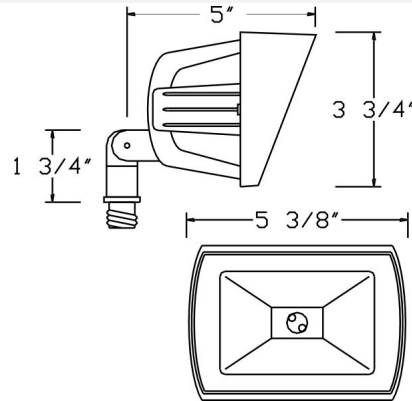


**Catalog#: 6011**  
**RECTANGULAR FLOOD**

**Category** Landscape Lighting  
**Page** [G9](#)

**Specifications:**

**Material** Cast Aluminum  
**Voltage** 12 Volts  
**Lamp type** JC Bi-Pin 20W Lamp Included, 50W Max.  
**Lens type** Tempered Glass Lens  
**Socket** Premium grade Porcelain socket with Nickel contacts and Teflon-jacketed wire leads  
**Gasket** Sealed with high grade weatherproof Silicone Gasket  
**Wiring** Pre-wired with 24" SPT-1 Cord  
**Accessories** Adjustable Key Knuckle  
 GS-85 PVC Spike  
 CO-3 Connector  
**Document** [Installation Instructions](#)  
**Certifications**



Cat. No.	Finishes	UPC
6011-BK	Black	615624267625
6011-BR	Bronze	615624267632
6011-WH	White	615624267656
6011-VG	Green	615624267649






**Catalog#: B150SH**

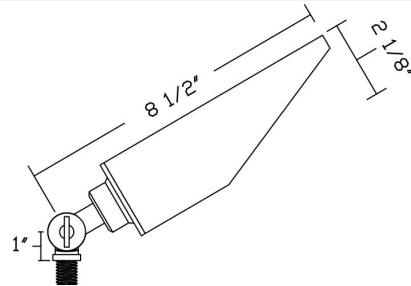
**DIRECTIONAL LIGHT EG OUTDOOR  
 SPECIAL BRASS BULLET - ARCHITECTURAL BRONZE**

**Category** Landscape Lighting

**Page** [G9](#)

**Specifications:**

Material	Solid Brass
Voltage	12 Volts
Lamp type	MR16 20W Lamp Included, 35W Max.
Lens type	Convex Tempered Glass Lens
Socket	Premium grade Porcelain socket with Nickel contacts and Teflon-jacketed wire leads
Gasket	Sealed with high grade weatherproof Silicone Gasket
Wiring	Pre-wired with 24" SPT-1 Cord
Accessories	Adjustable Key Knuckle GS-85 PVC Spike CO-3T Connector
Document	<a href="#">Installation Instructions</a>
Certifications	



Cat. No.	Finishes	UPC
B150SH-ARB	Architectural Bronze	615624387521




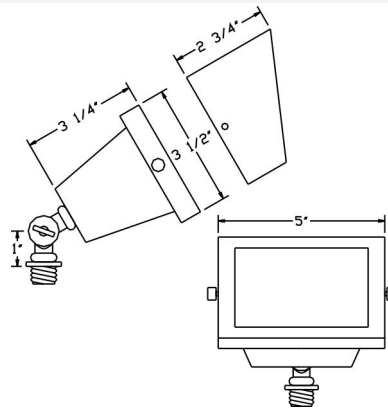


**Catalog#: B310**  
**SOLID BRASS RECTANGLE SPOT**

**Category** Landscape Lighting  
**Page** [G7](#)

**Specifications:**

**Material** Solid Brass  
**Voltage** 12 Volts  
**Lamp type** JC Bi-Pin 20W Lamp Included, 50W Max.  
**Lens type** Tempered Glass Lens  
**Socket** Premium grade Porcelain socket with Nickel contacts and Teflon-jacketed wire leads  
**Gasket** Sealed with high grade weatherproof Silicone Gasket  
**Wiring** Pre-wired with 24" SPT-1 Cord  
**Accessories** Adjustable Key Knuckle  
 Removable Visor  
 GS-85 PVC Spike  
[SWN-BK](#) Silicone Wire Nuts  
**Document** [Installation Instructions](#)  
**Certifications** 



Cat. No.	Finishes	UPC
B310-AZ	Antique Bronze	615624271868
B310-NB	Natural Brass	615624264037






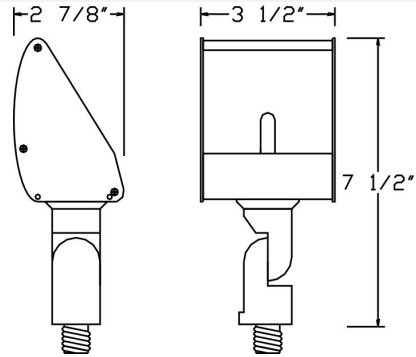


**Catalog#: S610**  
**SIG. SERIES SQUARE QUARTZ FLOOD**

**Category** Landscape Lighting

**Specifications:**

Material	Cast Aluminum
Voltage	12 Volts
Lamp type	JC Bi-Pin 20W Lamp Included, 50W Max.
Lens type	Tempered Glass Lens
Socket	Premium grade Porcelain socket with Nickel contacts and Teflon-jacketed wire leads
Gasket	Sealed with high grade weatherproof Silicone Gasket
Wiring	Pre-wired with 24" SPT-1 Cord
Accessories	Adjustable Key Knuckle GS-85 PVC Spike <a href="#">SWN-BK</a> Silicone Wire Nuts
Document	<a href="#">Installation Instructions</a>
Certifications	



Cat. No.	Finish	UPC
*S610-BK	Black	615624264211
*S610-BR	Bronze	615624264228
S610-WH	White	615624264242
S610-VG	Verde Green	615624264235

\*While Supplies Last



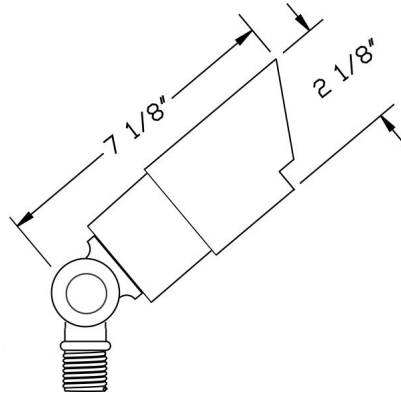


**Catalog#: B151**  
**DIRECTIONAL LIGHT WITH SHROUD, 35W MAX**

**Category** Landscape Lighting  
**Page** [G10](#)

**Specifications:**

**Material** Solid Brass  
**Voltage** 12 Volts  
**Lamp type** MR16 20W Lamp Included, 35W Max.  
**Lens type** Tempered Glass Lens  
**Socket** Premium grade Porcelain socket with Nickel contacts and Teflon-jacketed wire leads  
**Gasket** Sealed with high grade weatherproof Silicone Gasket  
**Wiring** Pre-wired with 24" SPT-1 Cord  
**Accessories** GS-85 PVC Spike  
 CO-3T Connector  
**Document** [Installation Instructions](#)  
**Certifications**



Cat. No.	Finishes	UPC
B151-ARB	Architectural Bronze	615624000260



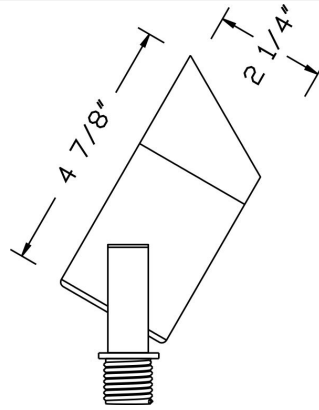


**Catalog#: B152**  
**DIRECTIONAL LIGHT WITH SHROUD, 35W MAX**

**Category** Landscape Lighting  
**Page** [G10](#)

**Specifications:**

**Material** Solid Brass  
**Voltage** 12 Volts  
**Lamp type** MR16 20W Lamp Included, 35W Max.  
**Lens type** Tempered Glass Lens  
**Socket** Premium grade Porcelain socket with Nickel contacts and Teflon-jacketed wire leads  
**Gasket** Sealed with high grade weatherproof Silicone Gasket  
**Wiring** Pre-wired with 24" SPT-1 Cord  
**Accessories** GS-85 PVC Spike  
 CO-3T Connector  
**Document** [Installation Instructions](#)  
**Certifications**



Cat. No.	Finishes	UPC
B152-ARB	Architectural Bronze	615624000284



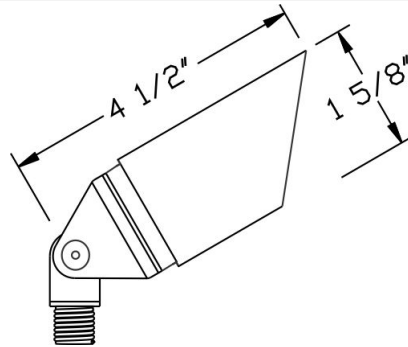


**Catalog#: B153**  
**DIRECTIONAL LIGHT WITH SHROUD, MR11 35W MAX**

**Category** Landscape Lighting  
**Page** [G10](#)

**Specifications:**

**Material** Solid Brass  
**Voltage** 12 Volts  
**Lamp type** MR11 20W Lamp Included, 35W Max.  
**Lens type** Tempered Glass Lens  
**Socket** Premium grade Porcelain socket with Nickel contacts and Teflon-jacketed wire leads  
**Gasket** Sealed with high grade weatherproof Silicone Gasket  
**Wiring** Pre-wired with 24" SPT-1 Cord  
**Accessories** GS-85 PVC Spike  
 CO-3T Connector  
**Document** [Installation Instructions](#)  
**Certifications**



Cat. No.	Finishes	UPC
B153-ARB	Architectural Bronze	615624000291





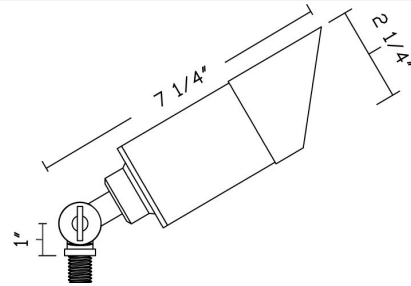
**Catalog#: B160SH**

**DIRECTIONAL EG OUTDOOR SPECIAL  
BRASS BULLET WITH SHROUD - ARB**

**Category** Landscape Lighting  
**Page** [G10](#)

**Specifications:**

**Material** Solid Brass  
**Voltage** 12 Volts  
**Lamp type** MR16 20W Lamp Included, 35W Max.  
**Lens type** Tempered Glass Lens  
**Socket** Premium grade Porcelain socket with Nickel contacts and Teflon-jacketed wire leads  
**Gasket** Sealed with high grade weatherproof Silicone Gasket  
**Wiring** Pre-wired with 24" SPT-1 Cord  
**Accessories** Adjustable Key Knuckle  
 GS-85 PVC Spike  
 CO-3T Connector  
**Document** [Installation Instructions](#)  
**Certifications**



Cat. No.	Finishes	UPC
B160SH-ARB	Architectural Bronze	615624387538



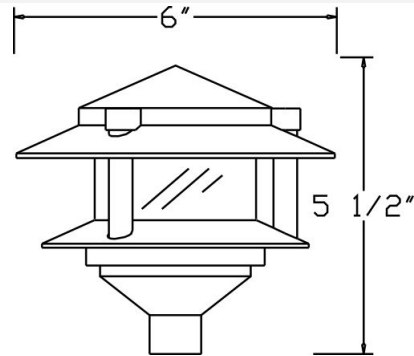


**Catalog#: 2020**  
**2-TIER LOW-VOLTAGE PAGODA LIGHT**

**Category** Landscape Lighting  
**Page** [G11](#)

**Specifications:**

**Material** Cast Aluminum  
**Voltage** 12 Volts  
**Lamp type** JC Bi-Pin 20W Lamp Included, 20W Max.  
**Lens type** Frosted Glass Lens Only  
**Socket** Premium grade Porcelain socket with Nickel contacts and Teflon-jacketed wire leads  
**Gasket** Sealed with high grade weatherproof Silicone Gasket  
**Wiring** Pre-wired with 24" SPT-1 Cord  
**Accessories** 2-Tier  
 4" Extension Wand  
 GS-85 PVC Spike  
 CO-3 Connector



**Document** [Installation Instructions](#)

**Certifications** 

Cat. No.	Finishes	UPC
2020-BK	Black	615624264297
2020-BR	Bronze	615624267021
2020-GN	Green	615624264303
2020-VG	Verde Green	615624264310



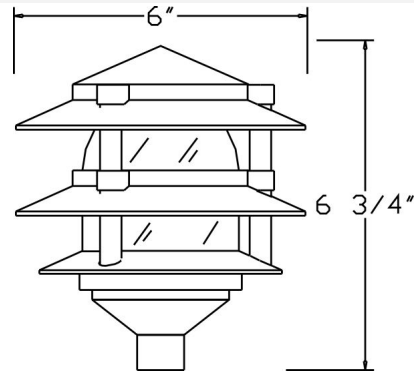


**Catalog#: 2030**  
**3-TIER LOW-VOLTAGE PAGODA LIGHT**

**Category** Landscape Lighting  
**Page** [G9](#)

**Specifications:**

**Material** Cast Aluminum  
**Voltage** 12 Volts  
**Lamp type** JC Bi-Pin 20W Lamp Included, 50W Max.  
**Lens type** Frosted Glass Lens - Standard, Clear lens by request  
**Socket** Premium grade Porcelain socket with Nickel contacts and Teflon-jacketed wire leads  
**Gasket** Sealed with high grade weatherproof Silicone Gasket  
**Wiring** Pre-wired with 24" SPT-1 Cord  
**Accessories** 3-Tier  
 8" Extension Wand  
 GS-85 PVC Spike  
[SWN-BK](#) Silicone Wire Nuts  
**Document** [Installation Instructions](#)



**Certifications**



Cat. No.	Finish	UPC	Cat. No.	Finish	UPC
2030-F-GN	Green	615624264334	2030-C-GN	Green	615624376808
2030-F-VG	Verde Green	615624264341	2030-C-VG	Verde Green	615624376822
*2030-F-SA	Sand	615624269452	*2030-C-SA	Sand	615624376815
			2030-C-BR	Bronze	615624376792

**F is Frosted Glass Lens Type; C is Clear Glass Lens Type.**

\*While Supplies Last

\*\*SEE [L2030B](#) FOR BLACK FINISH



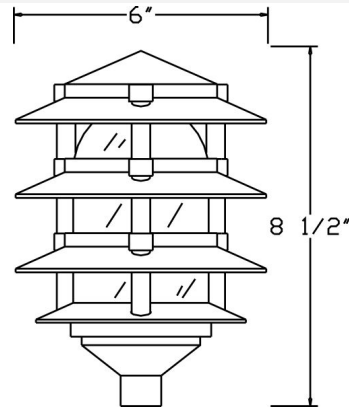


**Catalog#: 2040**  
**4-TIER LOW-VOLT. PAGODA LIGHT**

**Category** Landscape Lighting  
**Page** [G12](#)

**Specifications:**

**Material** Cast Aluminum  
**Voltage** 12 Volts  
**Lamp type** JC Bi-Pin 20W Lamp Included, 50W Max.  
**Lens type** Frosted Glass Lens - Standard, Clear lens by request  
**Socket** Premium grade Porcelain socket with Nickel contacts and Teflon-jacketed wire leads  
**Gasket** Sealed with high grade weatherproof Silicone Gasket  
**Wiring** Pre-wired with 24" SPT-1 Cord  
**Accessories** 4-Tier, Large top  
 8" Extension Wand  
 GS-85 PVC Spike  
 CO-3 Connector  
**Document** [Installation Instructions](#)  
**Certifications**



Cat. No.	Finishes	UPC
2040-BK	Black	615624264440
2040-BR	Bronze	615624266567
2040-GN	Green	615624264457
2040-VG	Verde Green	615624264464





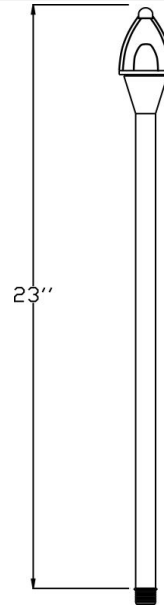


**Catalog#: B18S**  
**B180 SERIES PATHLIGHT STEM COMPONENT**

**Category** Landscape Lighting  
**Page** [G13](#)

**Specifications:**

**Material** Solid Brass  
**Voltage** 12 Volts  
**Lamp type** JC Bi-Pin 20W Lamp Included, 20W Max.  
**Socket** Premium grade Porcelain socket with Nickel contacts and Teflon-jacketed wire leads  
**Gasket** Sealed with high grade weatherproof Silicone Gasket  
**Wiring** Pre-wired with 24" SPT-1 Cord  
**Accessories** GS-10 Super Spike  
 CO-3 Connector  
**Document** [Installation Instructions](#)  
**Certifications**



Cat. No.	Finishes	UPC
B18S-AB	Antique Brass	615624271745
B18S-AZ	Antique Bronze	615624271769
B18S-ARB	Architectural Bronze	615624271752





**Catalog#: B181C**  
**SHADE FOR B180 OR B280 SERIES**

**Category** Landscape Lighting  
**Page** [G13](#)

**Specifications:**

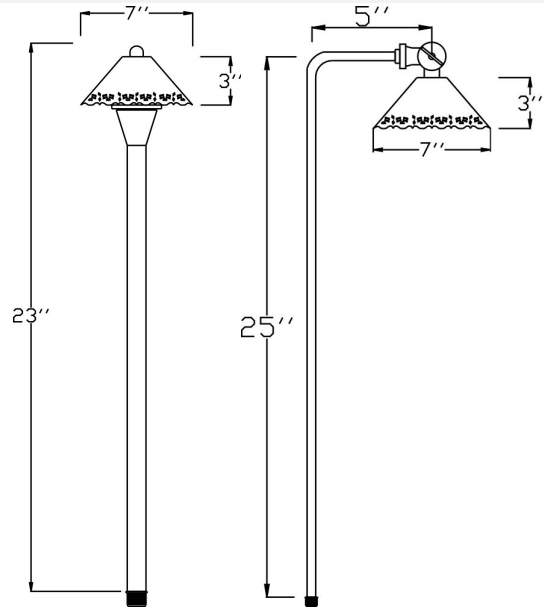
**Material** Solid Brass

**Voltage** 12 Volts

**Lamp type** JC Bi-Pin 20W Lamp Included, 20W Max.

**Accessories** GS-10 Super Spike  
CO-3 Connector

**Stem Type** [B18S](#) and [B28S](#)



Cat. No.	Finishes	UPC
B181C-AB	Antique Brass	615624271561
B181C-AZ	Antique Bronze	615624271585
B181C-ARB	Architectural Bronze	615624271578





**Catalog#: B182C**

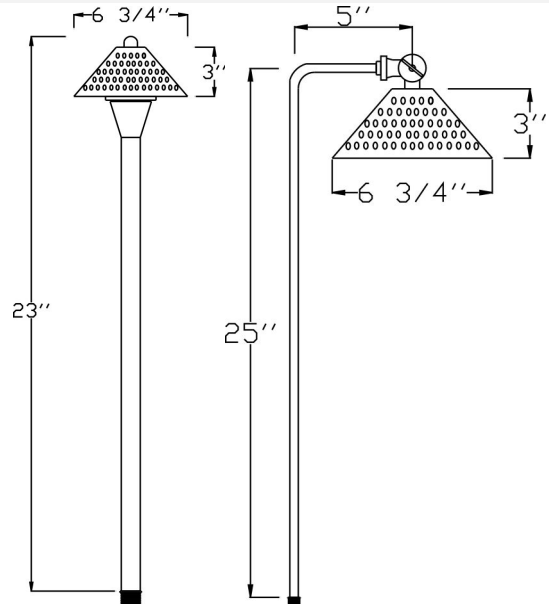
**SHADE FOR B180 OR B280 SERIES**

**Category** Landscape Lighting

**Page** [G13](#)

**Specifications:**

Material	Solid Brass
Voltage	12 Volts
Lamp type	JC Bi-Pin 20W Lamp Included, 20W Max.
Accessories	GS-10 Super Spike CO-3 Connector
Stem Type	<a href="#">B18S</a> and <a href="#">B28S</a>



Cat. No.	Finishes	UPC
B182C-AB	Antique Brass	615624271592
B182C-AZ	Antique Bronze	615624271615
B182C-ARB	Architectural Bronze	615624271608



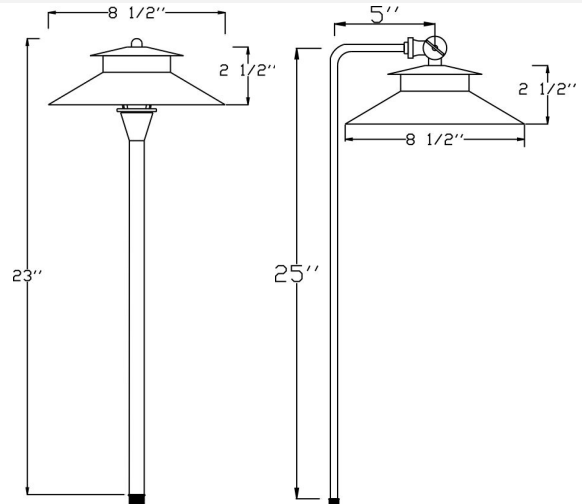


**Catalog#: B183C**  
**SHADE FOR B180 or B280 SERIES**

**Category** Landscape Lighting  
**Page** [G13](#)

**Specifications:**

**Material** Solid Brass  
**Voltage** 12 Volts  
**Lamp type** JC Bi-Pin 20W Lamp Included, 20W Max.  
**Accessories** GS-10 Super Spike  
 CO-3 Connector  
**Stem Type** [B18S](#) and [B28S](#)



Cat. No.	Finishes	UPC
B183C-AB	Antique Brass	615624271622
B183C-ARB	Architectural Bronze	615624271639



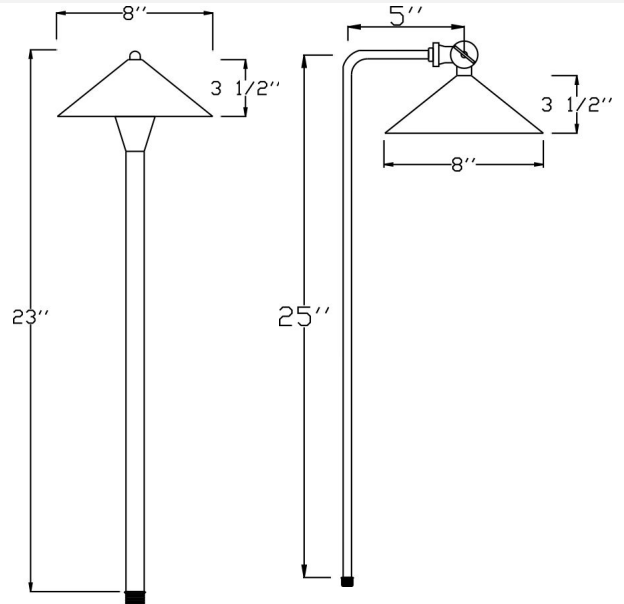


**Catalog#: B184C**  
**SHADE FOR B180 or B280 SERIES**

**Category** Landscape Lighting  
**Page** [G13](#)

**Specifications:**

**Material** Solid Brass  
**Voltage** 12 Volts  
**Lamp type** JC Bi-Pin 20W Lamp Included, 20W Max.  
**Accessories** GS-10 Super Spike  
 CO-3 Connector  
**Stem Type** [B18S](#) and [B28S](#)



Cat. No.	Finishes	UPC
B184C-AB	Antique Brass	615624271653
B184C-AZ	Antique Bronze	615624271677
B184C-ARB	Architectural Bronze	615624271660





**Catalog#: B185C**  
**SHADE FOR B180 OR B280 SERIES**

**Category** Landscape Lighting  
**Page** [110](#)

**Specifications:**

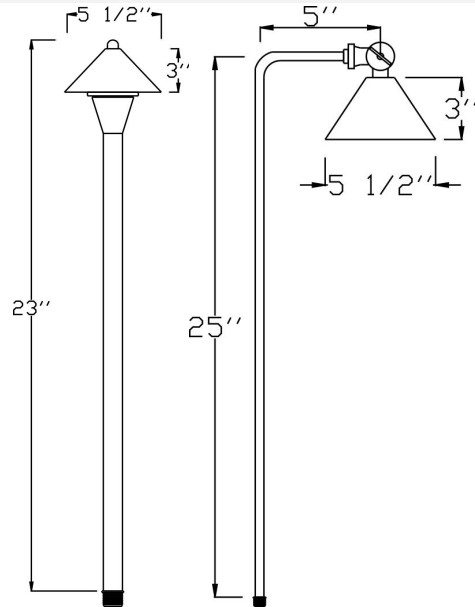
**Material** Solid Brass

**Voltage** 12 Volts

**Lamp type** JC Bi-Pin 20W Lamp Included, 20W Max.

**Accessories** GS-10 Super Spike  
[SWN-BK](#) Silicone Wire Nuts

**Stem Type** [B18S](#) and [B28S](#)



Cat. No.	Finish	UPC
B185C-AB	Antique Brass	615624271684





**Catalog#: B186C**  
**SHADE FOR B180 OR B280 SERIES**

**Category** Landscape Lighting  
**Page** [G11](#)

**Specifications:**

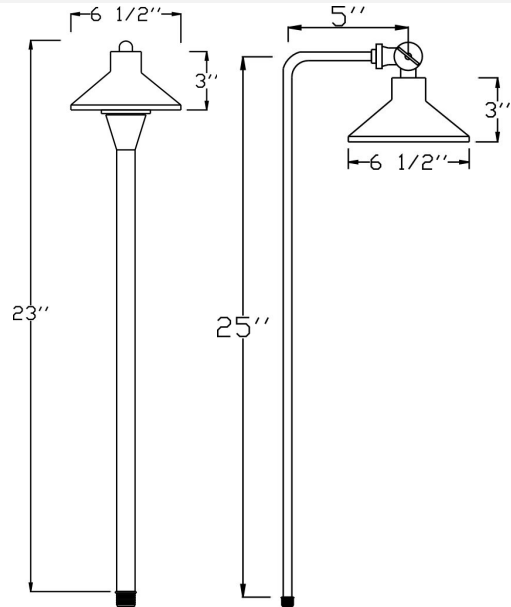
**Material** Solid Brass

**Voltage** 12 Volts

**Lamp type** JC Bi-Pin 20W Lamp Included, 20W Max.

**Accessories** GS-10 Super Spike  
[SWN-BK](#) Silicone Wire Nuts

**Stem Type** [B18S](#) and [B28S](#)



Cat. No.	Finish	UPC
B186C-AB	Antique Brass	615624271714
B186C-AZ	Antique Bronze	615624271738



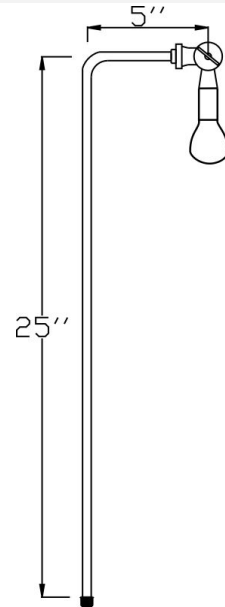


**Catalog#: B28S**  
**B280S SERIES PATHLIGHT STEM COMPONENT**

**Category** Landscape Lighting  
**Page** [G14](#)

**Specifications:**

**Material** Solid Brass  
**Voltage** 12 Volts  
**Lamp type** 18W Bayonet Lamp, 26W Max.  
**Socket** Premium grade Porcelain socket with Nickel contacts and Teflon-jacketed wire leads  
**Gasket** Sealed with high grade weatherproof Silicone Gasket  
**Wiring** Pre-wired with 24" SPT-1 Cord  
**Accessories** GS-10 Super Spike  
 CO-3 Connector  
**Document** [Installation Instructions](#)  
**Certifications**



Cat. No.	Finishes	UPC
B28S-AB	Antique Brass	615624374651
B28S-AZ	Antique Bronze	615624374675
B28S-ARB	Architectural Bronze	615624374668






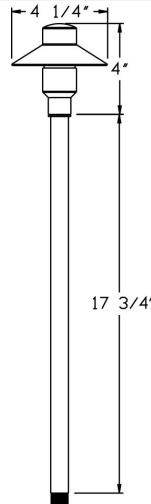


**Catalog#: B224**  
**MINI BRASS MUSHROOM**

**Category** Landscape Lighting  
**Page** [G12](#)

**Specifications:**

Material	Solid Brass
Voltage	12 Volts
Lamp type	JC Bi-Pin 20W Lamp Included, 20W Max.
Lens type	Frosted Glass Lens
Socket	Premium grade Porcelain socket with Nickel contacts and Teflon-jacketed wire leads
Gasket	Sealed with high grade weatherproof Silicone Gasket
Wiring	Pre-wired with 24" SPT-1 Cord
Accessories	GS-10 Super Spike <a href="#">SWN-BK</a> Silicone Wire Nuts
Document	<a href="#">Installation Instructions</a>
Certifications	



Cat. No.	Finish	UPC
B224-AZ	Antique Bronze	615624267700
B224-ARB	Architectural Bronze	615624271776
B224-AG	Aged Green	615624267717




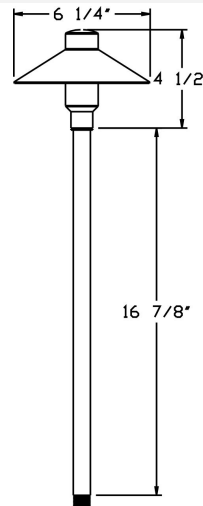


**Catalog#: B225**  
**BRASS MUSHROOM**

**Category** Landscape Lighting  
**Page** [G15](#)

**Specifications:**

Material	Solid Brass
Voltage	12 Volts
Lamp type	JC Bi-Pin 20W Lamp Included, 20W Max.
Lens type	Frosted Glass Lens
Socket	Premium grade Porcelain socket with Nickel contacts and Teflon-jacketed wire leads
Gasket	Sealed with high grade weatherproof Silicone Gasket
Wiring	Pre-wired with 24" SPT-1 Cord
Accessories	GS-10 Super Spike CO-3 Connector
Document	<a href="#">Installation Instructions</a>
Certifications	



Cat. No.	Finishes	UPC
B225-AB	Antique Brass	615624267724
B225-AZ	Antique Bronze	615624267731
B225-ARB	Architectural Bronze	615624271783
B225-AG	Aged Green	615624267748



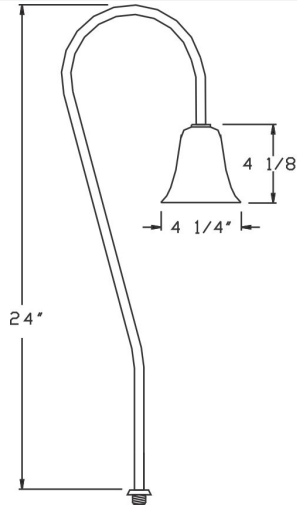


**Catalog#: B104**  
**SOLID BRASS BELL FIXTURE**

**Category** Landscape Lighting  
**Page** [G16](#)

**Specifications:**

**Material** Solid Brass  
**Voltage** 12 Volts  
**Lamp type** Bayonet 18W Lamp Included, 26W Max.  
**Socket** Premium grade Porcelain socket with Nickel contacts and Teflon-jacketed wire leads  
**Gasket** Sealed with high grade weatherproof Silicone Gasket  
**Wiring** Pre-wired with 24" SPT-1 Cord  
**Accessories** GS-10 Super Spike  
 CO-3 Connector  
**Document** [Installation Instructions](#)  
**Certifications**



Cat. No.	Finishes	UPC
B104-AB	Antique Brass	615624267755
B104-AZ	Antique Bronze	615624267762
B104-ARB	Architectural Bronze	615624271271
B104-AG	Aged Green	615624267779





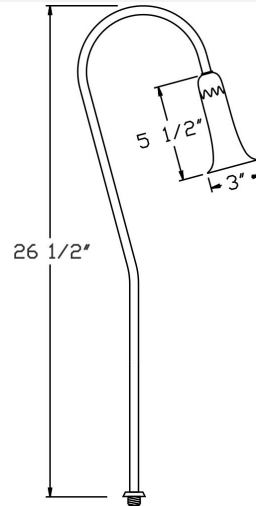
**Catalog#: B106**

**BRASS PATH FIXTURE WITH GLASS BELL**

**Category** Landscape Lighting

**Specifications:**

Material	Solid Brass
Voltage	12 Volts
Lamp type	Bayonet 18W Lamp Included, 26W Max.
Glass Shade Color (Specify)	Amber/Green (AMB) Frosted White (WH)
Socket	Premium grade Porcelain socket with Nickel contacts and Teflon-jacketed wire leads
Gasket	Sealed with high grade weatherproof Silicone Gasket
Wiring	Pre-wired with 24" SPT-1 Cord
Accessories	GS-10 Super Spike <a href="#">SWN-BK</a> Silicone Wire Nuts
Document	<a href="#">Installation Instructions</a>
Certifications	



Glass Shade Included: Amber/Green			Glass Shade Included: Frosted White		
Cat. No.	Finish	UPC	Cat. No.	Finish	UPC
*B106-AZ-AMB	Antique Bronze	615624271356	*B106-ARB-WH	Architectural Bronze	615624271332

\*While Supplies Last





**Catalog#: B106-GLASS**  
**B106 GLASS SHADE ONLY**

**Category**

Landscape Lighting

**Features:**

Replacement Glass for B106  
 S Hooks Included

**Packaging Info:**

Std Pkg

BULK

Cat. No.	Finish	UPC
*B106-GLASS-AMB	Amber	615624271363

\* While Supplies Last





**Catalog#: BPS04**  
**BRASS PATHWAY LIGHT PIPE SUPPORT**

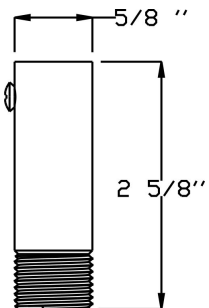
**Category** Landscape Lighting  
**Page** [G16](#)  
**Barcode** 615624376037

**Description:**

Pathway Light Pipe  
Support

**Features:**

Fits 1/2" Threads



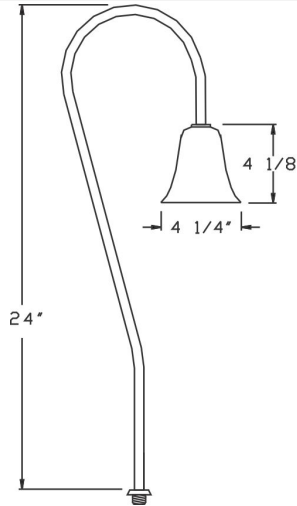


**Catalog#: C104**  
**SOLID COPPER BELL FIXTURE - NATURAL COPPER**

**Category** Landscape Lighting  
**Page** [G16](#)

**Specifications:**

**Material** Solid Copper  
**Voltage** 12 Volts  
**Lamp type** Bayonet 18W Lamp Included, 26W Max.  
**Socket** Premium grade Porcelain socket with Nickel contacts and Teflon-jacketed wire leads  
**Gasket** Sealed with high grade weatherproof Silicone Gasket  
**Wiring** Pre-wired with 24" SPT-1 Cord  
**Accessories** GS-10 Super Spike  
 CO-3 Connector  
**Document** [Installation Instructions](#)  
**Certifications**



Cat. No.	Finishes	UPC
C104	Natural Copper	615624264020



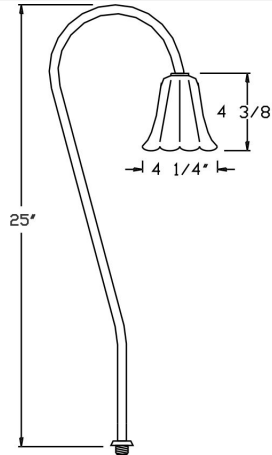


**Catalog#: S220**  
**S220 LANDSCAPE FIXTURE**

**Category** Landscape Lighting  
**Page** [G17](#)

**Specifications:**

**Material** Cast Aluminum  
**Voltage** 12 Volts  
**Lamp type** Bayonet 18W Lamp Included, 26W Max.  
**Socket** Premium grade Porcelain socket with Nickel contacts and Teflon-jacketed wire leads  
**Gasket** Sealed with high grade weatherproof Silicone Gasket  
**Wiring** Pre-wired with 24" SPT-1 Cord  
**Accessories** GS-10 Super Spike  
 CO-3 Connector  
**Document** [Installation Instructions](#)  
**Certifications**



Cat. No.	Finishes	UPC
S220-BK	Black	615624264532
S220-BR	Bronze	615624264549
S220-RU	Rust	615624264563
S220-VG	Verde Green	615624264556





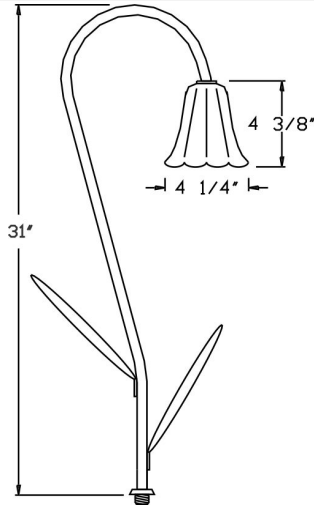


**Catalog#: S221**  
**S221 LANDSCAPE FIXTURE**

**Category** Landscape Lighting  
**Page** [G15](#)

**Specifications:**

**Material** Cast Aluminum  
**Voltage** 12 Volts  
**Lamp type** Bayonet 18W Lamp Included, 26W Max.  
**Socket** Premium grade Porcelain socket with Nickel contacts and Teflon-jacketed wire leads  
**Gasket** Sealed with high grade weatherproof Silicone Gasket  
**Wiring** Pre-wired with 24" SPT-1 Cord  
**Accessories** GS-10 Super Spike  
[SWN-BK](#) Silicone Wire Nuts  
**Document** [Installation Instructions](#)  
**Certifications**



Cat. No.	Finish	UPC
S221-BR	Bronze	615624264549
S221-RU	Rust	615624264563
*S221-VG	Verde Green	615624264556

\*While Supplies Last



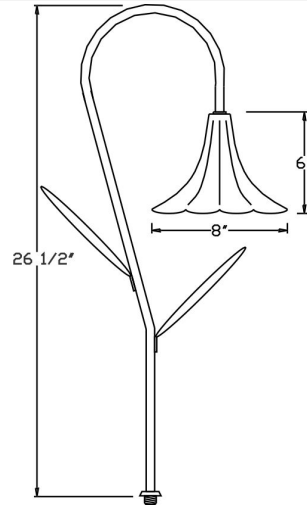


**Catalog#: S222**  
**S222 LANDSCAPE FIXTURE**

**Category** Landscape Lighting  
**Page** [G17](#)

**Specifications:**

**Material** Cast Aluminum  
**Voltage** 12 Volts  
**Lamp type** Bayonet 18W Lamp Included, 26W Max.  
**Socket** Premium grade Porcelain socket with Nickel contacts and Teflon-jacketed wire leads  
**Gasket** Sealed with high grade weatherproof Silicone Gasket  
**Wiring** Pre-wired with 24" SPT-1 Cord  
**Accessories** GS-10 Super Spike  
 CO-3 Connector  
**Document** [Installation Instructions](#)  
**Certifications**



Cat. No.	Finishes	UPC
S222-BK	Black	615624264532
S222-BR	Bronze	615624264549
S222-RU	Rust	615624264563
S222-VG	Verde Green	615624264556



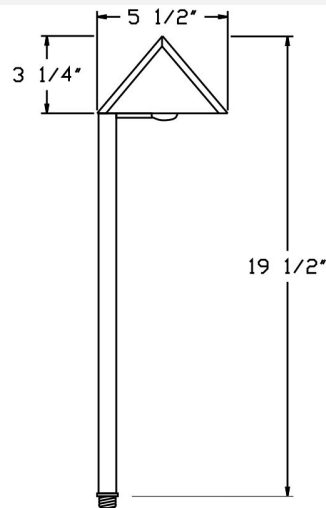


**Catalog#: B107**  
**BRASS PYRAMID PATH LIGHT**

**Category** Landscape Lighting  
**Page** [G18](#)

**Specifications:**

**Material** Solid Brass  
**Voltage** 12 Volts  
**Lamp type** Bayonet 18W Lamp Included, 26W Max.  
**Socket** Premium grade Porcelain socket with Nickel contacts and Teflon-jacketed wire leads  
**Gasket** Sealed with high grade weatherproof Silicone Gasket  
**Wiring** Pre-wired with 24" SPT-1 Cord  
**Accessories** GS-10 Super Spike  
 CO-3 Connector  
**Document** [Installation Instructions](#)  
**Certifications**



Cat. No.	Finishes	UPC
B107-AG	Aged Green	615624271394





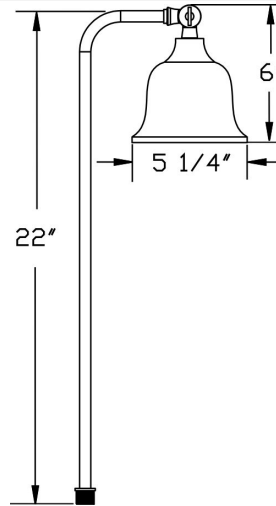
**Catalog#: B114**

**PATHLIGHT JC BI-PIN 20W MAX.  
 12V TULIP, BRASS, 20W LAMP- ARCHITECTURAL BRONZE**

**Category** Landscape Lighting  
**Page** [G18](#)

**Specifications:**

**Material** Solid Brass  
**Voltage** 12 Volts  
**Lamp type** JC Bi-Pin 18W Lamp Included, 20W Max.  
**Socket** Premium grade Porcelain socket with Nickel contacts and Teflon-jacketed wire leads  
**Gasket** Sealed with high grade weatherproof Silicone Gasket  
**Wiring** Pre-wired with 24" SPT-1 Cord  
**Accessories** GS-10 Super Spike  
 CO-3 Connector  
**Document** [Installation Instructions](#)  
**Certifications**



Cat. No.	Finishes	UPC
B114-ARB	Architectural Bronze	615624387552




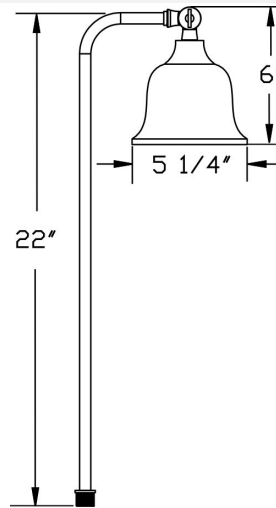


**Catalog#: C114**  
**SOLID COPPER BELL FIXTURE - NATURAL COPPER**

**Category** Landscape Lighting  
**Page** [G14](#)

**Specifications:**

Material	Solid Copper
Voltage	12 Volts
Lamp type	JC Bi-Pin 20W Lamp Included, 20W Max.
Socket	Premium grade Porcelain socket with Nickel contacts and Teflon-jacketed wire leads
Gasket	Sealed with high grade weatherproof Silicone Gasket
Wiring	Pre-wired with 24" SPT-1 Cord
Accessories	GS-10 Super Spike <a href="#">SWN-BK</a> Silicone Wire Nuts
Document	<a href="#">Installation Instructions</a>
Certifications	



Cat. No.	Finish	UPC
*C114	Natural Copper	615624387545

\*While Supplies Last




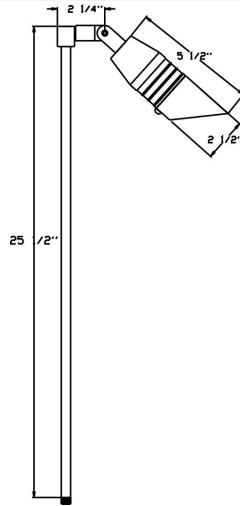


**Catalog#: S121P**  
**S121P ON 90-DEGREE ARM PATH LIGHT**

**Category** Landscape Lighting  
**Page** [G14](#)

**Specifications:**

**Material** Cast Aluminum  
**Voltage** 12 Volts  
**Lamp type** MR16 20W Lamp Included, 35W Max.  
**Lens type** Convex Tempered Glass Lens  
**Socket** Premium grade Porcelain socket with Nickel contacts and Teflon-jacketed wire leads  
**Gasket** Sealed with high grade weatherproof Silicone Gasket  
**Wiring** Pre-wired with 24" SPT-1 Cord  
**Accessories** Spring-Mounted Lamp Positioned behind lens  
 GS-10 Super Spike  
[SWN-BK](#) Silicone Wire Nuts  
**Document** [Installation Instructions](#)  
**Certifications** 



Cat. No.	Finish	UPC
S121P-BK	Black	615624373616
S121P-BR	Bronze	615624373623



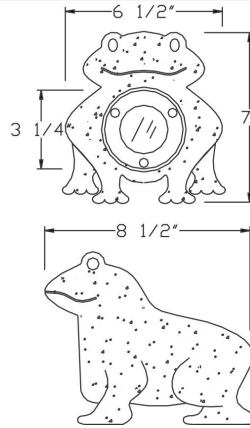


**Catalog#: L102**  
**FROG FIXTURE**

**Category** Landscape Lighting  
**Page** [G19](#)

**Specifications:**

Material	Resin Fluorite
Voltage	12 Volts
Lamp type	MR16 20W Lamp Included, 20W Max.
Lens type	Tempered Glass Lens
Socket	Premium grade Porcelain socket with Nickel contacts and Teflon-jacketed wire leads
Gasket	Sealed with high grade weatherproof Silicone Gasket
Wiring	Pre-wired with 24" SPT-1 Cord
Accessories	CO-3 Connector
Document	<a href="#">Installation Instructions</a>
Certifications	



Cat. No.	Finishes	UPC
L102	Stone	615624266147



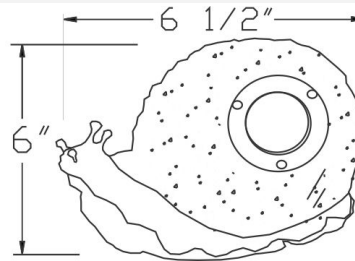


**Catalog#: L103**  
**SNAIL FIXTURE**

**Category** Landscape Lighting  
**Page** [G19](#)

**Specifications:**

- Material Resin Fluorite
- Voltage 12 Volts
- Lamp type MR16 20W Lamp Included, 20W Max.
- Lens type Tempered Glass Lens
- Socket Premium grade Porcelain socket with Nickel contacts and Teflon-jacketed wire leads
- Gasket Sealed with high grade weatherproof Silicone Gasket
- Wiring Pre-wired with 24" SPT-1 Cord
- Accessories CO-3 Connector
- Document [Installation Instructions](#)
- Certifications



Cat. No.	Finishes	UPC
L103	Stone	615624266147





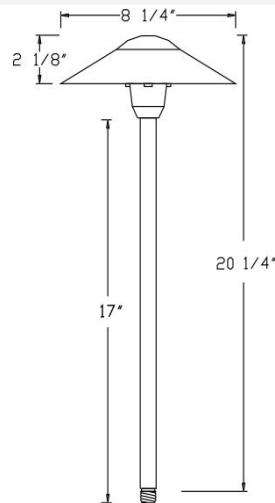


**Catalog#: S215**  
**S215 LANDSCAPE FIXTURE**

**Category** Landscape Lighting  
**Page** [G12](#)

**Specifications:**

**Material** Cast Aluminum  
**Voltage** 12 Volts  
**Lamp type** Bayonet 18W Lamp Included, 26W Max.  
**Socket** Premium grade Porcelain socket with Nickel contacts and Teflon-jacketed wire leads  
**Gasket** Sealed with high grade weatherproof Silicone Gasket  
**Wiring** Pre-wired with 24" SPT-1 Cord  
**Accessories** GS-10 Super Spike  
[SWN-BK](#) Silicone Wire Nuts  
**Document** [Installation Instructions](#)  
**Certifications**



Cat. No.	Finish	UPC
S215-BK	Black	615624264631
S215-BR	Bronze	615624264648
S215-RU	Rust	615624373685
S215-VG	Verde Green	615624264655

\*While Supplies Last  
 \*\*SEE LS215 FOR LED MODEL



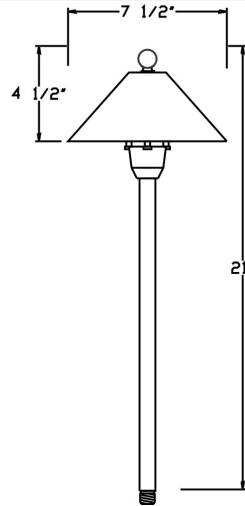


**Catalog#: S219**  
**S219 LANDSCAPE FIXTURE**

**Category** Landscape Lighting  
**Page** [G19](#)

**Specifications:**

**Material** Cast Aluminum  
**Voltage** 12 Volts  
**Lamp type** Bayonet 18W Lamp Included, 26W Max.  
**Socket** Premium grade Porcelain socket with Nickel contacts and Teflon-jacketed wire leads  
**Gasket** Sealed with high grade weatherproof Silicone Gasket  
**Wiring** Pre-wired with 24" SPT-1 Cord  
**Accessories** GS-10 Super Spike  
 CO-3 Connector  
**Document** [Installation Instructions](#)  
**Certifications**



Cat. No.	Finishes	UPC
S219-BK	Black	615624264662
S219-BR	Bronze	615624264679
S219-RU	Rust	615624266628
S219-VG	Verde Green	615624264686



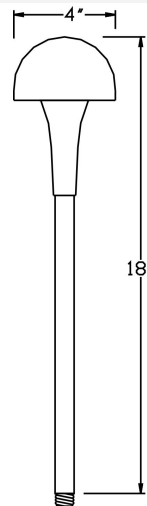


**Catalog#: S224**  
**S224 LANDSCAPE MINI MUSHROOM**

**Category** Landscape Lighting  
**Page** [G20](#)

**Specifications:**

**Material** Cast Aluminum  
**Voltage** 12 Volts  
**Lamp type** JC Bi-Pin 20W Lamp Included, 20W Max.  
**Socket** Premium grade Porcelain socket with Nickel contacts and Teflon-jacketed wire leads  
**Gasket** Sealed with high grade weatherproof Silicone Gasket  
**Wiring** Pre-wired with 24" SPT-1 Cord  
**Accessories** Twist-Off Shade for easy relamping  
 GS-10 Super Spike  
 CO-3 Connector  
**Document** [Installation Instructions](#)



**Certifications**



Cat. No.	Finishes	UPC
S224-BK	Black	615624264754
S224-BR	Bronze	615624264761
S224-RU	Rust	615624266642
S224-VG	Verde Green	615624264778
S224-SA	Sand	615624267823



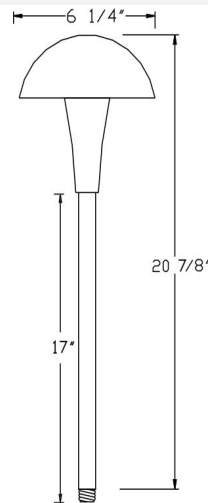


**Catalog#: S225**  
**S225 LANDSCAPE MUSHROOM**

**Category** Landscape Lighting  
**Page** [G20](#)

**Specifications:**

**Material** Cast Aluminum  
**Voltage** 12 Volts  
**Lamp type** JC Bi-Pin 20W Lamp Included, 20W Max.  
**Socket** Premium grade Porcelain socket with Nickel contacts and Teflon-jacketed wire leads  
**Gasket** Sealed with high grade weatherproof Silicone Gasket  
**Wiring** Pre-wired with 24" SPT-1 Cord  
**Accessories** Twist-Off Shade for easy relamping  
 GS-10 Super Spike  
 CO-3 Connector  
**Document** [Installation Instructions](#)  
**Certifications**



Cat. No.	Finishes	UPC
S225-BK	Black	615624264785
S225-BR	Bronze	615624264792
S225-RU	Rust	615624373753



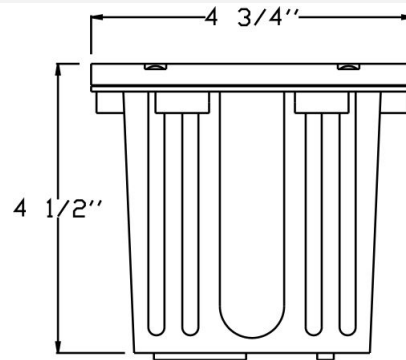


**Catalog#: FG5410**  
**PREMIUM POLY ADJUSTABLE MR16 WELL LIGHT**

**Category** Landscape Lighting  
**Page** [G21](#)

**Specifications:**

**Material** PBT Composite Injection Molded  
**Voltage** 12 Volts  
**Lamp type** MR16 20W Lamp Included, 35W Max.  
**Lens type** Tempered Glass Lens  
**Socket** Premium grade Porcelain socket with Nickel contacts and Teflon-jacketed wire leads  
**Gasket** Sealed with high grade weatherproof Silicone Gasket  
**Wiring** Pre-wired with 24" SJT Cord  
**Accessories** Adjustable Direction Lamp Bracket - Tilts ± 25°



**Document** [Installation Instructions](#)

**Certifications** 

Cat. No.	Finishes	UPC
FG5410-BK	Black	615624272759
FG5410-BR	Bronze	615624272766



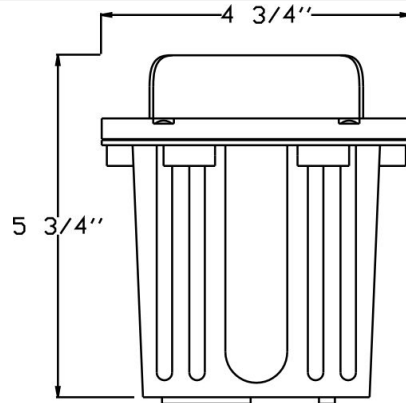


**Catalog#: FG5411**  
**PREMIUM POLY ADJUSTABLE MR16 WELL LIGHT**

**Category** Landscape Lighting  
**Page** [G21](#)

**Specifications:**

**Material** PBT Composite Injection Molded  
**Voltage** 12 Volts  
**Lamp type** MR16 20W Lamp Included, 35W Max.  
**Lens type** Tempered Glass Lens  
**Socket** Premium grade Porcelain socket with Nickel contacts and Teflon-jacketed wire leads  
**Gasket** Sealed with high grade weatherproof Silicone Gasket  
**Wiring** Pre-wired with 24" SJT Cord  
**Accessories** Adjustable Direction Lamp Bracket - Tilts ± 25°



**Document** [Installation Instructions](#)

**Certifications** 

Cat. No.	Finishes	UPC
FG5411-BK	Black	615624272797
FG5411-BR	Bronze	615624272803



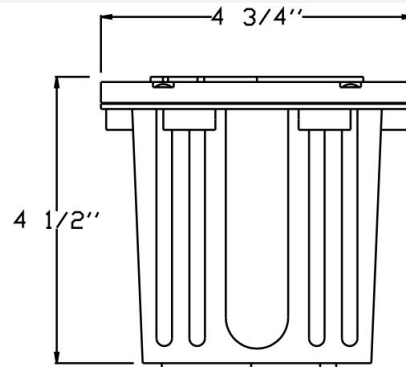


**Catalog#: FG5412**  
**PREMIUM POLY ADJUSTABLE MR16 WELL LIGHT**

**Category** Landscape Lighting  
**Page** [G21](#)

**Specifications:**

**Material** PBT Composite Injection Molded  
**Voltage** 12 Volts  
**Lamp type** MR16 20W Lamp Included, 35W Max.  
**Lens type** Tempered Glass Lens  
**Socket** Premium grade Porcelain socket with Nickel contacts and Teflon-jacketed wire leads  
**Gasket** Sealed with high grade weatherproof Silicone Gasket  
**Wiring** Pre-wired with 24" SJT Cord  
**Accessories** Adjustable Direction Lamp Bracket - Tilts ± 25°



**Document** [Installation Instructions](#)

**Certifications** 

Cat. No.	Finishes	UPC
FG5412-BK	Black	615624272834
FG5412-BR	Bronze	615624272841



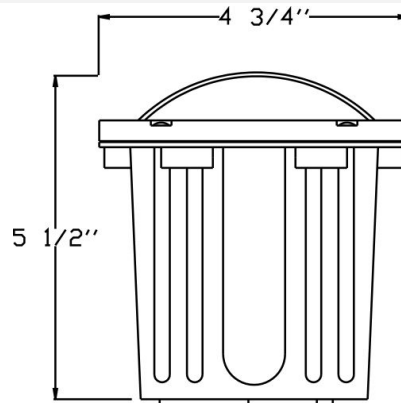


**Catalog#: FG5413**  
**PREMIUM POLY ADJUSTABLE MR16 WELL LIGHT**

**Category** Landscape Lighting  
**Page** [G21](#)

**Specifications:**

**Material** PBT Composite Injection Molded  
**Voltage** 12 Volts  
**Lamp type** MR16 20W Lamp Included, 35W Max.  
**Lens type** Tempered Glass Lens  
**Socket** Premium grade Porcelain socket with Nickel contacts and Teflon-jackets wire leads  
**Gasket** Sealed with high grade weatherproof Silicone Gasket  
**Wiring** Pre-wired with 24" SJT Cord  
**Accessories** Adjustable Direction Lamp Bracket - Tilts ± 25°



**Document** [Installation Instructions](#)

**Certifications** 

Cat. No.	Finishes	UPC
FG5413-BK	Black	615624272872





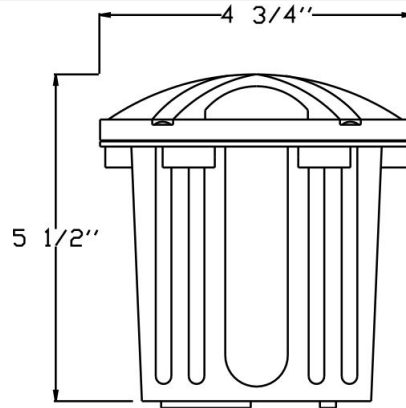


**Catalog#: FG5415**  
**PREMIUM POLY ADJUSTABLE MR16 WELL LIGHT**

**Category** Landscape Lighting  
**Page** [G21](#)

**Specifications:**

**Material** PBT Composite Injection Molded  
**Voltage** 12 Volts  
**Lamp type** MR16 20W Lamp Included, 35W Max.  
**Lens type** Tempered Glass Lens  
**Socket** Premium grade Porcelain socket with Nickel contacts and Teflon-jackets  
**Gasket** Sealed with high grade weatherproof Silicone Gasket  
**Wiring** Pre-wired with 24" SJT Cord  
**Accessories** Adjustable Direction Lamp Bracket - Tilts ± 25°



**Document** [Installation Instructions](#)

**Certifications** 

Cat. No.	Finishes	UPC
FG5415-BK	Black	615624272919
FG5415-BR	Bronze	615624272926



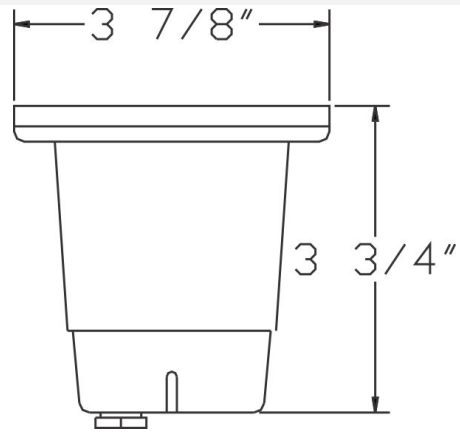


**Catalog#: 5010**  
**MR16 SPOT/WELL FIXTURE**

**Category** Landscape Lighting  
**Page** [G22](#)

**Specifications:**

**Material** Cast Aluminum  
**Voltage** 12 Volts  
**Lamp type:** MR16 20W Lamp Included, 35W Max.  
**Lens type** Tempered Glass Lens  
**Socket** Premium grade Porcelain socket with Nickel contacts and Teflon-jacketed wire leads  
**Gasket** Sealed with high grade weatherproof Silicone Gasket  
**Wiring** Pre-wired with 24" SJT Cord  
**Accessories** Optional Adjustable Direction Lamp Bracket  
**Document** [Installation Instructions](#)  
**Certifications**



Cat. No.	Finishes	UPC
5010-BK	Black	615624264891
5010-BR	Bronze	615624267939
5010-WH	White	615624264914
5010-VG	Verde Green	615624264907



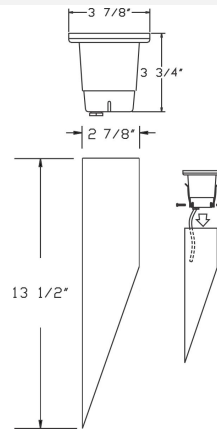


**Catalog#: 5010-50PK**  
**MR16 WELL LIGHT WITH PVC SLEEVE**

**Category** Landscape Lighting  
**Page** [G22](#)

**Specifications:**

**Material** Cast Aluminum  
**Voltage** 12 Volts  
**Lamp type:** MR16 20W Lamp Included, 35W Max.  
**Lens type** Tempered Glass Lens  
**Socket** Premium grade Porcelain socket with Nickel contacts and Teflon-jacketed wire leads  
**Gasket** Sealed with high grade weatherproof Silicone Gasket  
**Wiring** Pre-wired with 24" SJT Cord  
**Accessories** Adjustable DIRECTION Lamp Bracket  
 - Tilts ± 25°



**Document** [Installation Instructions](#)

**Certifications** 

Cat. No.	Finishes	UPC
5010-50PK-BK	Black	615624269568
5010-50PK-BR	Bronze	615624269575
5010-50PK-WH	White	615624269599
5010-50PK-VG	Verde Green	615624269582



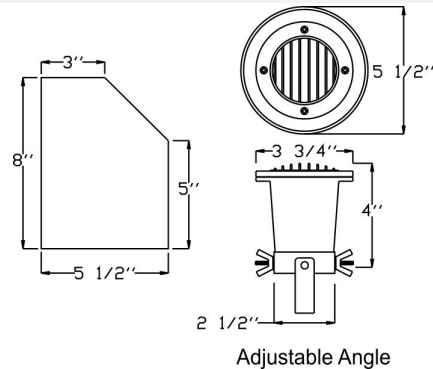


**Catalog#: 5010AP**  
**MR16 SPOT/WELL FIXTURE**

**Category** Landscape Lighting  
**Page** [G22](#)

**Specifications:**

**Material** Cast Aluminum  
**Voltage** 12 Volts  
**Lamp type:** MR16 20W Lamp Included, 35W Max.  
**Lens type** Tempered Glass Lens  
**Socket** Premium grade Porcelain socket with Nickel contacts and Teflon-jacketed wire leads  
**Gasket** Sealed with high grade weatherproof Silicone Gasket  
**Wiring** Pre-wired with 24" SJT Cord  
**Accessories** Adjustable Direction Lamp Bracket  
 - Tilts  $\pm 25^\circ$



**Document** [Installation Instructions](#)

**Certifications** 

Cat. No.	Finishes	UPC
5010AP-BK	Black	615624269568
5010AP-BR	Bronze	615624269575
5010AP-WH	White	615624269599
5010AP-VG	Verde Green	615624269582



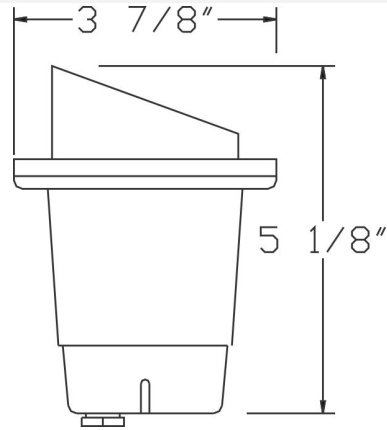


**Catalog#: 5011**  
**MR16 SPOT/WELL HOODED FIXTURE**

**Category** Landscape Lighting  
**Page** [G22](#)

**Specifications:**

- Material Cast Aluminum
- Voltage 12 Volts
- Lamp type: MR16 20W Lamp Included, 35W Max.
- Lens type Tempered Glass Lens
- Socket Premium grade Porcelain socket with Nickel contacts and Teflon-jacketed wire leads
- Gasket Sealed with high grade weatherproof Silicone Gasket
- Wiring Pre-wired with 24" SJT Cord
- Accessories Optional Adjustable Direction Lamp Bracket
- Document [Installation Instructions](#)
- Certifications 



Cat. No.	Finishes	UPC
5011-BK	Black	615624264921
5011-BR	Bronze	615624267946
5011-WH	White	615624264945
5011-VG	Verde Green	615624264938



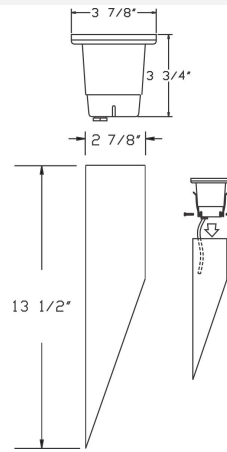


**Catalog#: 5011-50PK**  
**MR16 HOODED WELL LIGHT WITH PVC SLEEVE**

**Category** Landscape Lighting  
**Page** [G22](#)

**Specifications:**

**Material** Cast Aluminum  
**Voltage** 12 Volts  
**Lamp type:** MR16 20W Lamp Included, 35W Max.  
**Lens type** Tempered Glass Lens  
**Socket** Premium grade Porcelain socket with Nickel contacts and Teflon-jacketed wire leads  
**Gasket** Sealed with high grade weatherproof Silicone Gasket  
**Wiring** Pre-wired with 24" SJT Cord  
**Accessories** Adjustable DIRECTION Lamp Bracket  
 - Tilts ± 25°



**Document** [Installation Instructions](#)

**Certifications** 

Cat. No.	Finishes	UPC
5011-50PK-BK	Black	615624269643
5011-50PK-BR	Bronze	615624269650
5011-50PK-WH	White	615624269674
5011-50PK-VG	Verde Green	615624269667



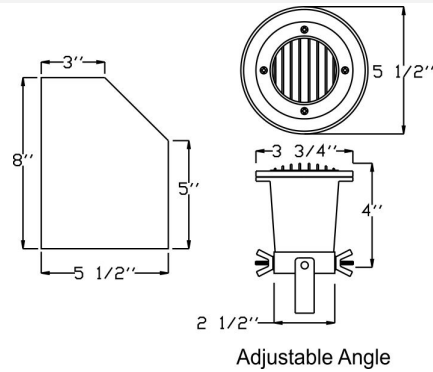


**Catalog#: 5011AP**  
**MR16 SPOT/WELL HOODED FIXTURE**

**Category** Landscape Lighting  
**Page** [G22](#)

**Specifications:**

**Material** Cast Aluminum  
**Voltage** 12 Volts  
**Lamp type:** MR16 20W Lamp Included, 35W Max.  
**Lens type** Tempered Glass Lens  
**Socket** Premium grade Porcelain socket with Nickel contacts and Teflon-jacketed wire leads  
**Gasket** Sealed with high grade weatherproof Silicone Gasket  
**Wiring** Pre-wired with 24" SJT Cord  
**Accessories** Adjustable Direction Lamp Bracket  
 - Tilts  $\pm 25^\circ$



**Document** [Installation Instructions](#)

**Certifications** 

Cat. No.	Finishes	UPC
5011AP-BK	Black	615624269681
5011AP-BR	Bronze	615624269698
5011AP-WH	White	615624269711
5011AP-VG	Verde Green	615624269704



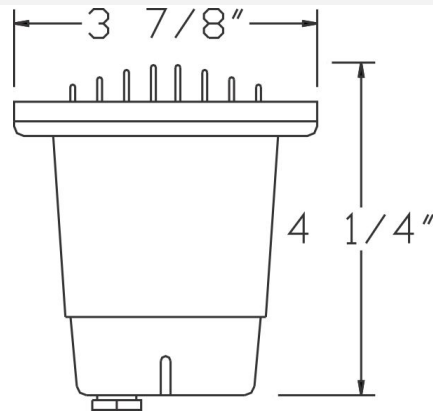


**Catalog#: 5012**  
**MR16 SPOT/WELL HOODED FIXTURE**

**Category** Landscape Lighting  
**Page** [G22](#)

**Specifications:**

**Material** Cast Aluminum  
**Voltage** 12 Volts  
**Lamp type:** MR16 20W Lamp Included, 35W Max.  
**Lens type** Tempered Glass Lens  
**Socket** Premium grade Porcelain socket with Nickel contacts and Teflon-jacketed wire leads  
**Gasket** Sealed with high grade weatherproof Silicone Gasket  
**Wiring** Pre-wired with 24" SJT Cord  
**Accessories** Optional Adjustable Direction Lamp Bracket  
**Document** [Installation Instructions](#)  
**Certifications**



Cat. No.	Finishes	UPC
5012-BK	Black	615624264952
5012-BR	Bronze	615624267953
5012-WH	White	615624264976
5012-VG	Verde Green	615624264969





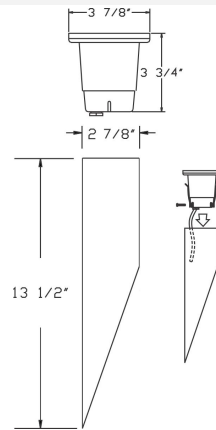


**Catalog#: 5012-50PK**  
**MR16 HOODED WELL LIGHT WITH PVC SLEEVE**

**Category** Landscape Lighting  
**Page** [G22](#)

**Specifications:**

**Material** Cast Aluminum  
**Voltage** 12 Volts  
**Lamp type:** MR16 20W Lamp Included, 35W Max.  
**Lens type** Tempered Glass Lens  
**Socket** Premium grade Porcelain socket with Nickel contacts and Teflon-jacketed wire leads  
**Gasket** Sealed with high grade weatherproof Silicone Gasket  
**Wiring** Pre-wired with 24" SJT Cord  
**Accessories** Adjustable Direction Lamp Bracket- Tilts ± 25°  
**Document** [Installation Instructions](#)  
**Certifications**



Cat. No.	Finishes	UPC
5012-50PK-BK	Black	615624269728
5012-50PK-BR	Bronze	615624269735
5012-50PK-WH	White	615624269759
5012-50PK-VG	Verde Green	615624269742



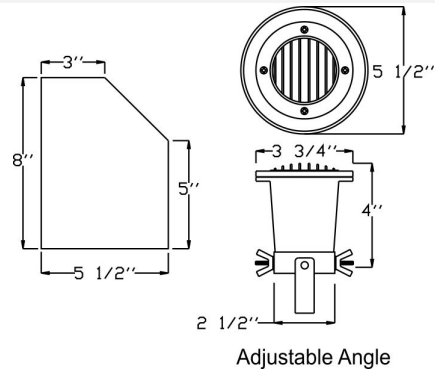


**Catalog#: 5012AP**  
**MR16 SPOT/WELL HOODED FIXTURE**

**Category** Landscape Lighting  
**Page** [G22](#)

**Specifications:**

**Material** Cast Aluminum  
**Voltage** 12 Volts  
**Lamp type:** MR16 20W Lamp Included, 35W Max.  
**Lens type** Tempered Glass Lens  
**Socket** Premium grade Porcelain socket with Nickel contacts and Teflon-jacketed wire leads  
**Gasket** Sealed with high grade weatherproof Silicone Gasket  
**Wiring** Pre-wired with 24" SJT Cord  
**Accessories** Adjustable Direction Lamp Bracket- Tilts ± 25°  
**Document** [Installation Instructions](#)  
**Certifications**



Cat. No.	Finishes	UPC
5012AP-BK	Black	615624269766
5012AP-BR	Bronze	615624269773



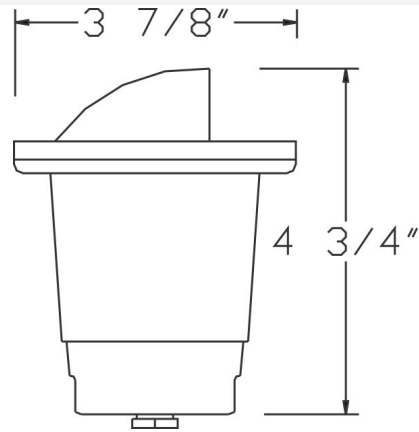


**Catalog#: 5013**  
**LV MR16 IN-GROUND PATH LIGHT**

**Category** Landscape Lighting  
**Page** [G22](#)

**Specifications:**

**Material** Cast Aluminum  
**Voltage** 12 Volts  
**Lamp type:** JC Bi-Pin 20W Lamp Included, 35W Max.  
**Lens type** Tempered Glass Lens  
**Socket** Premium grade Porcelain socket with Nickel contacts and Teflon-jacketed wire leads  
**Gasket** Sealed with high grade weatherproof Silicone Gasket  
**Wiring** Pre-wired with 24" SJT Cord  
**Accessories** Optional Adjustable Direction Lamp Bracket  
**Document** [Installation Instructions](#)  
**Certifications**



Cat. No.	Finishes	UPC
5013-BK	Black	615624264983
5013-BR	Bronze	615624267960
5013-WH	White	615624269841
5013-VG	Verde Green	615624264990



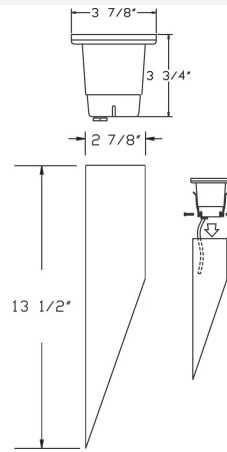


**Catalog#: 5013-50PK**  
**MR16 WELL LIGHT WITH PVC SLEEVE**

**Category** Landscape Lighting  
**Page** [G22](#)

**Specifications:**

**Material** Cast Aluminum  
**Voltage** 12 Volts  
**Lamp type:** JC Bi-Pin 20W Lamp Included, 35W Max.  
**Lens type** Tempered Glass Lens  
**Socket** Premium grade Porcelain socket with Nickel contacts and Teflon-jacketed wire leads  
**Gasket** Sealed with high grade weatherproof Silicone Gasket  
**Wiring** Pre-wired with 24" SJT Cord  
**Accessories** Adjustable DIRECTION Lamp Bracket- Tilts ± 25°  
**Document** [Installation Instructions](#)  
**Certifications**



Cat. No.	Finishes	UPC
5013-50PK-BK	Black	615624269803
5013-50PK-BR	Bronze	615624269810




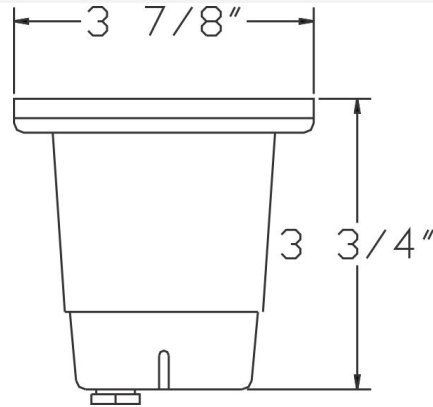


**Catalog#: B5010**  
**BRASS MR16 WELL LIGHT**

**Category** Landscape Lighting  
**Page** [G23](#)

**Specifications:**

- Material Cast Brass
- Voltage 12 Volts
- Lamp type: MR16 20W Lamp Included, 35W Max.
- Lens type Tempered Glass Lens
- Socket Premium grade Porcelain socket with Nickel contacts and Teflon-jacketed wire leads
- Gasket Sealed with high grade weatherproof Silicone Gasket
- Wiring Pre-wired with 24" SJT Cord
- Document [Installation Instructions](#)
- Certifications 



Cat. No.	Finishes	UPC
B5010	Brass	615624271875



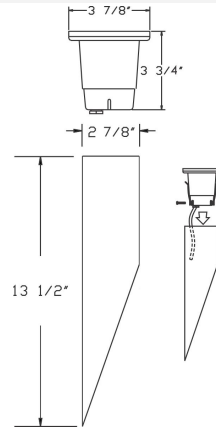


**Catalog#: B5010-50PK**  
**BRASS MR16 WELL LIGHT + PVC SLEEVE**

**Category** Landscape Lighting  
**Page** [G23](#)

**Specifications:**

**Material** Cast Brass  
**Voltage** 12 Volts  
**Lamp type:** MR16 20W Lamp Included, 35W Max.  
**Lens type** Tempered Glass Lens  
**Socket** Premium grade Porcelain socket with Nickel contacts and Teflon-jacketed wire leads  
**Gasket** Sealed with high grade weatherproof Silicone Gasket  
**Wiring** Pre-wired with 24" SJT Cord  
**Document** [Installation Instructions](#)  
**Certifications**



Cat. No.	Finishes	UPC
B5010-50PK	Brass	615624267977



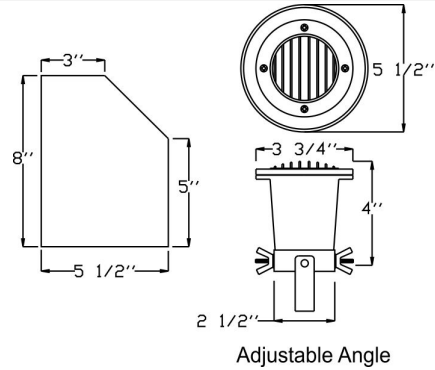


**Catalog#: B5010AP**  
**BRASS MR16 WELL LIGHT**

**Category** Landscape Lighting  
**Page** [G23](#)

**Specifications:**

**Material** Cast Brass  
**Voltage** 12 Volts  
**Lamp type:** MR16 20W Lamp Included, 35W Max.  
**Lens type** Tempered Glass Lens  
**Socket** Premium grade Porcelain socket with Nickel contacts and Teflon-jacketed wire leads  
**Gasket** Sealed with high grade weatherproof Silicone Gasket  
**Wiring** Pre-wired with 24" SJT Cord  
**Document** [Installation Instructions](#)  
**Certifications**



Cat. No.	Finishes	UPC
B5010AP	Brass	615624271882



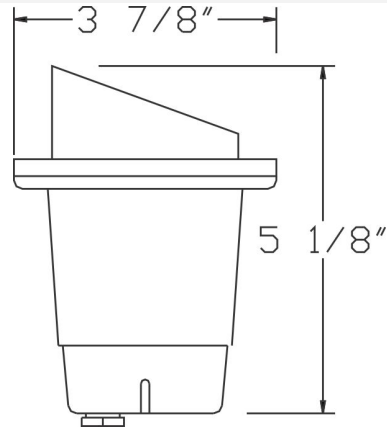


**Catalog#: B5011**  
**BRASS MR16 HOODED WELL LIGHT**

**Category** Landscape Lighting  
**Page** [G23](#)

**Specifications:**

**Material** Cast Brass  
**Voltage** 12 Volts  
**Lamp type:** MR16 20W Lamp Included, 35W Max.  
**Lens type** Tempered Glass Lens  
**Socket** Premium grade Porcelain socket with Nickel contacts and Teflon-jacketed wire leads  
**Gasket** Sealed with high grade weatherproof Silicone Gasket  
**Wiring** Pre-wired with 24" SJT Cord  
**Document** [Installation Instructions](#)  
**Certifications**



Cat. No.	Finishes	UPC
B5011	Brass	615624271899






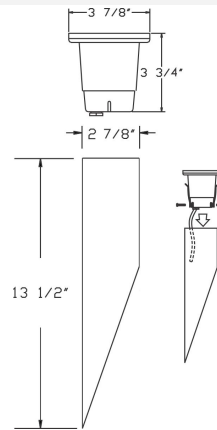


**Catalog#: B5011-50PK**  
**BRASS MR16 HOODED WELL LIGHT + PVC SLEEVE**

**Category** Landscape Lighting  
**Page** [G23](#)

**Specifications:**

- Material Cast Brass
- Voltage 12 Volts
- Lamp type: MR16 20W Lamp Included, 35W Max.
- Lens type Tempered Glass Lens
- Socket Premium grade Porcelain socket with Nickel contacts and Teflon-jacketed wire leads
- Gasket Sealed with high grade weatherproof Silicone Gasket
- Wiring Pre-wired with 24" SJT Cord
- Document [Installation Instructions](#)
- Certifications 



Cat. No.	Finishes	UPC
B5011-50PK	Brass	615624267984



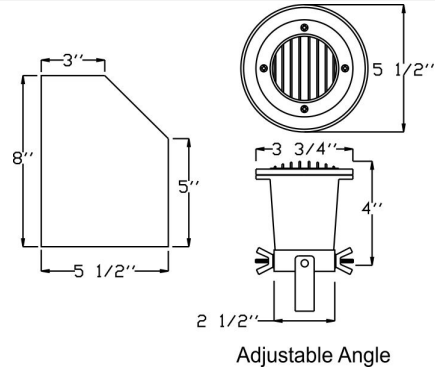


**Catalog#: B5011AP**  
**BRASS MR16 HOODED WELL LIGHT**

**Category** Landscape Lighting  
**Page** [G23](#)

**Specifications:**

**Material** Cast Brass  
**Voltage** 12 Volts  
**Lamp type:** MR16 20W Lamp Included, 35W Max.  
**Lens type** Tempered Glass Lens  
**Socket** Premium grade Porcelain socket with Nickel contacts and Teflon-jacketed wire leads  
**Gasket** Sealed with high grade weatherproof Silicone Gasket  
**Wiring** Pre-wired with 24" SJT Cord  
**Document** [Installation Instructions](#)  
**Certifications**



Cat. No.	Finishes	UPC
B5011AP	Brass	615624271905




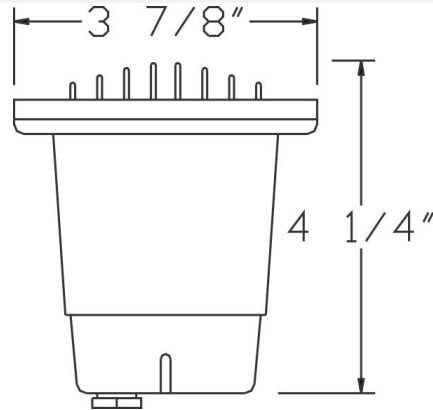


**Catalog#: B5012**  
**BRASS MR16 WELL LIGHT W/ LOUVER**

**Category** Landscape Lighting  
**Page** [G23](#)

**Specifications:**

- Material Cast Brass
- Voltage 12 Volts
- Lamp type: MR16 20W Lamp Included, 35W Max.
- Lens type Tempered Glass Lens
- Socket Premium grade Porcelain socket with Nickel contacts and Teflon-jacketed wire leads
- Gasket Sealed with high grade weatherproof Silicone Gasket
- Wiring Pre-wired with 24" SJT Cord
- Document [Installation Instructions](#)
- Certifications 



Cat. No.	Finishes	UPC
B5012	Brass	615624271912



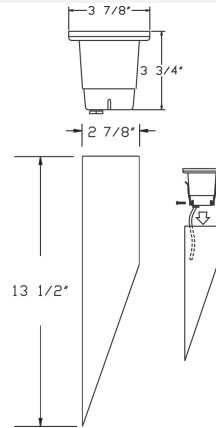


**Catalog#: B5012-50PK**  
**BRASS MR16 HOODED WELL LIGHT + PVC SLEEVE**

**Category** Landscape Lighting  
**Page** [G23](#)

**Specifications:**

**Material** Cast Brass  
**Voltage** 12 Volts  
**Lamp type:** MR16 20W Lamp Included, 35W Max.  
**Lens type** Tempered Glass Lens  
**Socket** Premium grade Porcelain socket with Nickel contacts and Teflon-jacketed wire leads  
**Gasket** Sealed with high grade weatherproof Silicone Gasket  
**Wiring** Pre-wired with 24" SJT Cord  
**Document** [Installation Instructions](#)  
**Certifications**



Cat. No.	Finishes	UPC
B5012-50PK	Brass	615624267991



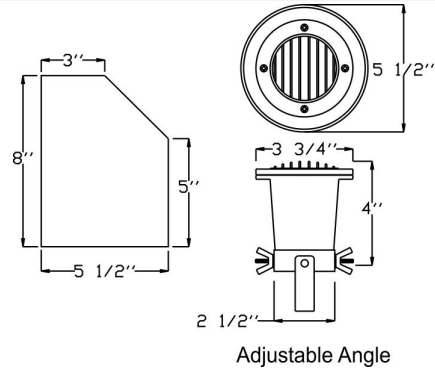


**Catalog#: B5012AP**  
**BRASS MR16 HOODED WELL LIGHT W/ LOUVER**

**Category** Landscape Lighting  
**Page** [G23](#)

**Specifications:**

**Material** Cast Brass  
**Voltage** 12 Volts  
**Lamp type:** MR16 20W Lamp Included, 35W Max.  
**Lens type** Tempered Glass Lens  
**Socket** Premium grade Porcelain socket with Nickel contacts and Teflon-jacketed wire leads  
**Gasket** Sealed with high grade weatherproof Silicone Gasket  
**Wiring** Pre-wired with 24" SJT Cord  
**Document** [Installation Instructions](#)  
**Certifications**



Cat. No.	Finishes	UPC
B5012AP	Brass	615624271929



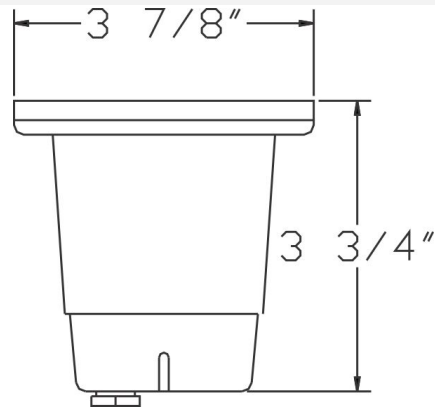


**Catalog#: SS5010**  
**STAINLESS MR16 WELL LIGHT**

**Category** Landscape Lighting  
**Page** [G24](#)

**Specifications:**

**Material** Cast Grade 304 Stainless Steel  
**Voltage** 12 Volts  
**Lamp type:** MR16 20W Lamp Included, 35W Max.  
**Lens type** Tempered Glass Lens  
**Socket** Premium grade Porcelain socket with Nickel contacts and Teflon-jacketed wire leads  
**Gasket** Sealed with high grade weatherproof Silicone Gasket  
**Wiring** Pre-wired with 24" SJT Cord  
**Document** [Installation Instructions](#)  
**Certifications**



Cat. No.	Finishes	UPC
SS5010	Stainless Steel	615624373975



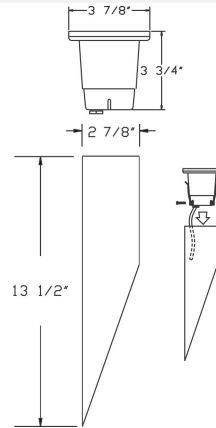


**Catalog#: SS5010-50PK**  
**STAINLESS MR16 WELL LIGHT + PVC SLEEVE**

**Category** Landscape Lighting  
**Page** [G24](#)

**Specifications:**

**Material** Cast Grade 304 Stainless Steel  
**Voltage** 12 Volts  
**Lamp type:** MR16 20W Lamp Included, 35W Max.  
**Lens type** Tempered Glass Lens  
**Socket** Premium grade Porcelain socket with Nickel contacts and Teflon-jacketed wire leads  
**Gasket** Sealed with high grade weatherproof Silicone Gasket  
**Wiring** Pre-wired with 24" SJT Cord  
**Document** [Installation Instructions](#)  
**Certifications**



Cat. No.	Finishes	UPC
SS5010-50PK	Stainless Steel	615624268042



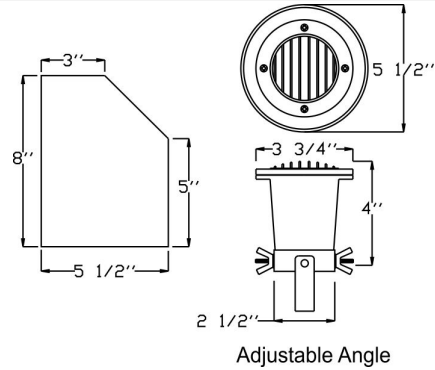


**Catalog#: SS5010AP**  
**STAINLESS MR16 WELL LIGHT**

**Category** Landscape Lighting  
**Page** [G24](#)

**Specifications:**

**Material** Cast Grade 304 Stainless Steel  
**Voltage** 12 Volts  
**Lamp type:** MR16 20W Lamp Included, 35W Max.  
**Lens type** Tempered Glass Lens  
**Socket** Premium grade Porcelain socket with Nickel contacts and Teflon-jacketed wire leads  
**Gasket** Sealed with high grade weatherproof Silicone Gasket  
**Wiring** Pre-wired with 24" SJT Cord  
**Document** [Installation Instructions](#)  
**Certifications**



Cat. No.	Finishes	UPC
SS5010AP	Stainless Steel	615624373982





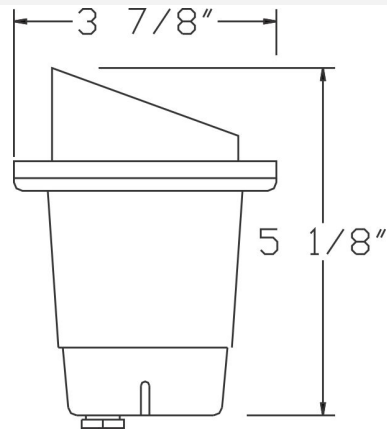


**Catalog#: SS5011**  
**STAINLESS MR16 HOODED WELL LIGHT**

**Category** Landscape Lighting  
**Page** [G16](#)

**Specifications:**

**Material** Cast Grade 304 Stainless Steel  
**Voltage** 12 Volts  
**Lamp type:** MR16 20W Lamp Included, 35W Max.  
**Lens type** Tempered Glass Lens  
**Socket** Premium grade Porcelain socket with Nickel contacts and Teflon-jacketed wire leads  
**Gasket** Sealed with high grade weatherproof Silicone Gasket  
**Wiring** Pre-wired with 24" SJT Cord  
**Document** [Installation Instructions](#)  
**Certifications**



Cat. No.	Finish	UPC
*SS5011	Stainless Steel	615624374019

\*While Supplies Last



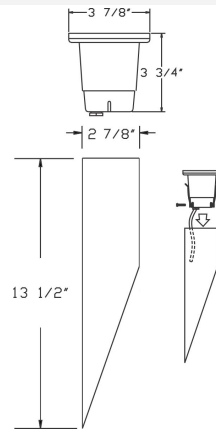


**Catalog#: SS5011-50PK**  
**STAINLESS MR16 WELL LIGHT + PVC SLEEVE**

**Category** Landscape Lighting  
**Page** [G24](#)

**Specifications:**

**Material** Cast Grade 304 Stainless Steel  
**Voltage** 12 Volts  
**Lamp type:** MR16 20W Lamp Included, 35W Max.  
**Lens type** Tempered Glass Lens  
**Socket** Premium grade Porcelain socket with Nickel contacts and Teflon-jacketed wire leads  
**Gasket** Sealed with high grade weatherproof Silicone Gasket  
**Wiring** Pre-wired with 24" SJT Cord  
**Document** [Installation Instructions](#)  
**Certifications**



Cat. No.	Finishes	UPC
SS5011-50PK	Stainless Steel	615624268059



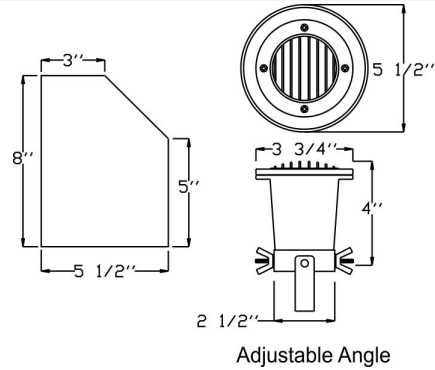


**Catalog#: SS5011AP**  
**STAINLESS MR16 HOODED WELL LIGHT**

**Category** Landscape Lighting  
**Page** [G24](#)

**Specifications:**

**Material** Cast Grade 304 Stainless Steel  
**Voltage** 12 Volts  
**Lamp type:** MR16 20W Lamp Included, 35W Max.  
**Lens type** Tempered Glass Lens  
**Socket** Premium grade Porcelain socket with Nickel contacts and Teflon-jacketed wire leads  
**Gasket** Sealed with high grade weatherproof Silicone Gasket  
**Wiring** Pre-wired with 24" SJT Cord  
**Document** [Installation Instructions](#)  
**Certifications**



Cat. No.	Finishes	UPC
SS5011AP	Stainless Steel	615624374026



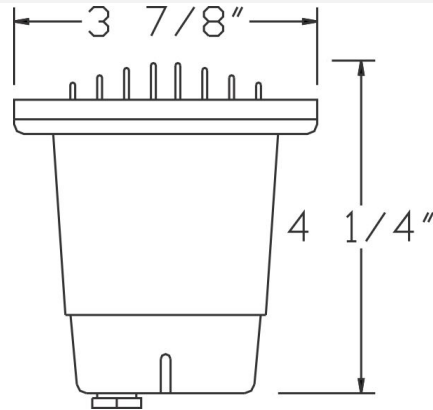


**Catalog#: SS5012**  
**STAINLESS MR16 WELL LIGHT W/ LOUVER**

**Category** Landscape Lighting  
**Page** [G24](#)

**Specifications:**

- Material Cast Grade 304 Stainless Steel
- Voltage 12 Volts
- Lamp type: MR16 20W Lamp Included, 35W Max.
- Lens type Tempered Glass Lens
- Socket Premium grade Porcelain socket with Nickel contacts and Teflon-jacketed wire leads
- Gasket Sealed with high grade weatherproof Silicone Gasket
- Wiring Pre-wired with 24" SJT Cord
- Document [Installation Instructions](#)
- Certifications 



Cat. No.	Finishes	UPC
SS5012	Stainless Steel	615624374057



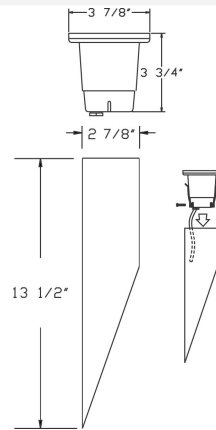


**Catalog#: SS5012-50PK**  
**STAINLESS MR16 WELL LIGHT + PVC SLEEVE**

**Category** Landscape Lighting  
**Page** [G24](#)

**Specifications:**

**Material** Cast Grade 304 Stainless Steel  
**Voltage** 12 Volts  
**Lamp type:** MR16 20W Lamp Included, 35W Max.  
**Lens type** Tempered Glass Lens  
**Socket** Premium grade Porcelain socket with Nickel contacts and Teflon-jacketed wire leads  
**Gasket** Sealed with high grade weatherproof Silicone Gasket  
**Wiring** Pre-wired with 24" SJT Cord  
**Document** [Installation Instructions](#)  
**Certifications**



Cat. No.	Finishes	UPC
SS5012-50PK	Stainless Steel	615624268066



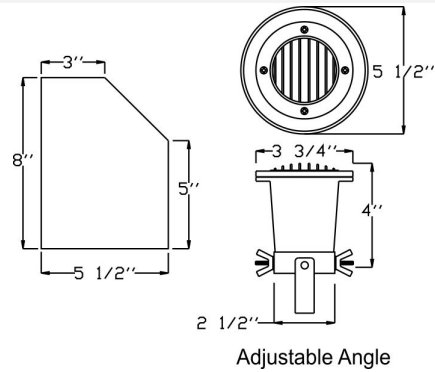


**Catalog#: SS5012AP**  
**STAINLESS MR16 WELL LIGHT W/ LOUVER**

**Category** Landscape Lighting  
**Page** [G24](#)

**Specifications:**

**Material** Cast Grade 304 Stainless Steel  
**Voltage** 12 Volts  
**Lamp type:** MR16 20W Lamp Included, 35W Max.  
**Lens type** Tempered Glass Lens  
**Socket** Premium grade Porcelain socket with Nickel contacts and Teflon-jacketed wire leads  
**Gasket** Sealed with high grade weatherproof Silicone Gasket  
**Wiring** Pre-wired with 24" SJT Cord  
**Document** [Installation Instructions](#)  
**Certifications**



Cat. No.	Finishes	UPC
SS5012AP	Stainless Steel	615624374064






**Catalog#: SS5010M**

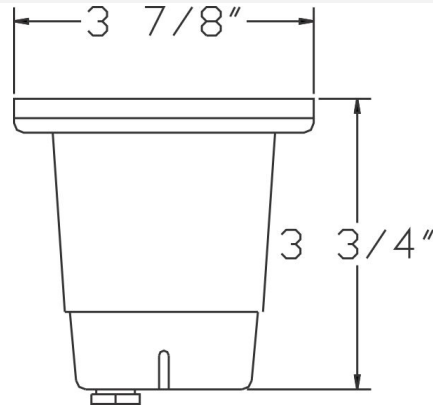
**WELL LIGHT - MARINE GRADE FIXTURE  
 STAINLESS STEEL**

**Category** Landscape Lighting

**Page** [G25](#)

**Specifications:**

- Material Cast Marine Grade 316 Stainless Steel
- Voltage 12 Volts
- Lamp type: MR16 20W Lamp Included, 35W Max.
- Lens type Tempered Glass Lens
- Socket Premium grade Porcelain socket with Nickel contacts and Teflon-jacketed wire leads
- Gasket Sealed with high grade weatherproof Silicone Gasket
- Wiring Pre-wired with 24" SJT Cord
- Document [Installation Instructions](#)
- Certifications 



Cat. No.	Finishes	UPC
SS5010M	Premium Stainless Steel	615624374002



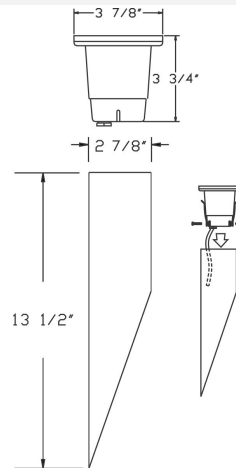


**Catalog#: SS5010M-50PK**  
**WELL LIGHT - MARINE GRADE W/ SPIKE**

**Category** Landscape Lighting  
**Page** [G25](#)

**Specifications:**

**Material** Cast Marine Grade 316 Stainless Steel  
**Voltage** 12 Volts  
**Lamp type:** MR16 20W Lamp Included, 35W Max.  
**Lens type** Tempered Glass Lens  
**Socket** Premium grade Porcelain socket with Nickel contacts and Teflon-jacketed wire leads  
**Gasket** Sealed with high grade weatherproof Silicone Gasket  
**Wiring** Pre-wired with 24" SJT Cord  
**Document** [Installation Instructions](#)  
**Certifications**



Cat. No.	Finishes	UPC
SS5010M-50PK	Premium Stainless Steel	615624269148





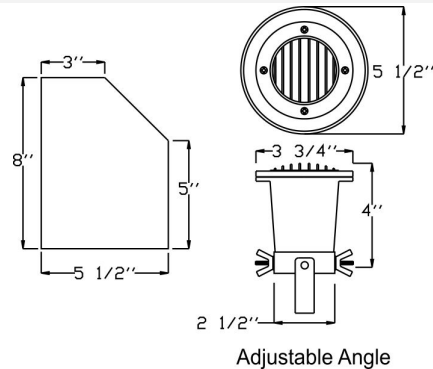


**Catalog#: SS5010MAP**  
**WELL LIGHT - MARINE GRADE FIXTURE W/ PVC HOLDER**

**Category** Landscape Lighting  
**Page** [G25](#)

**Specifications:**

**Material** Cast Marine Grade 316 Stainless Steel  
**Voltage** 12 Volts  
**Lamp type:** MR16 20W Lamp Included, 35W Max.  
**Lens type** Tempered Glass Lens  
**Socket** Premium grade Porcelain socket with Nickel contacts and Teflon-jacketed wire leads  
**Gasket** Sealed with high grade weatherproof Silicone Gasket  
**Wiring** Pre-wired with 24" SJT Cord  
**Document** [Installation Instructions](#)  
**Certifications**



Cat. No.	Finishes	UPC
SS5010MAP	Premium Stainless Steel	615624373999




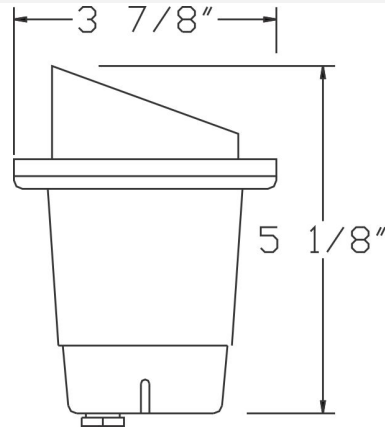


**Catalog#: SS5011M**  
**WELL LIGHT - MARINE GRADE FIXTURE, HOOD**

**Category** Landscape Lighting  
**Page** [G16](#)

**Specifications:**

- Material Cast Marine Grade 316 Stainless Steel
- Voltage 12 Volts
- Lamp type: MR16 20W Lamp Included, 35W Max.
- Lens type Tempered Glass Lens
- Socket Premium grade Porcelain socket with Nickel contacts and Teflon-jacketed wire leads
- Gasket Sealed with high grade weatherproof Silicone Gasket
- Wiring Pre-wired with 24" SJT Cord
- Document [Installation Instructions](#)
- Certifications 



Cat. No.	Finish	UPC
*SS5011M	Premium Stainless Steel	615624374040

\*While Supplies Last




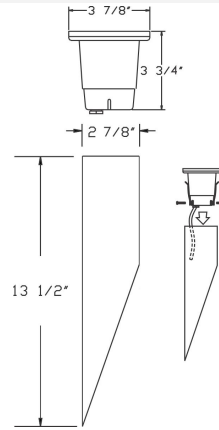


**Catalog#: SS5011M-50PK**  
**WELL LIGHT - MARINE GRADE W/ SPIKE**

**Category** Landscape Lighting  
**Page** [G25](#)

**Specifications:**

- Material Cast Marine Grade 316 Stainless Steel
- Voltage 12 Volts
- Lamp type: MR16 20W Lamp Included, 35W Max.
- Lens type Tempered Glass Lens
- Socket Premium grade Porcelain socket with Nickel contacts and Teflon-jacketed wire leads
- Gasket Sealed with high grade weatherproof Silicone Gasket
- Wiring Pre-wired with 24" SJT Cord
- Document [Installation Instructions](#)
- Certifications 



Cat. No.	Finishes	UPC
SS5011M-50PK	Premium Stainless Steel	615624269155



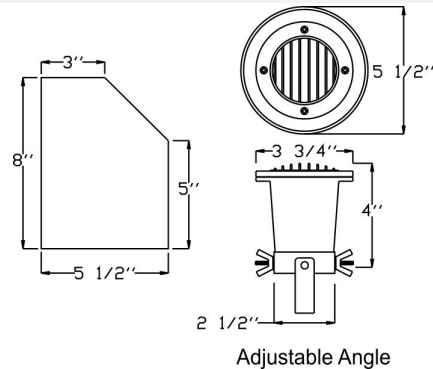


**Catalog#: SS5011MAP**  
**WELL LIGHT - MARINE GRADE FIXTURE W/ PVC HOLDER**

**Category** Landscape Lighting  
**Page** [G25](#)

**Specifications:**

**Material** Cast Marine Grade 316 Stainless Steel  
**Voltage** 12 Volts  
**Lamp type:** MR16 20W Lamp Included, 35W Max.  
**Lens type** Tempered Glass Lens  
**Socket** Premium grade Porcelain socket with Nickel contacts and Teflon-jacketed wire leads  
**Gasket** Sealed with high grade weatherproof Silicone Gasket  
**Wiring** Pre-wired with 24" SJT Cord  
**Document** [Installation Instructions](#)  
**Certifications**



Cat. No.	Finishes	UPC
SS5011MAP	Premium Stainless Steel	615624374033





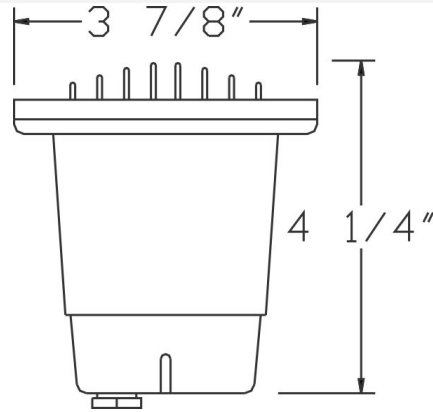
**Catalog#: SS5012M**

**WELL LIGHT - MARINE GRADE FIXTURE, LOUVER  
 STAINLESS STEEL**

**Category** Landscape Lighting  
**Page** [G25](#)

**Specifications:**

**Material** Cast Marine Grade 316 Stainless Steel  
**Voltage** 12 Volts  
**Lamp type:** MR16 20W Lamp Included, 35W Max.  
**Lens type** Tempered Glass Lens  
**Socket** Premium grade Porcelain socket with Nickel contacts and Teflon-jacketed wire leads  
**Gasket** Sealed with high grade weatherproof Silicone Gasket  
**Wiring** Pre-wired with 24" SJT Cord  
**Document** [Installation Instructions](#)  
**Certifications**



Cat. No.	Finishes	UPC
SS5012M	Premium Stainless Steel	615624374088



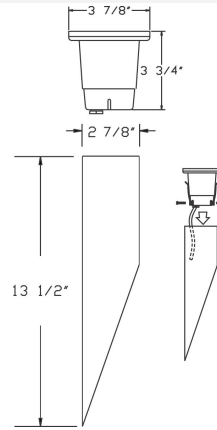


**Catalog#: SS5012M-50PK**  
**WELL LIGHT - MARINE GRADE W/ SPIKE**

**Category** Landscape Lighting  
**Page** [G25](#)

**Specifications:**

**Material** Cast Marine Grade 316 Stainless Steel  
**Voltage** 12 Volts  
**Lamp type:** MR16 20W Lamp Included, 35W Max.  
**Lens type** Tempered Glass Lens  
**Socket** Premium grade Porcelain socket with Nickel contacts and Teflon-jacketed wire leads  
**Gasket** Sealed with high grade weatherproof Silicone Gasket  
**Wiring** Pre-wired with 24" SJT Cord  
**Document** [Installation Instructions](#)  
**Certifications**



Cat. No.	Finishes	UPC
SS5012M-50PK	Premium Stainless Steel	615624269162




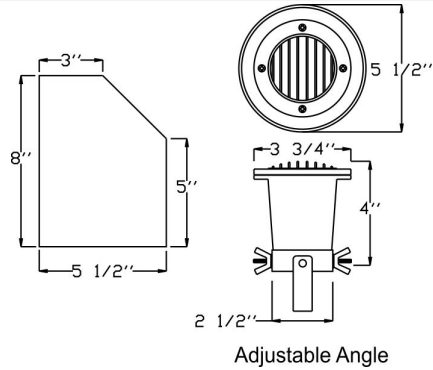


**Catalog#: SS5012MAP**  
**WELL LIGHT - MARINE GRADE FIXTURE W/ PVC HOLDER**

**Category** Landscape Lighting  
**Page** [G25](#)

**Specifications:**

- Material Cast Marine Grade 316 Stainless Steel
- Voltage 12 Volts
- Lamp type: MR16 20W Lamp Included, 35W Max.
- Lens type Tempered Glass Lens
- Socket Premium grade Porcelain socket with Nickel contacts and Teflon-jacketed wire leads
- Gasket Sealed with high grade weatherproof Silicone Gasket
- Wiring Pre-wired with 24" SJT Cord
- Document [Installation Instructions](#)
- Certifications 



Cat. No.	Finishes	UPC
SS5012MAP	Premium Stainless Steel	615624374071



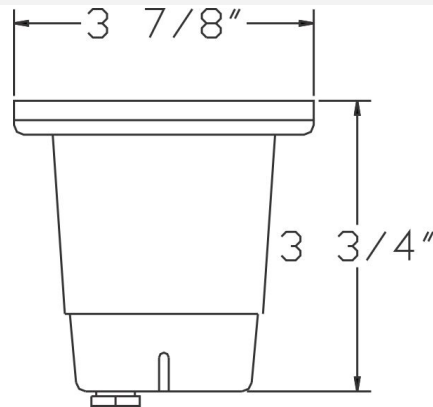


**Catalog#: FG5010**  
**FIBER GLASS MR16 WELL LIGHT**

**Category** Landscape Lighting  
**Page** [G26](#)

**Specifications:**

**Material** Composite  
**Voltage** 12 Volts  
**Lamp type:** MR16 20W Lamp, 20W Max.  
**Lens type** Tempered Glass Lens  
**Socket** Premium grade Porcelain socket with Nickel contacts and Teflon-jacketed wire leads  
**Gasket** Sealed with high grade weatherproof Silicone Gasket  
**Wiring** Pre-wired with 24" SJT Cord  
**Accessories** Option: Bracket  
 - Black Only  
 - For Surface Mounting  
**Document** [Installation Instructions](#)  
**Certifications**



Cat. No.	Finishes	UPC
FG5010-BK	Black	615624272643
FG5010-BR	Bronze	615624268073





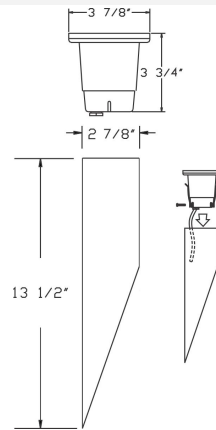


**Catalog#: FG5010-50PK**  
**FIBER GLASS MR16 WELL LIGHT + PVC SLEEVE**

**Category** Landscape Lighting  
**Page** [G26](#)

**Specifications:**

**Material** Composite  
**Voltage** 12 Volts  
**Lamp type:** MR16 20W Lamp, 20W Max.  
**Lens type** Tempered Glass Lens  
**Socket** Premium grade Porcelain socket with Nickel contacts and Teflon-jacketed wire leads  
**Gasket** Sealed with high grade weatherproof Silicone Gasket  
**Wiring** Pre-wired with 24" SJT Cord  
**Accessories** Option: Bracket  
 - Black Only  
 - For Surface Mounting  
**Document** [Installation Instructions](#)  
**Certifications**



Cat. No.	Finishes	UPC
FG5010-50PK-BK	Black	615624387149
FG5010-50PK-BR	Bronze	615624387156



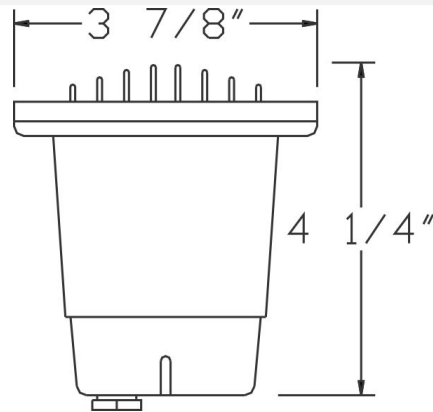


**Catalog#: FG5012**  
**FIBER GLASS MR16 WELL LIGHT**

**Category** Landscape Lighting  
**Page** [G26](#)

**Specifications:**

**Material** Composite  
**Voltage** 12 Volts  
**Lamp type:** MR16 20W Lamp, 20W Max.  
**Lens type** Tempered Glass Lens  
**Socket** Premium grade Porcelain socket with Nickel contacts and Teflon-jacketed wire leads  
**Gasket** Sealed with high grade weatherproof Silicone Gasket  
**Wiring** Pre-wired with 24" SJT Cord  
**Accessories** Option: Bracket  
 - Black Only  
 - For Surface Mounting  
**Document** [Installation Instructions](#)  
**Certifications**



Cat. No.	Finishes	UPC
FG5012-BK	Black	615624272711
FG5012-BR	Bronze	615624268080



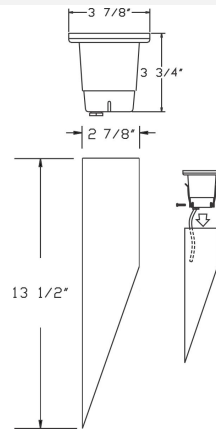


**Catalog#: FG5012-50PK**  
**FIBER GLASS MR16 WELL LIGHT + PVC SLEEVE**

**Category** Landscape Lighting  
**Page** [G26](#)

**Specifications:**

**Material** Composite  
**Voltage** 12 Volts  
**Lamp type:** MR16 20W Lamp, 20W Max.  
**Lens type** Tempered Glass Lens  
**Socket** Premium grade Porcelain socket with Nickel contacts and Teflon-jacketed wire leads  
**Gasket** Sealed with high grade weatherproof Silicone Gasket  
**Wiring** Pre-wired with 24" SJT Cord  
**Accessories** Option: Bracket  
 - Black Only  
 - For Surface Mounting  
**Document** [Installation Instructions](#)  
**Certifications**



Cat. No.	Finishes	UPC
FG5012-50PK-BK	Black	615624387187
FG5012-50PK-BR	Bronze	615624387194




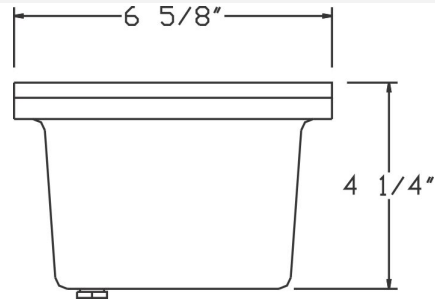


**Catalog#: 5110**  
**PAR36 WELL LIGHT**

**Category** Landscape Lighting  
**Page** [G27](#)

**Specifications:**

- Material Cast Aluminum
- Voltage 12 Volts
- Lamp type: PAR36 Lamp Not Included, 50W Max.
- Lens type Tempered Glass Lens
- Socket Premium grade Porcelain socket with Nickel contacts and Teflon-jacketed wire leads
- Gasket Sealed with high grade weatherproof Silicone Gasket
- Wiring Pre-wired with 24" SJT Cord
- Document [Installation Instructions](#)
- Certifications 



Cat. No.	Finishes	UPC
5110	Black	615624264815




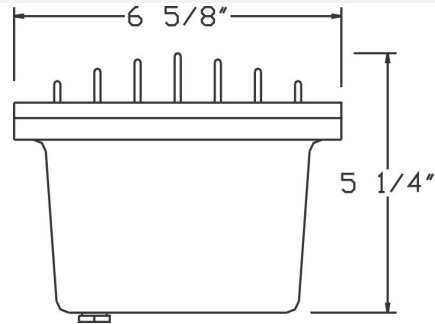


**Catalog#: 5112**  
**PAR36 WELL LIGHT W/ LOUVER**

**Category** Landscape Lighting  
**Page** [G27](#)

**Specifications:**

- Material: Cast Aluminum
- Voltage: 12 Volts
- Lamp type: PAR36 Lamp Not Included, 50W Max.
- Lens type: Tempered Glass Lens
- Socket: Premium grade Porcelain socket with Nickel contacts and Teflon-jacketed wire leads
- Gasket: Sealed with high grade weatherproof Silicone Gasket
- Wiring: Pre-wired with 24" SJT Cord
- Document: [Installation Instructions](#)
- Certifications: 



Cat. No.	Finishes	UPC
5112	Black	615624264846



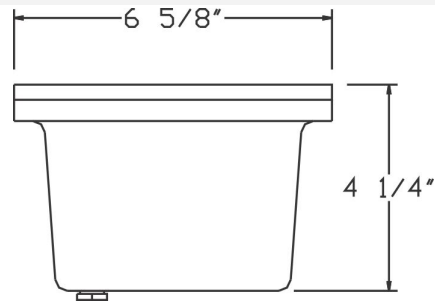


**Catalog#: 5113**  
**PAR36 WELL LIGHT W/ LOUVER**

**Category** Landscape Lighting  
**Page** [G27](#)

**Specifications:**

**Material** Cast Aluminum  
**Voltage** 12 Volts  
**Lamp type:** PAR36 Lamp Not Included, 50W Max.  
**Lens type** Tempered Glass Lens  
**Socket** Premium grade Porcelain socket with Nickel contacts and Teflon-jacketed wire leads  
**Gasket** Sealed with high grade weatherproof Silicone Gasket  
**Wiring** Pre-wired with 24" SJT Cord  
**Document** [Installation Instructions](#)  
**Certifications**



Cat. No.	Finishes	UPC
5113	Black	615624267830



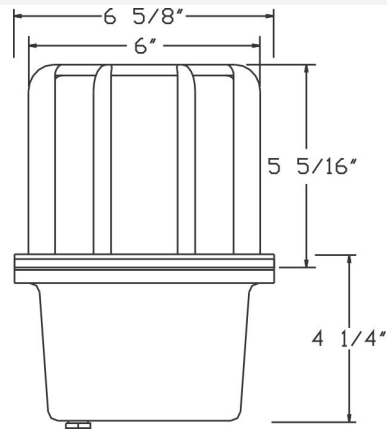


**Catalog#: 5114**  
**PAR36 WELL LIGHT W/ CANOPY**

**Category** Landscape Lighting  
**Page** [G27](#)

**Specifications:**

**Material** Cast Aluminum  
**Voltage** 12 Volts  
**Lamp type:** PAR36 Lamp Not Included, 50W Max.  
**Lens type** Tempered Glass Lens  
**Socket** Premium grade Porcelain socket with Nickel contacts and Teflon-jacketed wire leads  
**Gasket** Sealed with high grade weatherproof Silicone Gasket  
**Wiring** Pre-wired with 24" SJT Cord  
**Document** [Installation Instructions](#)  
**Certifications**



Cat. No.	Finishes	UPC
5114	Black	615624267847



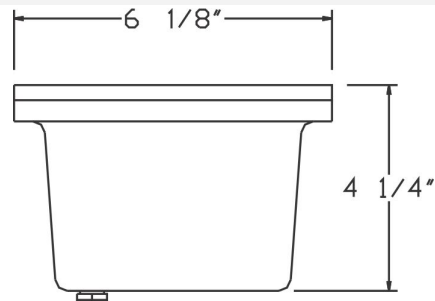


**Catalog#: FG5110**  
**FIBER GLASS PAR36 WELL LIGHT**

**Category** Landscape Lighting  
**Page** [G27](#)

**Specifications:**

**Material** Fiberglass  
**Voltage** 12 Volts  
**Lamp type:** PAR36 Lamp Not Included, 50W Max.  
**Lens type** Tempered Glass Lens  
**Socket** Premium grade Porcelain socket with Nickel contacts and Teflon-jacketed wire leads  
**Gasket** Sealed with high grade weatherproof Silicone Gasket  
**Wiring** Pre-wired with 24" SJT Cord  
**Document** [Installation Instructions](#)  
**Certifications**



Cat. No.	Finishes	UPC
FG5110	Bronze	615624267854





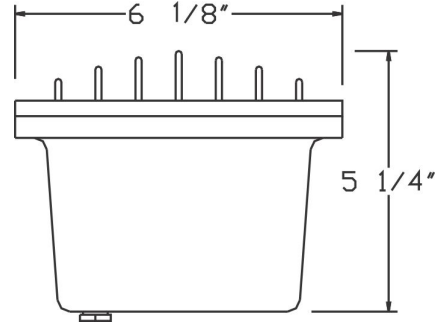


**Catalog#: FG5112**  
**FIBER GLASS PAR36 WELL LIGHT W/ LOUVER**

**Category** Landscape Lighting  
**Page** [G27](#)

**Specifications:**

**Material** Fiberglass  
**Voltage** 12 Volts  
**Lamp type:** PAR36 Lamp Not Included, 50W Max.  
**Lens type** Tempered Glass Lens  
**Accessories** 24" SJT Cord



Cat. No.	Finishes	UPC
FG5112	Bronze	615624267861





**Catalog#: 53L**  
**OPTIONAL LOUVER FOR 5300 PVC LIGHT**

**Category** Landscape Lighting

**Page** [G28](#)

**Feature:**

Optional Louver for [5300S](#)

Cat. No.	Finish	UPC
53L	Bronze	615624266659



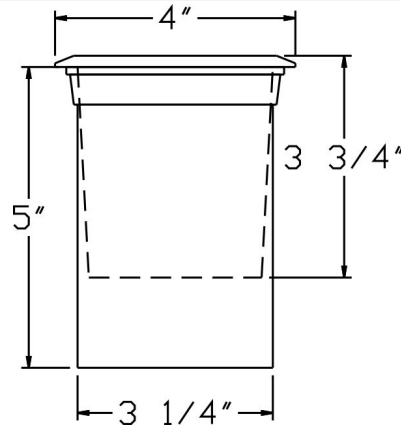


**Catalog#: 5010R**  
**MR16 WELL LIGHT W/ ROUND S/S COVER**

**Category** Landscape Lighting  
**Page** [G28](#)

**Specifications:**

**Voltage** 12 Volts  
**Lamp type:** MR16 20W Lamp Included, 35W Max.  
**Socket** Premium grade Porcelain socket with Nickel contacts and Teflon-jacketed wire leads  
**Gasket** Sealed with high grade weatherproof Silicone Gasket  
**Wiring** Pre-wired with 24" SJT Cord  
**Accessories** Round Stainless Steel Cover on PVC Sleeve  
**Document** [Installation Instructions](#)  
**Certifications**



Cat. No.	UPC
5010R	615624268103



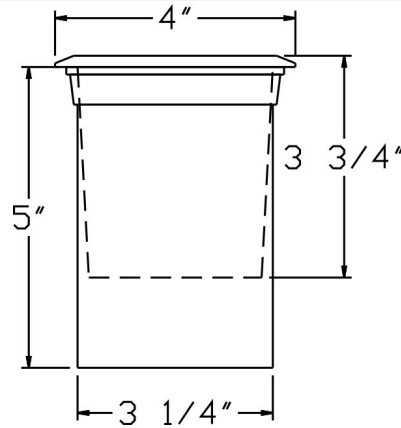


**Catalog#: 5010S**  
**MR16 WELL LIGHT W/ SQUARE S/S COVER**

**Category** Landscape Lighting  
**Page** [G28](#)

**Specifications:**

**Voltage** 12 Volts  
**Lamp type:** MR16 Lamp Included, 35W Max.  
**Socket** Premium grade Porcelain socket with Nickel contacts and Teflon-jacketed wire leads  
**Gasket** Sealed with high grade weatherproof Silicone Gasket  
**Wiring** Pre-wired with 24" SJT Cord  
**Accessories** Square Stainless Steel Cover on PVC Sleeve  
**Document** [Installation Instructions](#)  
**Certifications**



Cat. No.	UPC
5010S	615624268097



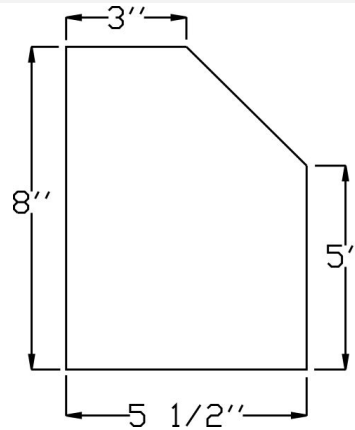


**Catalog#: 5300S**  
**PVC WELL FIXTURE W/ STAINLESS**

**Category** Landscape Lighting  
**Page** [G28](#)

**Specifications:**

**Material** Composite  
**Voltage** 12 Volts  
**Lamp type:** PAR36 Lamp Not Included, 50W Max.  
**Socket** Premium grade Porcelain socket with Nickel contacts and Teflon-jacketed wire leads  
**Gasket** Sealed with high grade weatherproof Silicone Gasket  
**Wiring** Pre-wired with 36" SPT-1 Cord  
**Accessories** Reversible PVC Fixture  
 Optional Louver Available [\[53L\]](#)



**Document** [Installation Instructions](#)

**Certifications** 

Cat. No.	UPC
5300S	615624266260



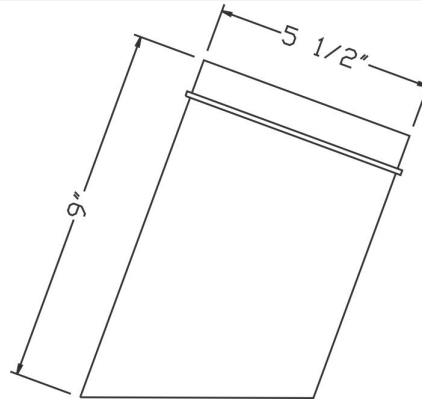


**Catalog#: S530**  
**PAR36 12V PVC FIXTURE + BRASS TRIM**

**Category** Landscape Lighting  
**Page** [G20](#)

**Specifications:**

Material	Composite
Voltage	12 Volts
Lamp type:	PAR36 Lamp Not Included, 50W Max.
Socket	Premium grade Porcelain socket with Nickel contacts and Teflon-jacketed wire leads
Gasket	Sealed with high grade weatherproof Silicone Gasket
Wiring	Pre-wired with 36" SPT-1 Cord
Accessories	Stainless Steel Components Stainless Steel Gimbel Included Replacement Brass Frame Available [ <a href="#">S530-COVER</a> ]



Document [Installation Instructions](#)

Certifications 

Cat. No.	UPC
*S530	615624264877

\*While Supplies Last





**Catalog#: S530-COVER**  
**ASSEMBLY COMPONENT FOR S530**

<b>Category</b>	Landscape Lighting
<b>Page</b>	<a href="#">G20</a>
<b>Barcode</b>	6-15624-37377-7

**Description:**

- Replacement Brass Frame for [S530](#) with Glass Lens

\*While Supplies Last



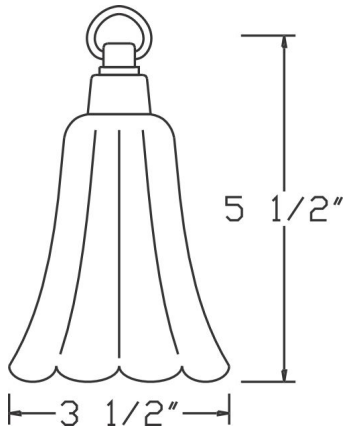


**Catalog#: 9010**  
**TREE LIGHT**

**Category** Landscape Lighting  
**Page** [G29](#)

**Specifications:**

**Material** Cast Aluminum  
**Voltage** 12 Volts  
**Lamp type:** JC Bi-Pin 20W Lamp  
 Included, 20W Max.  
**Accessories** 18" Cable and Chain



Cat. No.	Finishes	UPC
9010-BK	Black	615624374910





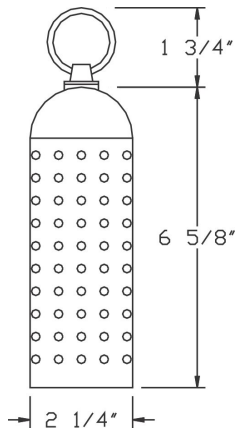


**Catalog#: 9013**  
**TREE LIGHT**

**Category** Landscape Lighting  
**Page** [G29](#)

**Specifications:**

**Material** Cast Aluminum  
**Voltage** 12 Volts  
**Lamp type:** JC Bi-Pin 20W Lamp  
 Included, 20W Max.  
**Accessories** 18" Cable and Chain



Cat. No.	Finishes	UPC
9013-BK	Black	615624265355
9013-VG	Verde Green	615624265379



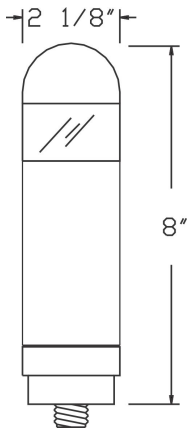


**Catalog#: 3011C**  
**MINI BOLLARD - CLEAR**

**Category** Landscape Lighting  
**Page** [G30](#)

**Specifications:**

Material Cast Aluminum  
 Voltage 12 Volts  
 Lamp type: MR11 10W Lamp Included, 10W Max.  
 Lens type: Clear Glass Lens



Cat. No.	Finishes	UPC
3011C-BK	Black	615624265249
3011C-VG	Verde Green	615624266727



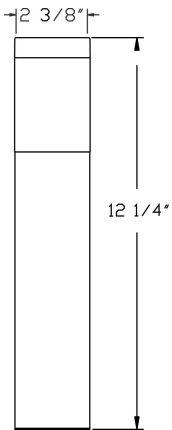


**Catalog#: 3018**  
**MINI POLE LIGHT**

**Category** Landscape Lighting  
**Page** [G21](#)

**Specifications:**

Material Cast Aluminum  
 Voltage 12 Volts  
 Lamp type T15 11W Lamp Included (20W Max)  
 Wedge-Base  
 Lens type Frosted Plastic Lens  
 GS-85 PVC Spike  
 Silicone Wire Nuts



Cat. No.	Finish	UPC
3018-BK	Black	615624265287
3018-VG	Verde Green	615624266741



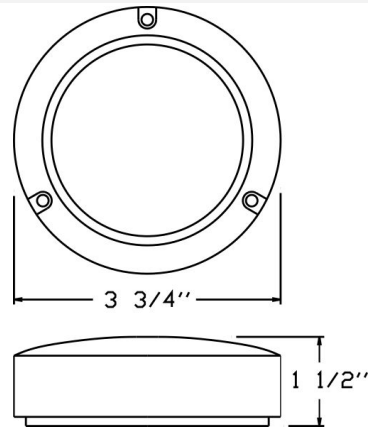


**Catalog#: 7050**  
**MINI SURFACE WALL LIGHT**

**Category** Landscape Lighting  
**Page** [G31](#)

**Specifications:**

**Material** Cast Aluminum  
**Voltage** 12 Volts  
**Lamp type** JC Bi-Pin 20W Lamp Included  
**Lens type** Frosted Glass  
**Socket** Premium grade Porcelain socket with Nickel contacts and Teflon-jacketed wire leads  
**Gasket** Sealed with high grade weatherproof Silicone Gasket  
**Wiring** Pre-wired with 6" SPT-1 Cord  
**Document** [Installation Instructions](#)  
**Certifications**



Cat. No.	Finishes	UPC
7050-BK	Black	615624269889
7050-BR	Bronze	615624269896
7050-WH	White	615624269902



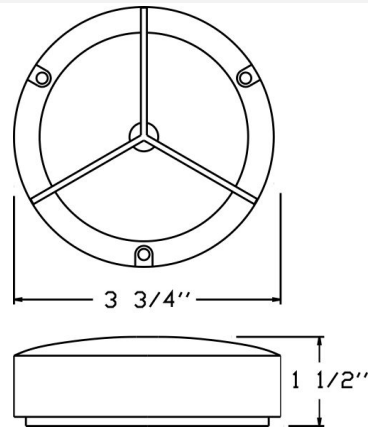


**Catalog#: 7053**  
**MINI SURFACE WALL LIGHT**

**Category** Landscape Lighting  
**Page** [G31](#)

**Specifications:**

**Material** Cast Aluminum  
**Voltage** 12 Volts  
**Lamp type** JC Bi-Pin 20W Lamp Included  
**Lens type** Frosted Glass  
**Socket** Premium grade Porcelain socket with Nickel contacts and Teflon-jacketed wire leads  
**Gasket** Sealed with high grade weatherproof Silicone Gasket  
**Wiring** Pre-wired with 6" SPT-1 Cord  
**Document** [Installation Instructions](#)  
**Certifications**



Cat. No.	Finishes	UPC
7053-BK	Black	615624269940
7053-BR	Bronze	615624269957
7053-WH	White	615624269964



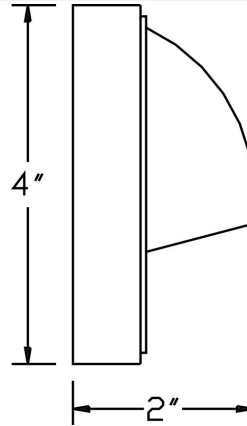


**Catalog#: 7011**  
**4" SURFACE MOON STEP/WALL LIGHT**

**Category** Landscape Lighting  
**Page** [G32](#)

**Specifications:**

**Material** Cast Aluminum  
**Voltage** 12 Volts  
**Lamp type** JC Bi-Pin 20W Lamp Included, 20W Max  
**Socket** Premium grade Porcelain socket with Nickel contacts and Teflon-jacketed wire leads  
**Gasket** Sealed with high grade weatherproof Silicone Gasket  
**Wiring** Pre-wired with 6" SPT-1 Cord  
**Document** [Installation Instructions](#)  
**Certifications**



Cat. No.	Finishes	UPC
7011-BK	Black	615624265164
7011-BR	Bronze	615624266666
7011-WH	White	615624268172
7011-VG	Verde Green	615624265171




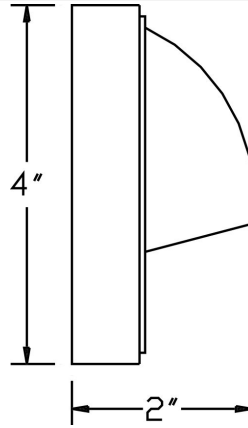


**Catalog#: B7011**  
**4" SURFACE MOON STEP/WALL LIGHT BRASS**

**Category** Landscape Lighting  
**Page** [G32](#)

**Specifications:**

**Material** Solid Cast Brass  
**Voltage** 12 Volts  
**Lamp type** JC Bi-Pin 20W Lamp Included, 20W Max  
**Socket** Premium grade Porcelain socket with Nickel contacts and Teflon-jacketed wire leads  
**Gasket** Sealed with high grade weatherproof Silicone Gasket  
**Wiring** Pre-wired with 6" SPT-1 Cord  
**Document** [Installation Instructions](#)  
**Certifications** 



Cat. No.	Finishes	UPC
B7011-ARB	Architectural Bronze	615624272247
B7011-NB	Natural Bronze	615624268189




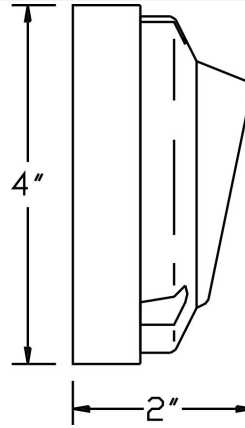


**Catalog#: B7012**  
**4" SURFACE LOUVER STEP/WALL LIGHT BRAS**

**Category** Landscape Lighting  
**Page** [G32](#)

**Specifications:**

**Material** Solid Cast Brass  
**Voltage** 12 Volts  
**Lamp type** JC Bi-Pin 20W Lamp Included, 20W Max  
**Socket** Premium grade Porcelain socket with Nickel contacts and Teflon-jacketed wire leads  
**Gasket** Sealed with high grade weatherproof Silicone Gasket  
**Wiring** Pre-wired with 6" SPT-1 Cord  
**Document** [Installation Instructions](#)  
**Certifications** 



Cat. No.	Finishes	UPC
B7012-ARB	Architectural Bronze	615624272254
B7012-NB	Natural Bronze	615624268196





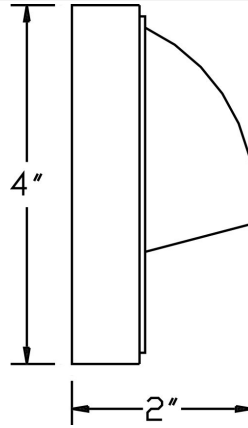


**Catalog#: SS7011**  
**4" SURFACE MOON STEP/WALL LIGHT SS**

**Category** Landscape Lighting  
**Page** [G32](#)

**Specifications:**

**Material** Stainless Steel Coated Cast Brass  
**Voltage** 12 Volts  
**Lamp type** JC Bi-Pin Lamp Included, 20W Max  
**Socket** Premium grade Porcelain socket with Nickel contacts and Teflon-jacketed wire leads  
**Gasket** Sealed with high grade weatherproof Silicone Gasket  
**Wiring** Pre-wired with 6" SPT-1 Cord  
**Document** [Installation Instructions](#)  
**Certifications**



Cat. No.	Finishes	UPC
SS7011	Stainless Steel	615624268202



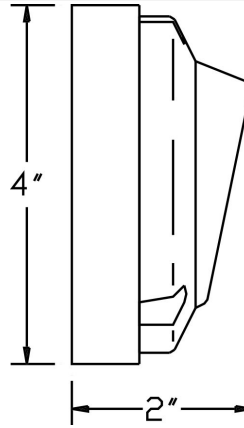


**Catalog#: SS7012**  
**4" SURFACE LOUVER STEP/WALL LIGHT - SS**

**Category** Landscape Lighting  
**Page** [G32](#)

**Specifications:**

**Material** Stainless Steel Coated Cast Brass  
**Voltage** 12 Volts  
**Lamp type** JC Bi-Pin 20W Lamp Included, 20W Max  
**Socket** Premium grade Porcelain socket with Nickel contacts and Teflon-jacketed wire leads  
**Gasket** Sealed with high grade weatherproof Silicone Gasket  
**Wiring** Pre-wired with 6" SPT-1 Cord  
**Document** [Installation Instructions](#)  
**Certifications**



Cat. No.	Finishes	UPC
SS7012	Stainless Steel	615624268219




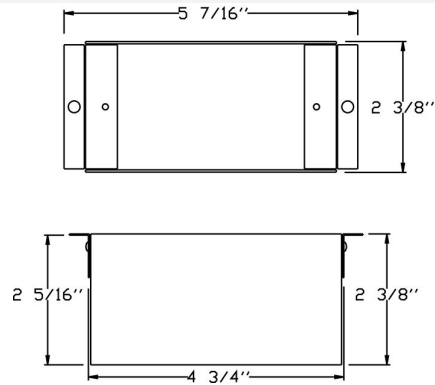


**Catalog#: B60H**  
**B600 HOUSING BIONET**

**Category** Landscape Lighting  
**Page** [G33](#)

**Specifications:**

Material	Powder Coated Galvanized Steel
Voltage	12 Volts
Lamp type	Bayonet 18W Lamp, 26W Max
Socket	Premium grade Porcelain socket with Nickel contacts and Teflon-jacketed wire leads
Gasket	Sealed with high grade weatherproof Silicone Gasket
Wiring	Pre-wired with 24" SPT-1 Cord
Accessories	Silicone Gasket Fits with <a href="#">B600C</a> or <a href="#">B601C</a> Coverplate
Document	<a href="#">Installation Instructions</a>
Certifications	



Cat. No.	UPC
B60H	615624272124



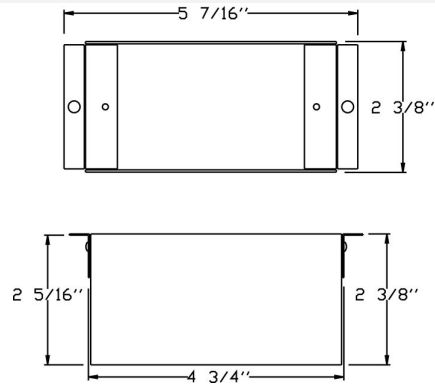


**Catalog#: B60H-LED**  
**B600 HOUSING - LED VERSION**

**Category** Landscape Lighting  
**Page** [G33](#) / [26 27](#) (LED Catalog)

**Specifications:**

**Material** Powder Coated Galvanized Steel  
**Voltage** 12V  
**Power** 1.46W Input Power  
**Color Temperature** 4000K  
**Gasket** Sealed with high grade weatherproof Silicone Gasket  
**Wiring** Pre-wired with 24" SPT-1 Cord  
**Accessories** Silicone Gasket  
 Fits with [B600C](#) or [B601C](#)  
 Coverplate  
**Document** [Installation Instructions](#)  
**Certifications**



Cat. No.	UPC
B60H-LED	615624272131



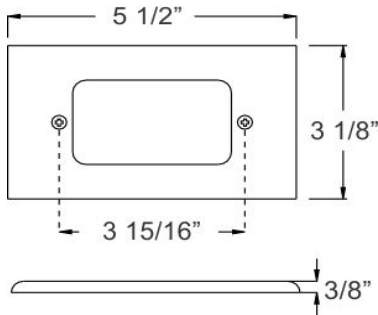


**Catalog#: B600C**  
**STEP LIGHT FACE PLATE**

**Category** Landscape Lighting  
**Page** [120](#)

**Specifications:**

Housing: Fits with [B60H](#) or [B60H-LED](#)



Cat. No.	Material	Finish	UPC
*B600C-AB	Solid Brass	Antique Brass	615624271943
B600C-AZ	Solid Brass	Antique Bronze	615624271974
B600C-ARB	Solid Brass	Architectural Bronze	615624387231
*B600C-AG	Solid Brass	Aged Green	615624271950
B600C-BR	Galvanized Steel	Bronze Powder Coat	615624271998
B600C-BK	Galvanized Steel	Black Powder Coat	615624271981
B600C-WH	Galvanized Steel	White Powder Coat	615624272025
B600C-SS	Stainless Steel	Brushed Stainless Steel	615624272018

\*While Supplies Last



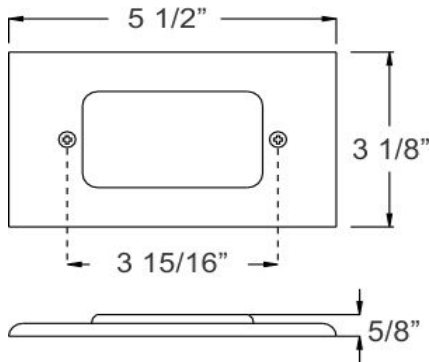


**Catalog#: B601C**  
**STEP LIGHT FACE PLATE**

**Category** Landscape Lighting  
**Page** [I20](#)

**Specifications:**

Housing: Fits with [B60H](#) or [B60H-LED](#)



Cat. No.	Material	Finish	UPC
*B601C-AB	Solid Brass	Antique Brass	615624272032
B601C-AZ	Solid Brass	Antique Bronze	615624272063
*B601C-AG	Solid Brass	Aged Green	615624272049
B601C-BR	Galvanized Steel	Bronze Powder Coat	615624272087
B601C-BK	Galvanized Steel	Black Powder Coat	615624272070
B601C-WH	Galvanized Steel	White Powder Coat	615624272117

\*While Supplies Last




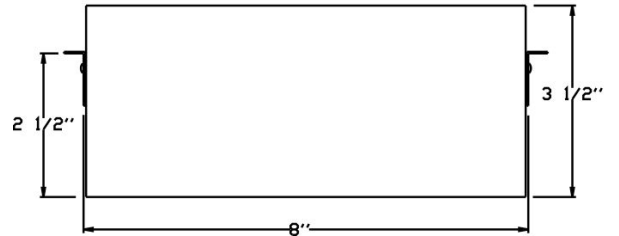
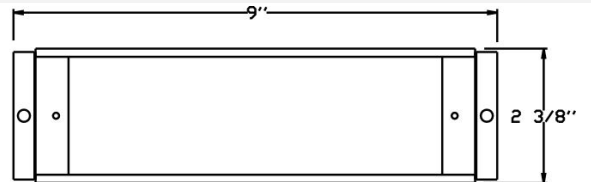


**Catalog#: B70H**  
**B700 HOUSING BIONET**

**Category** Landscape Lighting  
**Page** [G34](#)

**Specifications:**

Material	Powder Coated Galvanized Steel
Voltage	12 Volts
Lamp type	Bayonet 2 x 18W Lamp Included, 36W Max, 52W Total Max.
Socket	Premium grade Porcelain socket with Nickel contacts and Teflon-jacketed wire leads
Gasket	Sealed with high grade weatherproof Silicone Gasket
Wiring	Pre-wired with 24" SPT-1 Cord
Accessories	Silicone Gasket Fits with <a href="#">B700C</a> or <a href="#">B701C</a> Coverplate
Document	<a href="#">Installation Instructions</a>
Certifications	



Cat. No.	UPC
B70H	615624272353



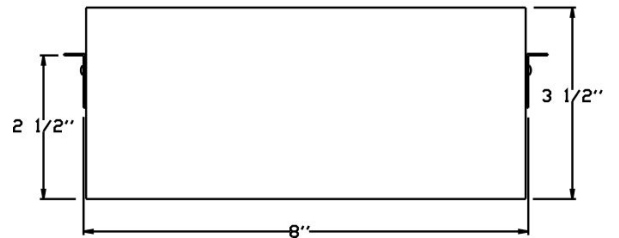
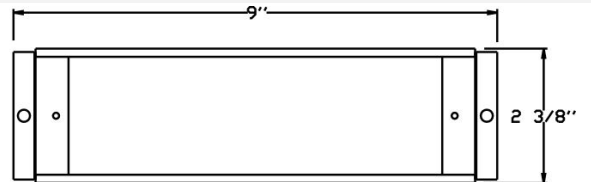


**Catalog#: B70H-LED  
 B700 LED HOUSING**

**Category** Landscape Lighting  
**Page** [G34](#) / [28](#) [29](#) (LED Catalog)

**Specifications:**

**Material** Powder Coated Galvanized Steel  
**Voltage** 12 Volts  
**Power** 3.78W Input Power  
**Color Temperature** 4000K  
**Gasket** Sealed with high grade weatherproof Silicone Gasket  
**Wiring** Pre-wired with 24" SPT-1 Cord  
**Accessories** Silicone Gasket  
 Fits with [B700C](#) or [B701C](#)  
 Coverplate  
**Document** [Installation Instructions](#)  
**Certifications**



Cat. No.	UPC
B70H-LED	615624272360





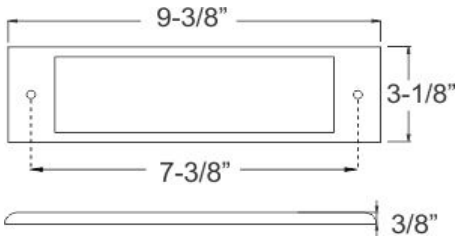


**Catalog#: B700C**  
**STEP LIGHT FACE PLATE**

**Category** Landscape Lighting  
**Page** [G23](#)

**Specifications:**

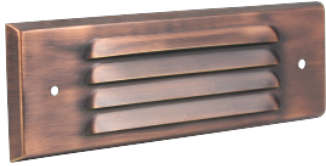
Housing: Fits with [B70H](#) or [B70H-LED](#)



Cat. No.	Material	Finish	UPC
*B700C-AB	Solid Brass	Antique Brass	615624272155
B700C-AZ	Solid Brass	Antique Bronze	615624272186
B700C-ARB	Solid Brass	Architectural Bronze	615624272179
B700C-AG	Solid Brass	Aged Green	615624272162
B700C-BR	Galvanized Steel	Bronze Powder Coat	615624272209
B700C-BK	Galvanized Steel	Black Powder Coat	615624272193
B700C-WH	Galvanized Steel	White Powder Coat	615624272230
B700C-SS	Stainless Steel	Brushed Stainless Steel	615624272223

\*While Supplies Last



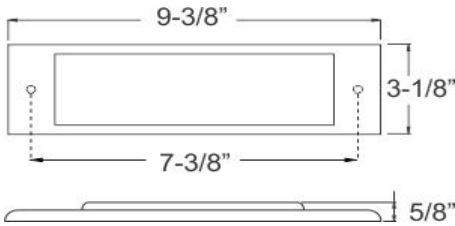


**Catalog#: B701C**  
**STEP LIGHT FACE PLATE**

**Category** Landscape Lighting  
**Page** [G23](#)

**Specifications:**

Housing: Fits with [B70H](#) or [B70H-LED](#)



Cat. No.	Material	Finish	UPC
B701C-AB	Solid Brass	Antique Brass	615624272261
*B701C-NB	Solid Brass	Natural Brass	615624272322
B701C-AZ	Solid Brass	Antique Bronze	615624272292
B701C-ARB	Solid Brass	Architectural Bronze	615624387224
B701C-AG	Solid Brass	Aged Green	615624272278
B701C-BR	Galvanized Steel	Bronze Powder Coat	615624272315
B701C-BK	Galvanized Steel	Black Powder Coat	615624272308
B701C-WH	Galvanized Steel	White Powder Coat	615624272346
B701C-SS	Stainless Steel	Brushed Stainless Steel	615624272339

\*While Supplies Last



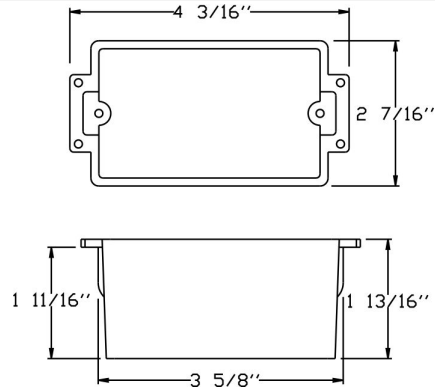


**Catalog#: 7100H**  
**STEP LIGHT HOUSING JC 12V**

**Category** Landscape Lighting  
**Page** [G35](#)

**Specifications:**

**Material** Powder Coated Galvanized Steel  
**Voltage** 12 Volts  
**Lamp type** JC Bi-Pin 20W Lamp Included, 20W Max  
**Socket** Premium grade Porcelain socket with Nickel contacts and Teflon-jacketed wire leads  
**Gasket** Sealed with high grade weatherproof Silicone Gasket  
**Wiring** Pre-wired with 24" SPT-1 Cord  
**Accessories** Silicone Gasket  
 Fits with [7110C](#), [7112C](#), [7121C](#), or



**Document** [7122C Coverplate Installation Instructions](#)

**Certifications** 

Cat. No.	UPC
7100H	615624270007



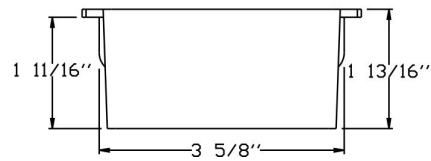
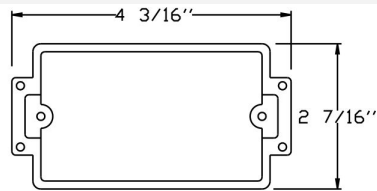


**Catalog#: 7100H-LED**  
**7100H STEP LIGHT HOUSING**


**Category** Landscape Lighting  
**Page** [G35](#) / [30](#) [31](#) [32](#) [33](#) (LED Catalog)

**Specifications:**

**Material** Powder Coated Galvanized Steel  
**Voltage** 12V  
**Power** 1.78W Input Power  
**Color Temperature** 4000K  
**Gasket** Sealed with high grade weatherproof Silicone Gasket  
**Wiring** Pre-wired with 24" SPT-1 Cord  
**Accessories** Silicone Gasket  
 Fits with [7110C](#), [7112C](#), [7121C](#), or



**Document** [7122C Coverplate Installation Instructions](#)

**Certifications** 

Cat. No.	UPC
7100H-LED	615624270014



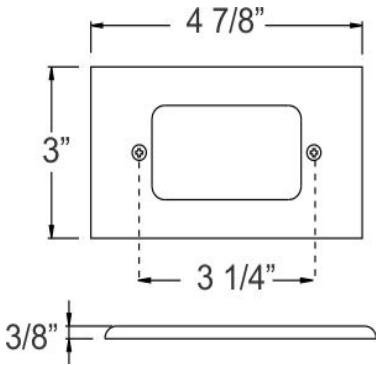


**Catalog#: 7110C**  
**STEP LIGHT FACE PLATE**

**Category** Landscape Lighting  
**Page** [G24](#)

**Specifications:**

Housing: Fits with [7100H](#) or [7100H-LED](#)



Cat. No.	Material	Finish	UPC
7110C-ARB	Solid Brass	Architectural Bronze	615624270045
7110C-BR	Aluminum	Bronze Powder Coat	615624270076
7110C-BK	Aluminum	Black Powder Coat	615624270069
7110C-WH	Aluminum	White Powder Coat	615624270090
7110C-SS	Stainless Steel	Brushed Stainless Steel	615624270083



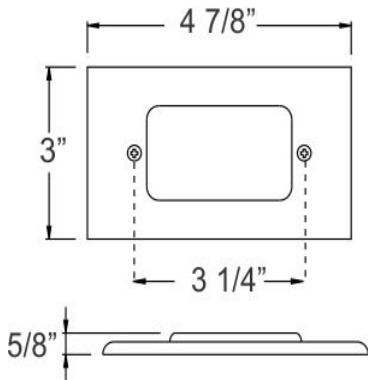


**Catalog#: 7112C**  
**STEP LIGHT FACE PLATE**

**Category** Landscape Lighting  
**Page** [G24](#)

**Specifications:**

Housing : Fits with [7100H](#) or [7100H-LED](#)



Cat. No.	Material	Finish	UPC
*7112C-AB	Solid Brass	Antique Brass	615624270106
*7112C-AZ	Solid Brass	Antique Bronze	615624270137
7112C-ARB	Solid Brass	Architectural Bronze	615624270120
7112C-AG	Solid Brass	Aged Green	615624270113
7112C-BR	Aluminum	Bronze Powder Coat	615624270151
7112C-BK	Aluminum	Black Powder Coat	615624270144
7112C-WH	Aluminum	White Powder Coat	615624270175
7112C-SS	Stainless Steel	Brushed Stainless Steel	615624270168

\*While Supplies Last



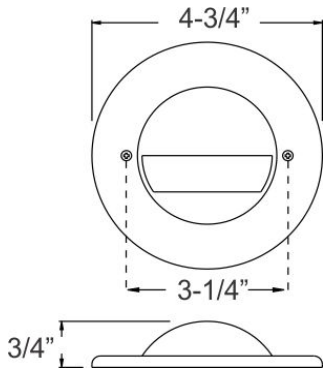


**Catalog#: 7121C**  
**STEP LIGHT FACE PLATE**

**Category** Landscape Lighting  
**Page** [G25](#)

**Specifications:**

Housing: Fits with [7100H](#) or [7100H-LED](#)



Cat. No.	Material	Finish	UPC
7121C-AB	Solid Brass	Antique Brass	615624270182
*7121C-AZ	Solid Brass	Antique Bronze	615624270212
*7121C-ARB	Solid Brass	Architectural Bronze	615624270205
7121C-AG	Solid Brass	Aged Green	615624270199
*7121C-BR	Aluminum	Bronze Powder Coat	615624270236
7121C-WH	Aluminum	White Powder Coat	615624270250
7121C-SS	Stainless Steel	Brushed Stainless Steel	615624270243

\*While Supplies Last



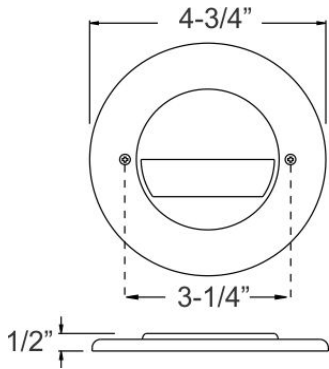


**Catalog#: 7122C**  
**STEP LIGHT FACE PLATE**

**Category** Landscape Lighting  
**Page** [G25](#)

**Specifications:**

Housing: Fits with [7100H](#) or [7100H-LED](#)



Cat. No.	Material	Finish	UPC
7122C-AB	Solid Brass	Antique Brass	615624270267
*7122C-AZ	Solid Brass	Antique Bronze	615624270298
*7122C-ARB	Solid Brass	Architectural Bronze	615624270281
7122C-AG	Solid Brass	Aged Green	615624270274
*7122C-BR	Aluminum	Bronze Powder Coat	615624270311
*7122C-BK	Aluminum	Black Powder Coat	615624270304
7122C-WH	Aluminum	White Powder Coat	615624270335
*7122C-SS	Stainless Steel	Brushed Stainless Steel	615624270328

\*While Supplies Last





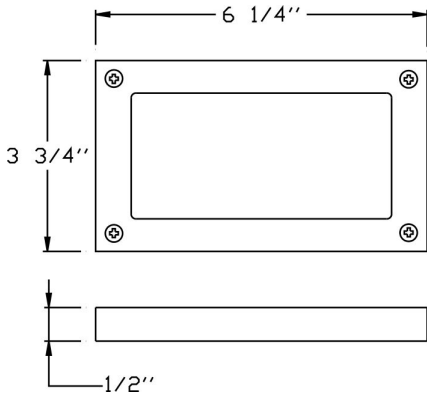


**Catalog#: 7150C**  
**STEP LIGHT FACE PLATE**

**Category** Landscape Lighting

**Specifications:**

Housing: Fits with [7150H](#) or [7150H-LED](#)



Cat. No.	Material	Finish	UPC
*7150C-BR	Cast Aluminum	Bronze Powder Coat	615624270359

\*While Supplies Last




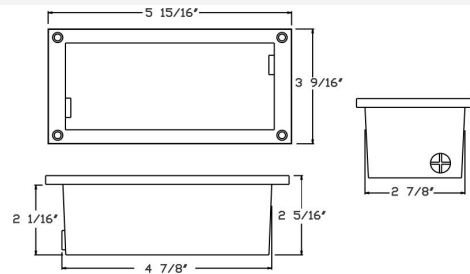


**Catalog#: 7150H**  
**STEP LIGHT HOUSING**

**Category** Landscape Lighting  
**Page** [G36](#)

**Specifications:**

Material	Powder Coated Cast Aluminum
Voltage	12 Volts
Lamp type	JC Bi-Pin 20W Lamp Included, 50W Max
Socket	Premium grade Porcelain socket with Nickel contacts and Teflon-jacketed wire leads
Gasket	Sealed with high grade weatherproof Silicone Gasket
Wiring	Pre-wired with 24" SPT-1 Cord
Accessories	Silicone Gasket Use with <a href="#">7150C</a> , <a href="#">7152C</a> , <a href="#">7153C</a> , or <a href="#">7158C</a> Coverplate
Document	<a href="#">Installation Instructions</a>
Certifications	



Cat. No.	UPC
7150H	615624270373



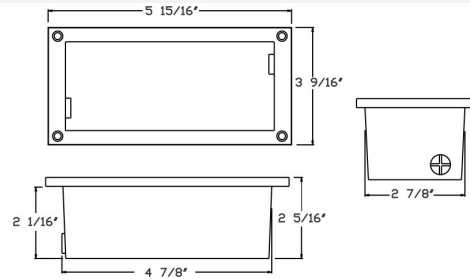


**Catalog#: 7150H-LED**  
**STEP LIGHT HOUSING - LED VERSION**

**Category** Landscape Lighting  
**Page** [G36 / 34 35](#) (LED Catalog)

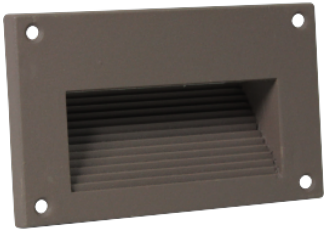
**Specifications:**

**Material** Powder Coated Cast Aluminum  
**Voltage** 12 Volts  
**Power** 2.94W Input Power  
**Color Temperature** 4000K  
**Gasket** Sealed with high grade weatherproof Silicone Gasket  
**Wiring** Pre-wired with 24" SPT-1 Cord  
**Accessories** Silicone Gasket  
 Use with [7150C](#) and [7153C](#)  
 Coverplate  
**Document** [Installation Instructions](#)  
**Certifications**



Cat. No.	UPC
7150H-LED	615624270380



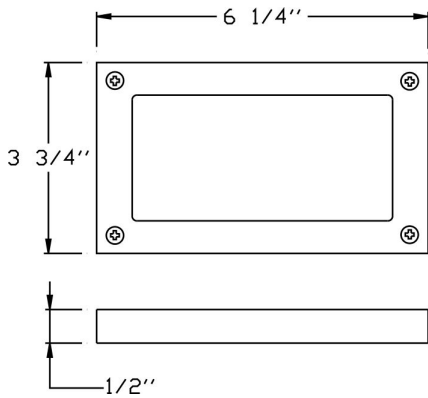


**Catalog#: 7152C**  
**STEP LIGHT FACE PLATE**

**Category** Landscape Lighting  
**Page** [G36](#)

**Specifications:**

Housing: Fits with [7050H](#) or [7152H-LED](#)



Cat. No.	Material	Finishes	UPC
7152C-BR	Cast Aluminum	Bronze Powder Coat	615624270403
7152C-WH	Cast Aluminum	White Powder Coat	615624270410




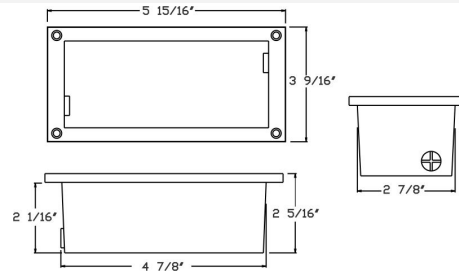


**Catalog#: 7152H-LED**  
**STEP LIGHT HOUSING - LED VERSION**

**Category** Landscape Lighting  
**Page** [G36 / 36](#) (LED Catalog)

**Specifications:**

Material	Powder Coated Cast Aluminum
Voltage	12 Volts
Power	1.20W Input Power
Color Temperature	4000K
Gasket	Sealed with high grade weatherproof Silicone Gasket
Wiring	Pre-wired with 24" SPT-1 Cord
Accessories	Silicone Gasket Use with 7152C Only
Document	<a href="#">Installation Instructions</a>
Certifications	



Cat. No.	UPC
7152H-LED	615624270427





**Catalog#: 7153C**  
**STEP LIGHT FACE PLATE**

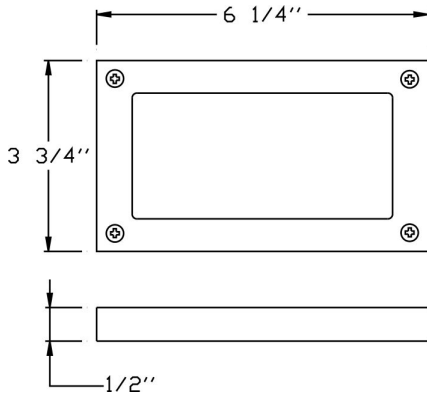
**Category**

Landscape Lighting

**Specifications:**

Housing:

Fits with [7150H](#) or [7150H-LED](#)



Cat. No.	Material	Finish	UPC
7153C-WH	Cast Aluminum	White Powder Coat	615624270458





**Catalog#: S710C**  
**STEP LIGHT FACE PLATE**

**Category**

Line Voltage

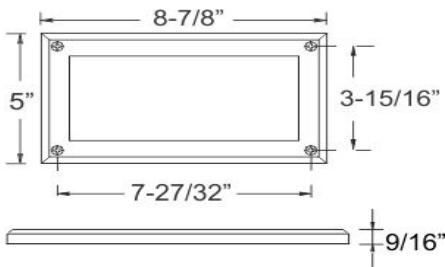
**Page**

[G37](#) / [H12](#)

**Features:**

Lens type: Frosted Glass Lens

Housing: Fits [S710H-E26](#), [S710H-PLQ9](#),  
[S710H-PLQ13](#), [S710H-LED-120V](#)



Cat. No.	Material	Finishes	UPC
S710C-BR	Cast Aluminum	Bronze	615624373807
S710C-BK	Cast Aluminum	Black	615624373791
S710C-WH	Cast Aluminum	White	615624373814



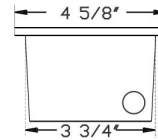
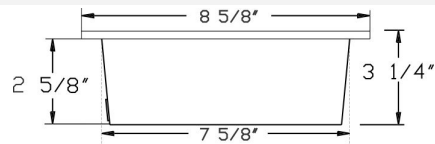


**Catalog#: S710H-LED-12V**  
**STEP LIGHT HOUSING - LED VERSION**

**Category** Landscape Lighting  
**Page** [G37](#) / [38](#) [39](#) [40](#) (LED Catalog)

**Specifications:**

**Material** Powder Coated Cast Aluminum  
**Voltage** 12 Volts  
**Power** 5.70W Input Power  
**Color Temperature** 4000K  
**Gasket** Sealed with high grade weatherproof Silicone Gasket  
**Wiring** Pre-wired with 24" SPT-1 Cord  
**Accessories** Silicone Gasket  
 Use with [S710C](#), [S711C](#), or [S713C](#) Coverplate  
**Document** [Installation Instructions](#)  
**Certifications**



Cat. No.	UPC
S710H-LED-12V	615624373838







**Catalog#: S711C**  
**STEP LIGHT FACE PLATE**

**Category**

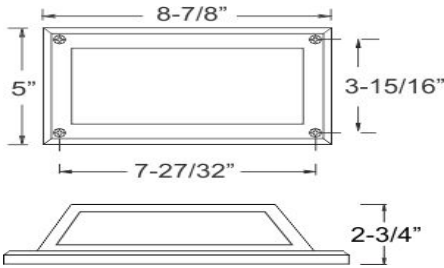
Line Voltage

**Page**

[G37](#) / [H12](#)

**Specifications:**

Lens type: Frosted Glass Lens  
 Housing: Fits [S710H-E26](#), [S710H-PLQ9](#),  
[S710H-PLQ13](#), [S710H-LED-120V](#)



Cat. No.	Material	Finishes	UPC
S711C-BR	Cast Aluminum	Bronze	615624373883
S711C-BK	Cast Aluminum	Black	615624373876
S711C-WH	Cast Aluminum	White	615624373890





**Catalog#: S712C**  
**STEP LIGHT FACE PLATE**

**Category**

Line Voltage

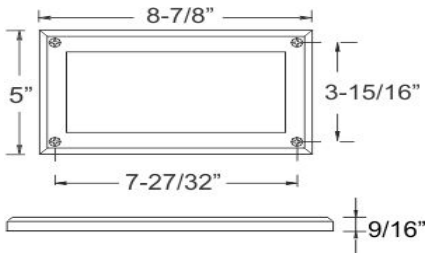
**Page**

[G37](#) / [H12](#)

**Specifications:**

Lens type: Frosted Glass Lens

Housing: Fits [S710H-E26](#)



Cat. No.	Material	Finishes	UPC
S712C-BR	Cast Aluminum	Bronze	615624373913
S712C-BK	Cast Aluminum	Black	615624373906
S712C-WH	Cast Aluminum	White	615624373920




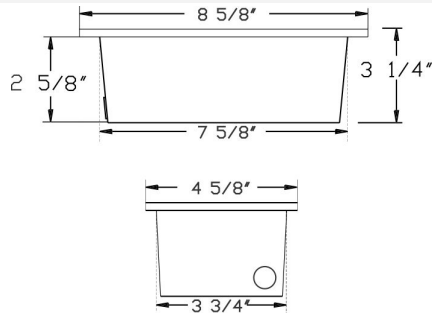


**Catalog#: S712H-LED-12V**  
**STEP LIGHT HOUSING - LED VERSION**

**Category** Landscape Lighting  
**Page** [G37 / 41](#) (LED Catalog)

**Specifications:**

Material	Powder Coated Cast Aluminum
Voltage	12 Volts
Power	3.37W Input Power
Color Temperature	4000K
Gasket	Sealed with high grade weatherproof Silicone Gasket
Wiring	Pre-wired with 24" SPT-1 Cord
Accessories	Silicone Gasket Use with <a href="#">S712C</a> Only
Document	<a href="#">Installation Instructions</a>
Certifications	



Cat. No.	UPC
S712H-LED-12V	615624373937





**Catalog#: S713C**  
**STEP LIGHT FACE PLATE**

**Category**

Line Voltage

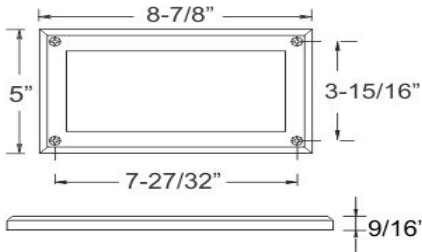
**Page**

[G37](#) / [H12](#)

**Specifications:**

Lens type: Frosted Glass Lens

Housing: Fits [S710H-E26](#), [S710H-PLQ9](#),  
[S710H-PLQ13](#), [S710H-LED-120V](#)



Cat. No.	Material	Finishes	UPC
S713C-BR	Cast Aluminum	Bronze	615624373951
S713C-BK	Cast Aluminum	Black	615624373944
S713C-WH	Cast Aluminum	White	615624373968



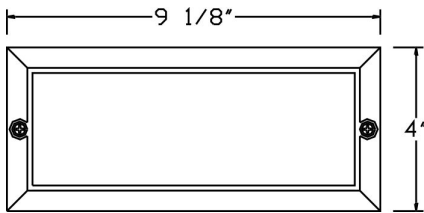


**Catalog#: 7210C**  
**STEP LIGHT COVER PLATE**

**Category** Line Voltage  
**Page** [G38](#) / [H11](#)

**Features:**

- Material Cast Aluminum
- Socket Premium Grade Porcelain Socket  
- Pulse Rated
- Gasket Sealed with High Grade  
Weatherproof Silicone Gasket
- Wiring Pre-wired Teflon-Jacketed 9"  
Pigtail
- Lens type Frosted Glass Lens
- Housing Fits with [7210H-E26](#) and  
[7210H-PL9](#)



Cat. No.	Finishes	UPC
7210C-BK	Black	615624270502
7210C-BR	Bronze	615624270519
7210C-WH	White	615624270526



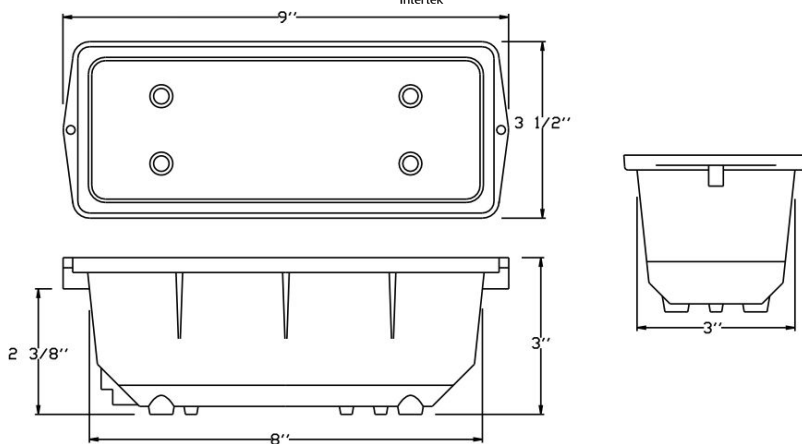


**Catalog#: 7210H**  
**12V 36W STEP LIGHT HOUSING**

**Category** Landscape Lighting  
**Page** [G38](#)

**Specifications:**

Material	Powder Coated Cast Aluminum
Voltage	12 Volts
Lamp type	Bayonet 2 x 18W (36W) Lamp Included
Socket	Premium grade Porcelain socket with Nickel contacts and Teflon-jacketed wire leads
Gasket	Sealed with high grade weatherproof Silicone Gasket
Wiring	Pre-wired with 24" SPT-1 Cord
Accessories	Sealing Gasket Use with <a href="#">7210C</a> and <a href="#">7212C</a> Only
Document	<a href="#">Installation Instructions</a>
Certifications	



Cat. No.	UPC
7210H	615624270533





**Catalog#: 7212C**  
**STEP LIGHT COVER PLATE**

**Category**

Line Voltage

**Page**

[G38](#) / [H11](#)

**Features:**

- Lens type: Frosted Glass Lens  
 Housing: Fits [7210H-E26](#) and [7210H-PL9](#)



Cat. No.	Material	Finishes	UPC
7212C-BK	Cast Aluminum	Black	615624270540
7212C-BR	Cast Aluminum	Bronze	615624270557
7212C-WH	Cast Aluminum	White	615624270571
*7212C-VG	Cast Aluminum	Verde Green	615624266710

\*While Supplies Last





**Catalog#: 7312C**  
**STEP LIGHT COVER PLATE**

**Category**

Line Voltage

**Features:**

Lens type: Frosted Glass Lens  
 Housing: Fits with [7210H-E26](#) and [7210H-PL9](#)

Cat. No.	Material	Finishes	UPC
7312C-BK	Cast Aluminum	Black	615624270588
7312C-BR	Cast Aluminum	Bronze	615624270595
7312C-WH	Cast Aluminum	White	615624270601





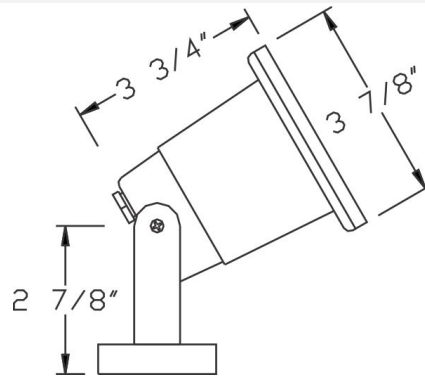


**Catalog#: B510**  
**UNDER WATER FIXTURE MR16 - SOLID BRASS**

**Category** Landscape Lighting  
**Page** [G39](#)

**Specifications:**

**Material** Solid Brass  
**Voltage** 12 Volts  
**Lamp type** MR16 20W Lamp Included, 35W Max.  
**Lens type** Tempered Glass  
**Socket** Premium grade Porcelain socket with Nickel contacts and Teflon-jacketed wire leads  
**Gasket** Sealed with high grade weatherproof Silicone Gasket  
**Wiring** Pre-wired with 30 Ft SJT Cord  
**Accessories** Silicone Gasket  
 Brass or Stainless Steel Fittings  
**Document** [Installation Instructions](#)  
**Certifications**



Cat. No.	Finishes	UPC
B510	Natural Brass	615624264044



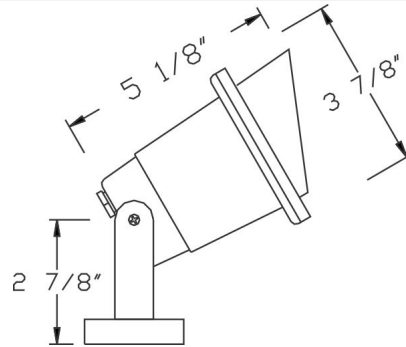


**Catalog#: B511**  
**UNDER WATER FIXTURE MR16 - SOLID BRASS**

**Category** Landscape Lighting  
**Page** [G30](#)

**Specifications:**

**Material** Solid Brass  
**Voltage** 12 Volts  
**Lamp type** MR16 20W Lamp Included, 35W Max.  
**Lens type** Tempered Glass  
**Socket** Premium grade Porcelain socket with Nickel contacts and Teflon-jacketed wire leads  
**Gasket** Sealed with high grade weatherproof Silicone Gasket  
**Wiring** Pre-wired with 30 Ft SJT Cord  
**Accessories** Silicone Gasket  
 Brass or Stainless Steel Fittings  
**Document** [Installation Instructions](#)  
**Certifications**



Cat. No.	Finish	UPC
*B511	Natural Brass	615624268134

\*While Supplies Last



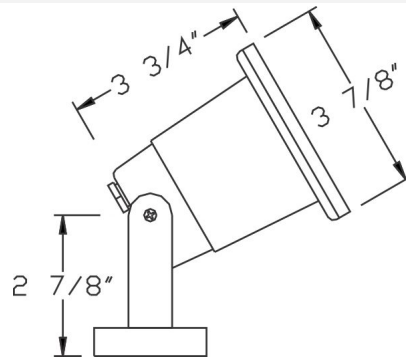


**Catalog#: SS510**  
**UNDER WATER FIXTURE MR16 -SOLID S/S**

**Category** Landscape Lighting  
**Page** [G40](#)

**Specifications:**

**Material** Solid Grade 304 Stainless Steel  
**Voltage** 12 Volts  
**Lamp type** MR16 20W Lamp Included, 35W Max.  
**Lens type** Tempered Glass  
**Socket** Premium grade Porcelain socket with Nickel contacts and Teflon-jacketed wire leads  
**Gasket** Sealed with high grade weatherproof Silicone Gasket  
**Wiring** Pre-wired with 30 Ft SJT Cord  
**Accessories** Silicone Gasket  
 Stainless Steel Fittings  
**Document** [Installation Instructions](#)  
**Certifications**



Cat. No.	Finishes	UPC
SS510	Stainless Steel	615624265409



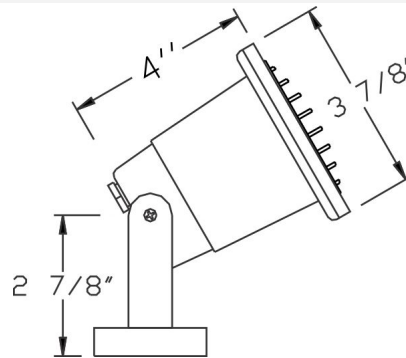


**Catalog#: SS512**  
**UNDER WATER FIXTURE MR16 -SOLID S/S**

**Category** Landscape Lighting  
**Page** [G40](#)

**Specifications:**

**Material** Solid Grade 304 Stainless Steel  
**Voltage** 12 Volts  
**Lamp type** MR16 20W Lamp Included, 35W Max.  
**Lens type** Tempered Glass  
**Socket** Premium grade Porcelain socket with Nickel contacts and Teflon-jacketed wire leads  
**Gasket** Sealed with high grade weatherproof Silicone Gasket  
**Wiring** Pre-wired with 30 Ft SJT Cord  
**Accessories** Silicone Gasket  
 Stainless Steel Fittings  
**Document** [Installation Instructions](#)  
**Certifications**



Cat. No.	Finishes	UPC
SS512	Stainless Steel	615624271936





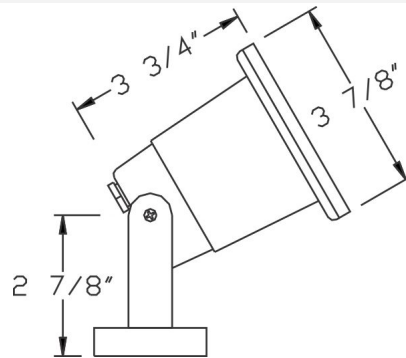
**Catalog#: 5510**

**ADJUSTABLE ANGLE MR16 SPOT/WELL FIXTURE**

**Category** Landscape Lighting  
**Page** [G32](#)

**Specifications:**

**Material** Solid Aluminum  
**Voltage** 12 Volts  
**Lamp type** MR16 20W Lamp Included, 35W Max.  
**Lens type** Tempered Glass  
**Socket** Premium grade Porcelain socket with Nickel contacts and Teflon-jacketed wire leads  
**Gasket** Sealed with high grade weatherproof Silicone Gasket  
**Wiring** Pre-wired with 30 Ft SJT Cord  
**Accessories** Silicone Gasket  
 Brass or Stainless Steel Fittings  
**Document** [Installation Instructions](#)  
**Certifications**



Cat. No.	Finish	UPC
5510-BK	Black	615624266130
5510-WH	White	615624268950



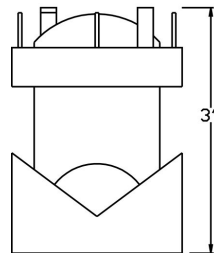
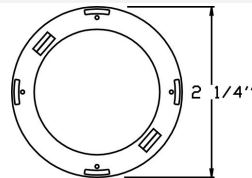


**Catalog#: FG505**  
**3-FIXTURE UNDER WATER KIT**

**Category** Landscape Lighting  
**Page** [G32](#)

**Specifications:**

**Material** Composite  
**Voltage** 12 Volts  
**Lamp type** MR11 20W Lamp Included, 20W Max.  
**Lens type** Tempered Glass  
**Socket** Premium grade Porcelain socket with Nickel contacts and Teflon-jacketed wire leads  
**Gasket** Sealed with high grade weatherproof Silicone Gasket  
**Wiring** Pre-wired with 20 Ft SJT Cord  
**Accessories** 3 Underwater Lights Kit  
 AC Adapter Included  
 4 Colored Lenses Per Fixture (Red, Green, Blue, Yellow)  
 Brass or Stainless Steel Fittings



**Document** [Installation Instructions](#)

**Certifications** 

Cat. No.	Finish	UPC
*FG505	Black	615624272742

\*While Supplies Last




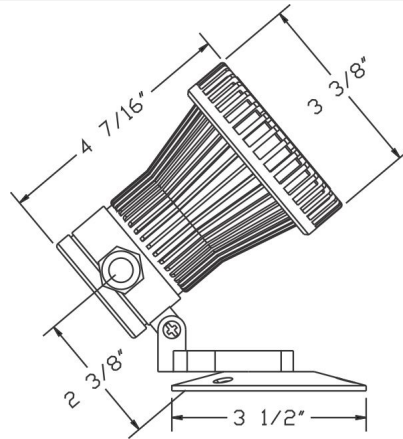


**Catalog#: FG520**  
**50W JC FIBER GLASS UNDER WATER FIXTURE**

**Category** Landscape Lighting  
**Page** [G41](#)

**Specifications:**

Material	Composite
Voltage	12 Volts
Lamp type	JC Bi-Pin 20W Lamp Included, 20W Max.
Lens type	Tempered Glass
Socket	Premium grade Porcelain socket with Nickel contacts and Teflon-jacketed wire leads
Gasket	Sealed with high grade weatherproof Silicone Gasket
Wiring	Pre-wired with 30 Ft SJT Cord
Accessories	Silicone Gasket Round Stainless Steel Base Brass or Stainless Steel Fittings
Document	<a href="#">Installation Instructions</a>
Certifications	



Cat. No.	Finishes	UPC
FG520	Black	615624268165



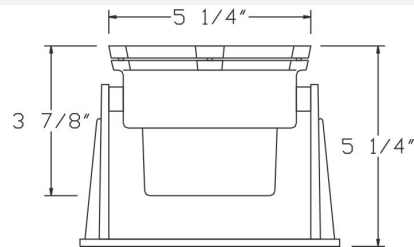


**Catalog#: 5500**  
**UNDER WATER FIXTURE PAR36 - SOLID BRASS**

**Category** Landscape Lighting  
**Page** [G42](#)

**Specifications:**

**Material** Solid Brass  
**Voltage** 12 Volts  
**Lamp type** PAR36 Lamp Not Included, 75W Max.  
**Lens type** Tempered Glass  
**Socket** Premium grade Porcelain socket with Nickel contacts and Teflon-jacketed wire leads  
**Gasket** Sealed with high grade weatherproof Silicone Gasket  
**Wiring** Pre-wired with 30 Ft SJT Cord  
**Accessories** Silicone Gasket  
 Brass or Stainless Steel Fittings  
**Document** [Installation Instructions](#)  
**Certifications**



Cat. No.	Finishes	UPC
5500	Natural Brass	615624265393





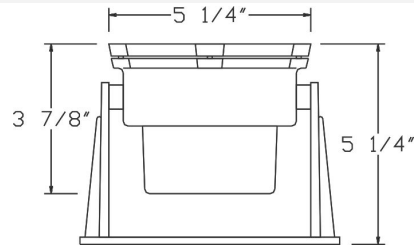


**Catalog#: SS5500**  
**UNDER WATER FIXTURE PAR36 - SOLID S/S**

**Category** Landscape Lighting  
**Page** [G33](#)

**Specifications:**

**Material** Solid Grade 304 Stainless Steel  
**Voltage** 12 Volts  
**Lamp type** PAR36 Lamp Not Included, 75W Max.  
**Lens type** Tempered Glass  
**Socket** Premium grade Porcelain socket with Nickel contacts and Teflon-jacketed wire leads  
**Gasket** Sealed with high grade weatherproof Silicone Gasket  
**Wiring** Pre-wired with 30 Ft SJT Cord  
**Accessories** Silicone Gasket  
 Brass or Stainless Steel Fittings  
**Document** [Installation Instructions](#)  
**Certifications**



Cat. No.	Finish	UPC
*SS5500	Stainless Steel	615624267267

\*While Supplies Last



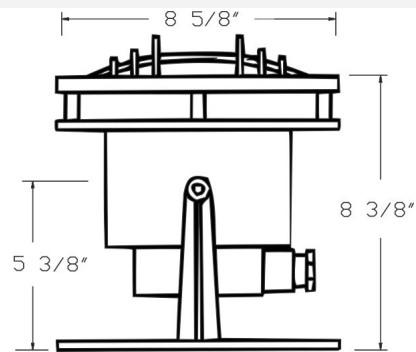


**Catalog#: SS5550**  
**UNDER WATER FIXTURE PAR56 -SOLID BRASS**

**Category** Landscape Lighting  
**Page** [G42](#)

**Specifications:**

**Material** Solid Stainless Steel  
**Voltage** 12 Volts  
**Lamp type** PAR56 Lamp Not Included, 300W Max.  
**Lens type** Tempered Glass  
**Socket** Premium grade Porcelain socket with Nickel contacts and Teflon-jacketed wire leads  
**Gasket** Sealed with high grade weatherproof Silicone Gasket  
**Wiring** Pre-wired with 30 Ft SJT Cord  
**Accessories** Silicone Gasket  
 ABS Plastic Lens Guard  
**Document** [Installation Instructions](#)  
**Certifications**



Cat. No.	Finishes	UPC
SS5550	Stainless Steel	615624268127





**Catalog#: TRT SERIES**  
**12V OUTPUT TIMER READY TRANSFORMER**

**Category** Landscape Lighting  
**Page** [G43](#)

**Features:**

- 12V/13V/14V/15V Output Options
- Resin Sealed Toroid Core runs 75°F cooler
- Pluggable timer and photocell ready
- Auto Resetttable Primary Overload Protection on 120V side
- Secondary circuit protection prevents overloads on 12V side
- 25A, 300W/Circuits
- 1 year warranty
- Plug-In Cord grounded

Cat. No.	Wattage	UPC
<a href="#">TRT-300-SS</a>	300W	615624268653
<a href="#">TRT-600-SS</a>	600W	615624268677
<a href="#">TRT-300-BK</a>	300W	615624268660
<a href="#">TRT-600-BK</a>	600W	615624268684





**Catalog#: PC-1ST**  
**TRANSFORMER PHOT CELL**

**Category** Landscape Lighting  
**Page** [G43](#)  
**Barcode** 6-15624-26876-9

**Features:**

- Plug-in Swivel-Type Photocell

**Specifications:**

Power 1200W Tungsten / 1000VA Ballast  
1.5VA  
10~20 Lx On / 30~60 Lx Off

**Packaging Info:**

Std Pkg 1  
Weight





**Catalog#: TR-HT**  
**24-HR TIMER**

**Category** Landscape Lighting  
**Page** [G43](#)  
**Barcode** 6-15624-38725-5

**Features:**

- Plug-in 24Hr Timer

**Specifications:**

Power 125VAC, 60Hz, 15A, 1750W 24Hr  
3 On/Off Settings

**Packaging Info:**

Std Pkg 1  
Weight





**Catalog#: TR PROFESSIONAL SERIES  
 12V~15V MULTI-TAP TRANSFORMER**

**Category** Landscape Lighting  
**Page** [G44](#)

**Features:**

- 12V/13V/14V/15V Output Options
- Resin Sealed Toroid Core runs 75°F cooler
- Stainless Steel Housing
- Extra Large Terminal Lugs for Extreme Flexibility
- Quiet and 8%~10% More Efficient
- Primary and Secondary Protection
- 25Amp, 300W MAG Breaker Circuit Protection
- Pluggable Timer and Photocell Option
- On / Off Switch and Dimmable
- 1 year warranty
- Plug-In Cord grounded

Cat. No.	Wattage	UPC
<a href="#">TR-50-1215-SS</a>	50W	615624000208
<a href="#">TR-100-1215-SS</a>	100W	615624000215
<a href="#">TR-150-1215-SS</a>	150W	615624000222
<a href="#">TR-300-1215-SS</a>	300W	615624268721
<a href="#">TR-600-1215-SS</a>	600W	615624268738
<a href="#">TR-900-1215-SS</a>	900W	615624268745
<a href="#">TR-1200-1215-SS</a>	1200W	615624268752





**Catalog#: LET-75-277**  
**ELECTRONIC TRANSFORMERS**

<b>Category</b>	Landscape Lighting
<b>Page</b>	<a href="#">G45, H41</a>
<b>Barcode</b>	6-15624-38802-3

**Description:**

LET 75 AC 277 12 Standard 75W transformer

**Packaging Info:**

Std Pkg	1
Weight	





**Catalog#: LET-301-12-AC**  
**ELECTRONIC TRANSFORMERS**

<b>Category</b>	Landscape Lighting
<b>Page</b>	<a href="#">G45, H41</a>
<b>Barcode</b>	6-15624-38764-4

**Description:**

LET 301 AC 120 12, 300W Round Transformer  
with a hole in the center, shaped like a hockey puck

**Packaging Info:**

Std Pkg	1
Weight	







**Catalog#: LET-303-12-AC**  
**ELECTRONIC TRANSFORMERS**

<b>Category</b>	Landscape Lighting
<b>Page</b>	<a href="#">G45, H41</a>
<b>Barcode</b>	6-15624-38765-1

**Description:**

LET 303 AC 120 12 Rectangular Shape

**Packaging Info:**

Std Pkg	1
Weight	





**Catalog#: LVT-60**  
**ELECTRONIC TRANSFORMERS**

<b>Category</b>	Landscape Lighting
<b>Page</b>	<a href="#">G45, H41</a>
<b>Barcode</b>	6-15624-38760-6

**Description:**

LVT 60 AC 120 12 CL2 has a 60W transformer mounting within an enclosure, for remote mounting

**Packaging Info:**

Std Pkg	1
Weight	





**Catalog#: LVT-303-12-AC**  
**ELECTRONIC TRANSFORMERS**

<b>Category</b>	Landscape Lighting
<b>Page</b>	<a href="#">G45, H41</a>
<b>Barcode</b>	6-15624-38766-8

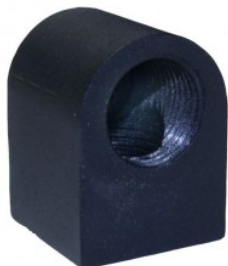
**Description:**

LVT 303 AC 120 12, 300W Transformer with 12V output  
mounted within an enclosure, rectangular shape, for remote mounting

**Packaging Info:**

Std Pkg	1
Weight	





**Catalog#: A121**  
**90 DEGREE ADAPTER FOR S121**

**Category** Landscape Lighting

**Page** [I36](#)

**Features:**

90° Adapter, Cast Aluminum

**Packaging Info:**

**Std Pkg** 10

Cat. No.	Finish	UPC
A121-BK	Black	615624271226
A121-BR	Bronze	615624271233
A121-GN	Green	615624271240
A121-WH	White	615624271264





**Catalog#: 50PK**  
**PVC SLEEVE KIT FOR MR16 WELL LIGHT**

**Category** Landscape Lighting  
**Page** [G48](#)  
**Barcode** 6-15624-26501-0

**Features:**

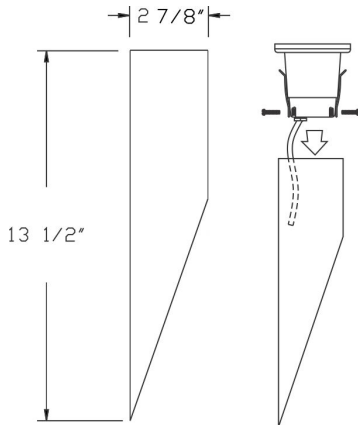
- 13-1/2" Optional Slip-On PVC Kit
- 3-1/4":Outer Dia., 2-7/8" Inner Dia.
- Schedule 80
- Stainless Steel Mounting Brackets and Hardware Included
- Use with MR16 Well Lights (Not Included)

**Specifications:**

**Color** Black

**Packaging Info:**

**Std Pkg** 1  
**Weight**





**Catalog#: GS-10**  
**8" HEAVY-DUTY GROUND STAKE**

<b>Category</b>	Landscape Lighting
<b>Page</b>	<a href="#">G38</a>
<b>Barcode</b>	6-15624-26864-6

**Features:**

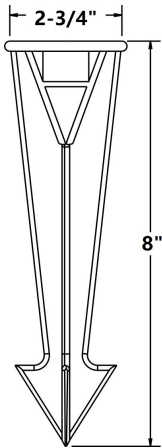
8" Heavy-Duty PVC Spike  
1/2" Thread

**Specifications:**

Color	Bronze
-------	--------

**Packaging Info:**

Std Pkg	1
Weight	





**Catalog#: GS-85**  
**8-1/2" PRO PVC SPIKE**

<b>Category</b>	Landscape Lighting
<b>Page</b>	<a href="#">G48</a>
<b>Barcode</b>	6-15624-26350-4

**Features:**

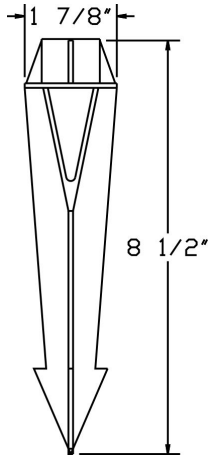
8-12" Professional PVC Spike  
 1/2" Thread

**Specifications:**

Color Bronze

**Packaging Info:**

Std Pkg 1  
 Weight



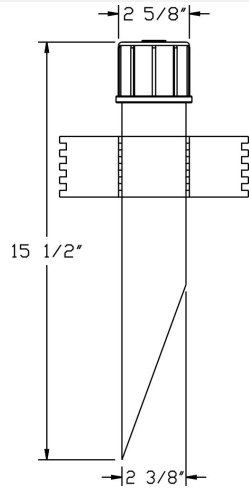


**Catalog#: PP2**  
**2" DIA. X 15.5" LONG PVC POST - BLACK**

**Category** Landscape Lighting  
**Page** [G49](#)

**Features:**

- PVC Post
- Dia. (2-3/8" O.D.) X 15-1/2" L
- Schedule 80
- PVC Cap with 1/2" NPT Hub
- Stabilizing PVC Fins Included



Cat. No.	Finishes	UPC
PP2-BK	Black	615624263375
PP2-BR	Bronze	615624267106





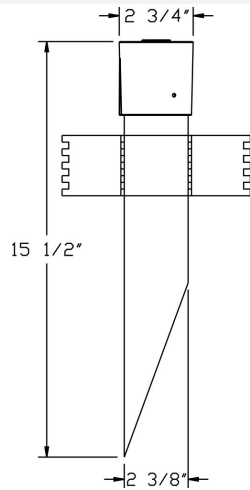


**Catalog#: PP2A**  
**2" X 15.5" PVC POST W/ ALUM CAP - BLA**

**Category** Landscape Lighting  
**Page** [G39](#)

**Features:**

- PVC Post with Cast Aluminum Cap
- 2" Dia. (2-3/8" O.D.) X 15-1/2"L Schedule 80
- PVC Cap with 1/2" NPT Hub
- Stabilizing PVC Fins Included



Cat. No.	Finish	UPC
PP2A-BK	Black	615624267137
*PP2A-BR	Bronze	615624267144

\*While Supplies Last





**Catalog#: PP250**  
**2.5" DIA. X 18.5" LONG PVC POST**

**Category**

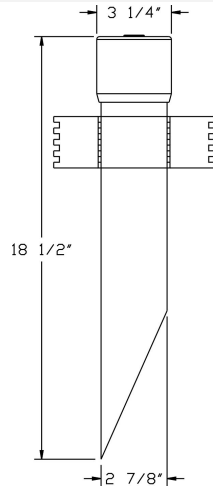
Landscape Lighting

**Page**

[G49](#)

**Features:**

- PVC Post
- 2-1/2" Dia. (2-7/8" O.D.) X 18-1/2"L
- Schedule 80
- PVC Cap with 1/2" NPT Hub
- Stabilizing PVC Fins Included



Cat. No.	Finishes	UPC
PP250	Black	615624266758





**Catalog#: PP250-CAP**  
**2-1/2" Dia CAP for PVC Post**

**Category** Landscape Lighting

**Page** [G49](#)

**Features:**

Replacement Cap for PP250  
 PVC Cap with 1/2" NPT Hub  
 Brass Bushing

Cat. No.	Finishes	UPC
PP250-CAP	Black	615624373609





**Catalog#: PPCA**  
**2" DIA. ALUMIMUM CAP FOR PVC POST**

**Category** Landscape Lighting

**Page** [G49](#)

**Features:**

Optional 2" Dia. Cast Aluminum Cap  
 Use with PP2  
 Includes Set Screws & Bare Copper Ground Wire

Cat. No.	Finishes	UPC
PPCA-BK	Black	615624267113
PPCA-BR	Bronze	615624267120

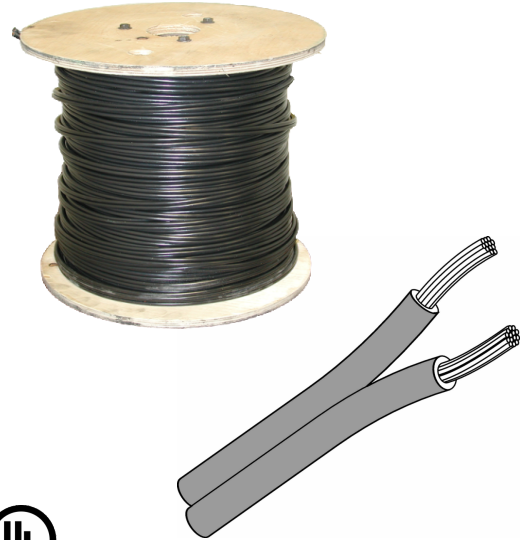


## SPECIFICATION & FEATURES

## LOW VOLTAGE CABLES

### DESCRIPTION:

UL Listed Landscape Lighting low-voltage direct burial cable for outdoor use. Each cable consists of 2 PVC insulated annealed bare copper conductors.



### CERTIFICATION:

UL File E482742, conforms to UL1493

### FEATURES:

- Temperature Rating: 60°C
- Operating Voltage: 150V
- Outdoor-Rated
- Direct Burial Application
- Sunlight Resistant
- PVC insulation
- In Wooden Reels

### CONFIGURATION DATA:

Part No.	Cable Size	Stranding	Insulation Thickness	Copper O.D.	Finished O.D.	Jacket Color	Length/Pkg
LVC-16	16/2	26/30 BC	0.045"	0.059"	0.160" x 0.32"	BLACK	500 ft
LVC-14	14/2	41/30 BC	0.045"	0.074"	0.175" x 0.35"	BLACK	500 ft
LVC-12	12/2	65/30 BC	0.045"	0.093"	0.195" x 0.39"	BLACK	500 ft
LVC-10	10/2	105/30 BC	0.045"	0.118"	0.220" x 0.44"	BLACK	500 ft
LVC-8	8/2	165/30 BC	0.060"	0.169"	0.295" x 0.59"	BLACK	500 ft

