



**DOUBLE**  
THE CAPACITY  
**HALF**  
THE STRUGGLE

With up to 75 cubic inches of space, Orbit's Large Capacity Data Boxes and True 5" Boxes allow for an easier installation of high-speed cable, resulting in reduced labor costs and cable stress!



**BRACKETS ALLOW ALL  
COMPATIBLE BOXES TO  
USE A 4" RING**



# TRUE 5" SQUARE BOXES

## 5" Square Boxes and Accessories

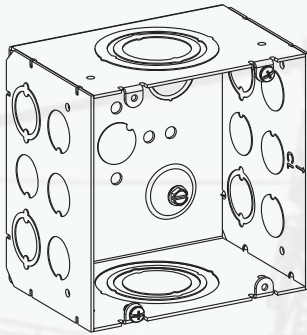
- More than double the volume compared to standard 4" square boxes
- Extra space easily meets minimum cable bend radius requirements for easier installations
- Increased space reduces short circuits and ground faults from space and cable stress
- Supports all current copper CAT and fiber optic cables as well as predicted increases
- Steel partitions allows for multi-system installations inside junction box



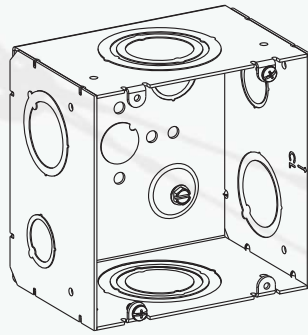
T5B-50/200



T5B-200



T5B-50/200  
5" x 5" x 3-1/4"



T5B-200  
5" x 5" x 3-1/4"



T5C



T5R



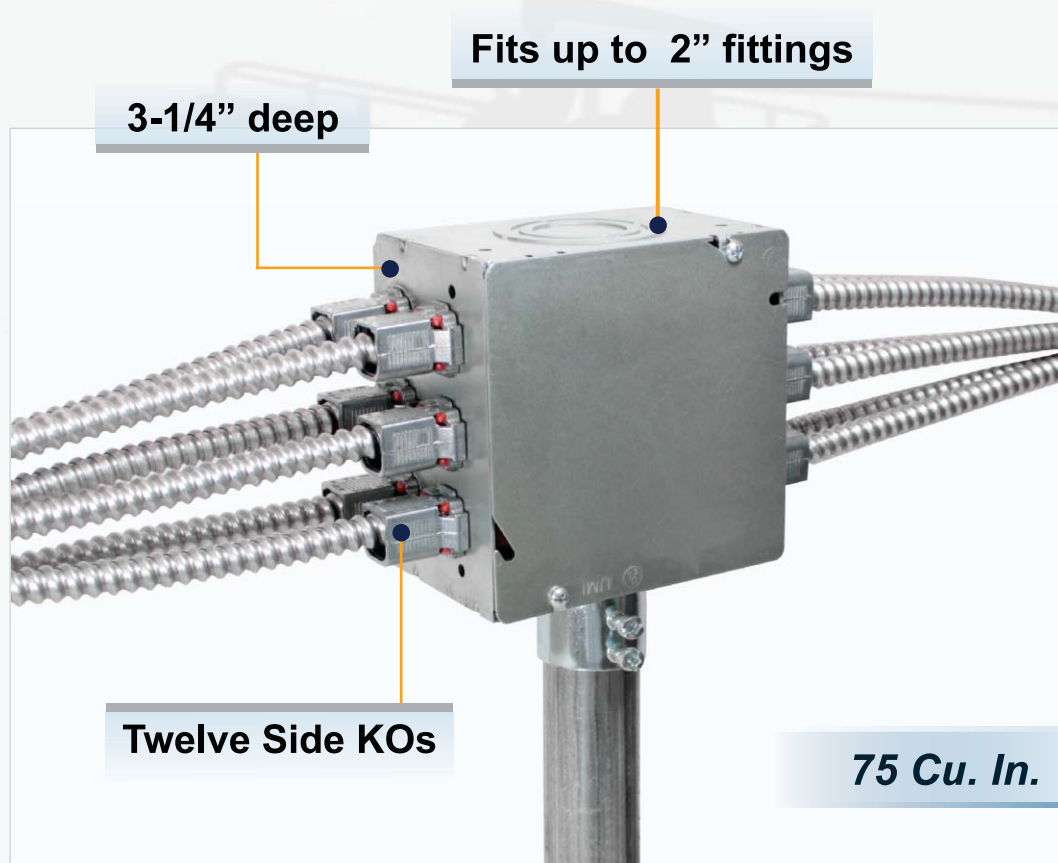
T5P-100



T5P-200

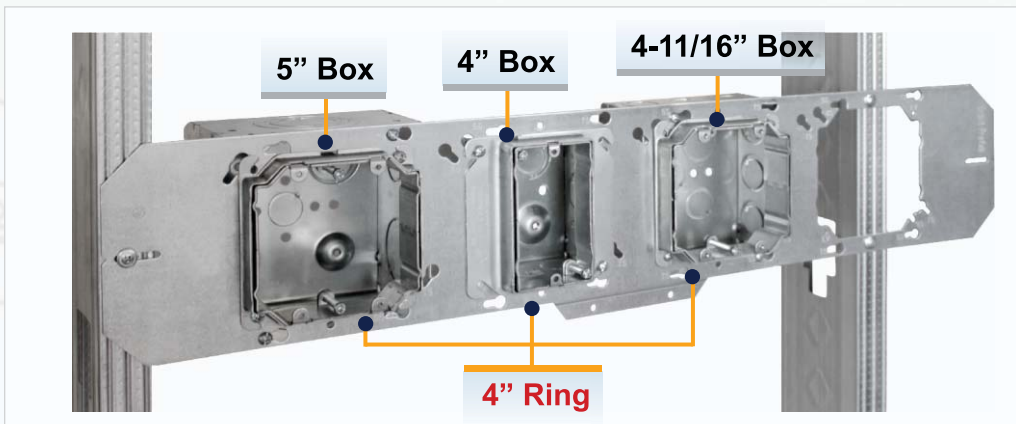
Cat. No.	Description	Sides	Bottom	Std. Pkg.
T5B-50/200	True 5" Square Box, 1/2" KO & 2" MKO	2 - 1" to 2" CKOs 4 - 1/2" & 3/4" CKOs, 8 - 1/2" KOs	1 - 1/2" & 3/4" MKO 1 - 3/4" & 1" MKO 1 - 1/2" KO	12
T5B-200	True 5" Square Box	2 - 1" to 2" CKOs 2 - 1" & 1-1/4" MKOs 2 - 1/2" & 3/4" MKOs	1 - 1/2" & 3/4" MKO 1 - 3/4" & 1" MKO 1 - 1/2" KO	12
T5C	True 5" Blank Cover	-	-	50
T5R	True 5" Reducer Cover, 4" Square Opening	-	-	50
T5P-100	True 5" Square Box Partition For 3-1/4" Deep Boxes	-	-	25
T5P-200	True 5" Square Box Partition For 3-1/4" Deep Boxes	-	-	25

# TRUE 5" SQUARE & DATA BOXES



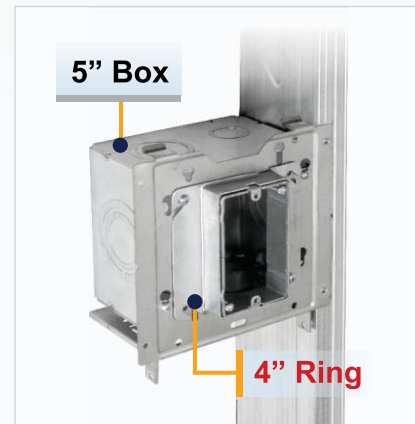
## T5B-50/200 INSTALLED

Never punch KOs out on a 6" x 6" NEMA again!  
Orbit's T5B-50/200 features a total of TWELVE Side KOs, easily handling most junction box and home run applications.



## T5B INSTALLED ON FB-4

Orbit's fixed brackets dramatically reduce costs by allowing 4" rings to be mounted on 4", 4-11/16", and 5" square boxes.



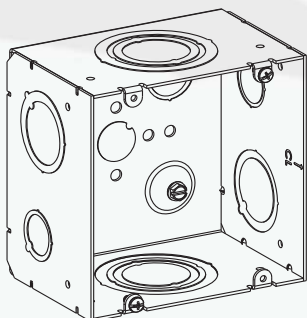
## T5B Installed on UMA-LVBS

UMA-LVBS mounts 4", 4-11/16", and 5" square boxes direct to stud

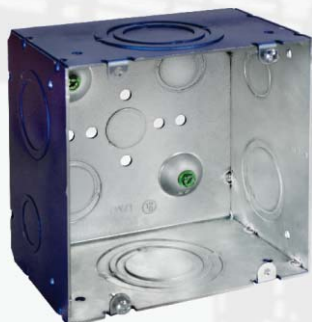
# LARGE CAPACITY DATA BOXES

## Large Capacity Data Boxes

- Available as a 4-11/16" and 5" square box
- Suitable for datacom and electrical applications
- Increased space reduces short circuits and ground faults resulting from space and cable stress
- Blue finish available for easy identification of boxes containing cabling of data systems
- Durable powder coat finish prevents the need for repainting



**B-T5B**  
5" x 5" x 3-1/4"

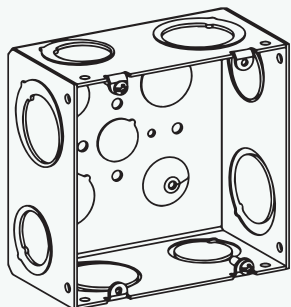


**B-T5B**



**B-T5C**

Available in **BLUE**  
for data  
applications!



**5SLB-2MKO**  
4-11/16" x 4-11/16" x 2-1/2"



**5SLB-2MKO**



**B-5SLB**



**B-5BC**

Cat. No.	Description	Sides	Bottom	Std. Pkg.
<b>B-T5B</b>	Blue True 5" Square Box	2 - 1" to 2" CKOs 2 - 1" & 1-1/4" MKOs 2 - 1/2" & 3/4" MKOs	1 - 1/2" & 3/4" MKO 1 - 3/4" & 1" MKO 1 - 1/2" KO	12
<b>5SLB-2MKO</b>	4-11/16" Large Capacity Square Box	4 - 3/4" & 1" MKOs 4 - 1" & 1 - 1/4" MKOs	2 - 1/2", 2 - 3/4" KOs	24
<b>B-5SLB</b>	Blue 4-11/16" Large Capacity Square Box	4 - 3/4" & 1" MKOs 4 - 1" & 1 - 1/4" MKOs	2 - 1/2", 2 - 3/4" KOs	24
<b>B-T5C</b>	Blue True 5" Blank Cover	-	-	50
<b>B-5BC</b>	Blue 4-11/16" Blank Cover	-	-	50

# TRUE 5" SQUARE COMPATIBLE BRACKETS

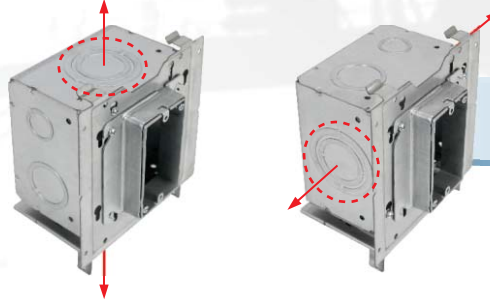
## Flat and Fixed Brackets

- Compatible with 4", 4-11/16" and 5" square boxes
- Allows 5" boxes to use 4" rings, reducing material costs
- 4" rings can mount on their own for low voltage applications
- Low profile designs allows for up to 2" fittings on boxes
- Mounting holes on the Flat Brackets allow the brackets to be mounted on irregular stud spaces

### DIRECT-TO-STUD BRACKET

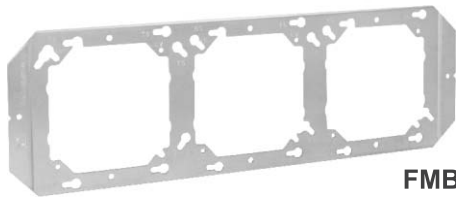


UMA-LVBS

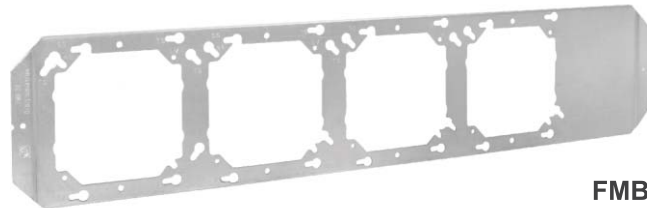


Rotate any J-box 90°, even True 5" SQ!

### FIXED POSITION BRACKETS

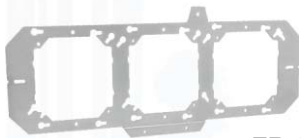


FMB-16



FMB-24

### FLAT BRACKET FAMILY



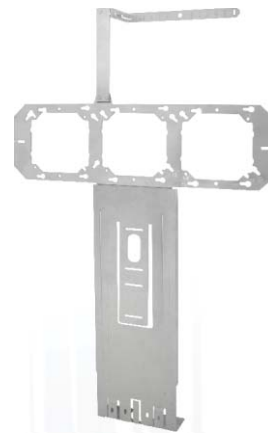
FB-3



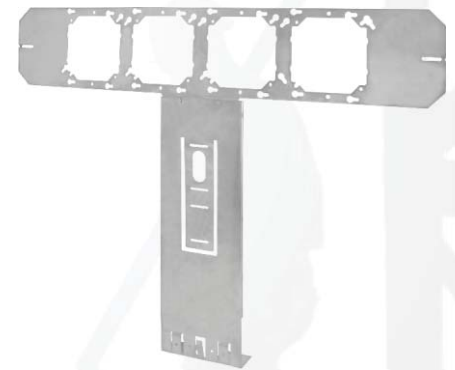
FB-4



KB-18



KFB-318



KFB-418

Cat. No.	Description	Std. Pkg.
UMA-LVBS	Universal Mounting Adapter with Back Support	25
FMB-16	Fixed Position Box Mounting Bracket for 16" stud	25
FMB-24	Fixed Position Box Mounting Bracket for 24" stud	25
FB-3	Flat Box Mounting Bracket, 3 Box Positions for 16" stud	25
FB-4	Flat Box Mounting Bracket, 4 Box Positions for 24" stud	25
KB-18	Kick Bracket, 1 Box Position 18" height	10
KFB-318	Flat Bracket, 3 Box Positions with 18" height kick stand for 16" stud	10
KFB-418	Flat Bracket, 4 Box Positions with 18" height kick stand for 24" stud	10

# TRUE 5" SQUARE COMPATIBLE BRACKETS

## KFB-318 Installed

Low profile design allows for up to 2" fittings

Pre-installed CS-CJ6 for cable support

4" ring

5" Box

4" Box

4-11/16" Box

Up to 6" Back Support

Bendable mark indicates placement after drywall installation

All Kick Brackets stand at standard 18" box center!

Bottom tabs allow kick brackets to be dropped onto studs

