

# EZ-HANG BOXES

Orbit Industries, Inc.

**NEW**



**VS**



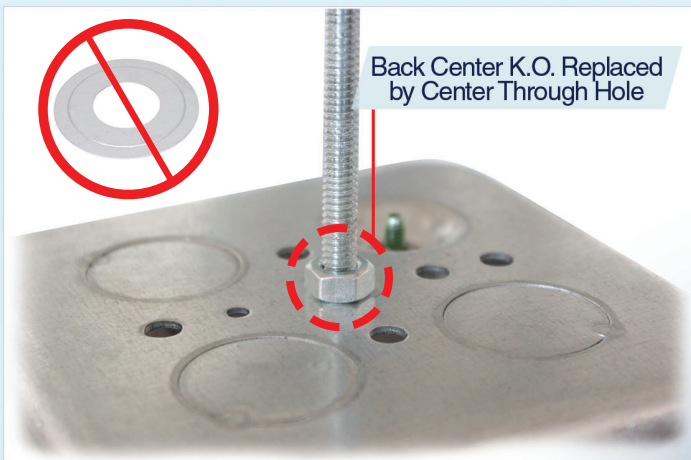
**TRADITIONAL BOX**  
with 1/2" KO

**4SDB-MKO-S**  
0.395" Diameter Hole  
(for 3/8" rod)

**D5SDB-CKO-S**  
0.27" Diameter Hole  
(for 1/4" rod)



## YOUR EASIEST SUSPENDED BOX INSTALLATION YET!



*Orbit's Exclusive EZ-Hang Boxes are designed to easily secure rods for suspended box applications*

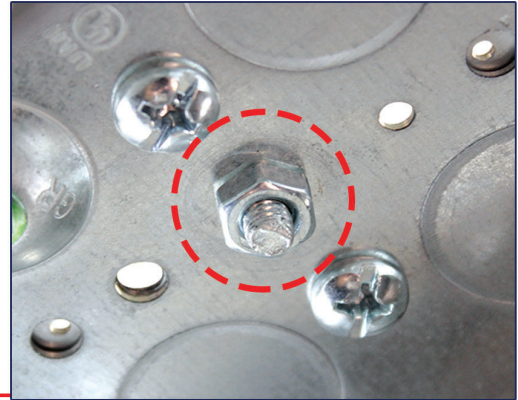
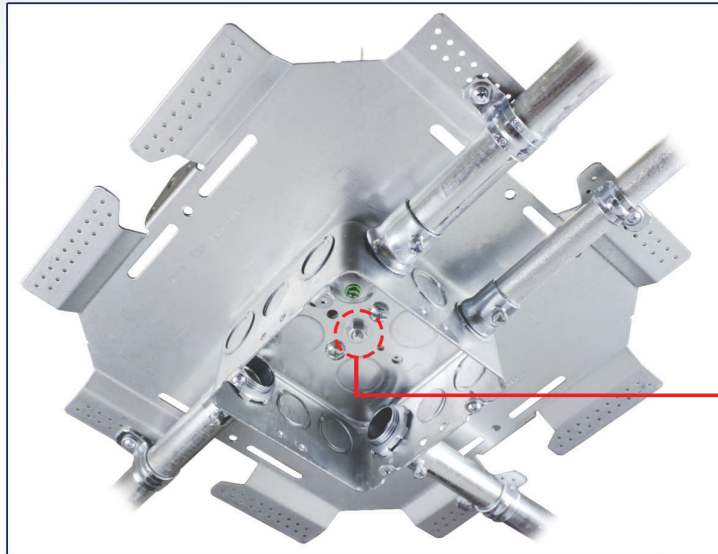
- Available in 4" and 4-11/16" Square boxes, both 2-1/8" deep.
- Back-center knockout replaced with a through hole, making it easier to mount boxes in suspended applications.
- No washers needed. Allowing for a fast and efficient installation.
- Works great with BCHS Plates! see p2 for more details

Cat. No.	Description	Cu. In.	Knockouts		Std. Pkg.
			Sides	Bottom	
4SDB-MKO-S	4" Sq. <b>Welded</b> Special Box with MKO	30.3	8 - 1/2", 4 - MKO	1 - 1/2", 2 - MKO	24
D5SDB-CKO-S	4-11/16" Sq. <b>Drawn</b> Special Box with CKO	42.0	2 - 1/2", 10 - CKO	3 - 3/4"	24

# EZ-HANG BOXES WITH BCHS PLATES



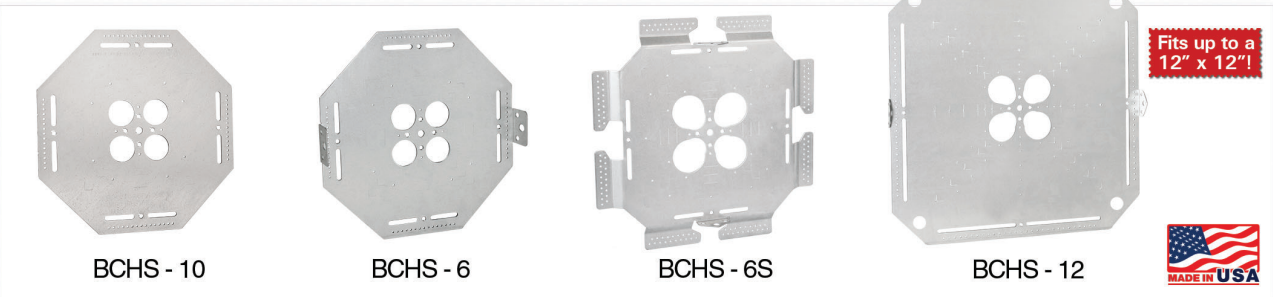
## INSTALLATION



The EZ-Hang Box easily secures onto Orbit's BCHS Plates to provide a more efficient suspended box installation

## BCHS SERIES

**PATENTED** 



## BCHS FEATURES

- Support suspended boxes and multiple conduit installations with one piece of all-thread as opposed to multiple pieces of rod
- Pin holes and slots allow for use of conduit straps
- Stamped markings provide guidelines for box placement. Boxes can be placed in any location on plate.

## OLD METHOD



Cat. No.	Description	Std. Pkg.
BCHS - 10	Fits up to 6" x 6" Box or multiple smaller boxes for horizontal mounting	25
BCHS - 6	Fits up to 6" x 6" Box or multiple smaller boxes for horizontal mounting and provides bent tabs for vertical mounting	10
BCHS - 6S	Fits up to 8" x 8" Box or multiple smaller boxes for horizontal mounting, bent tabs for vertical mounting and offsets allow for use of one-hole straps	10
BCHS - 12	Fits up to 12" x 12" Box or multiple smaller boxes for horizontal mounting, bent tabs for vertical mounting	5