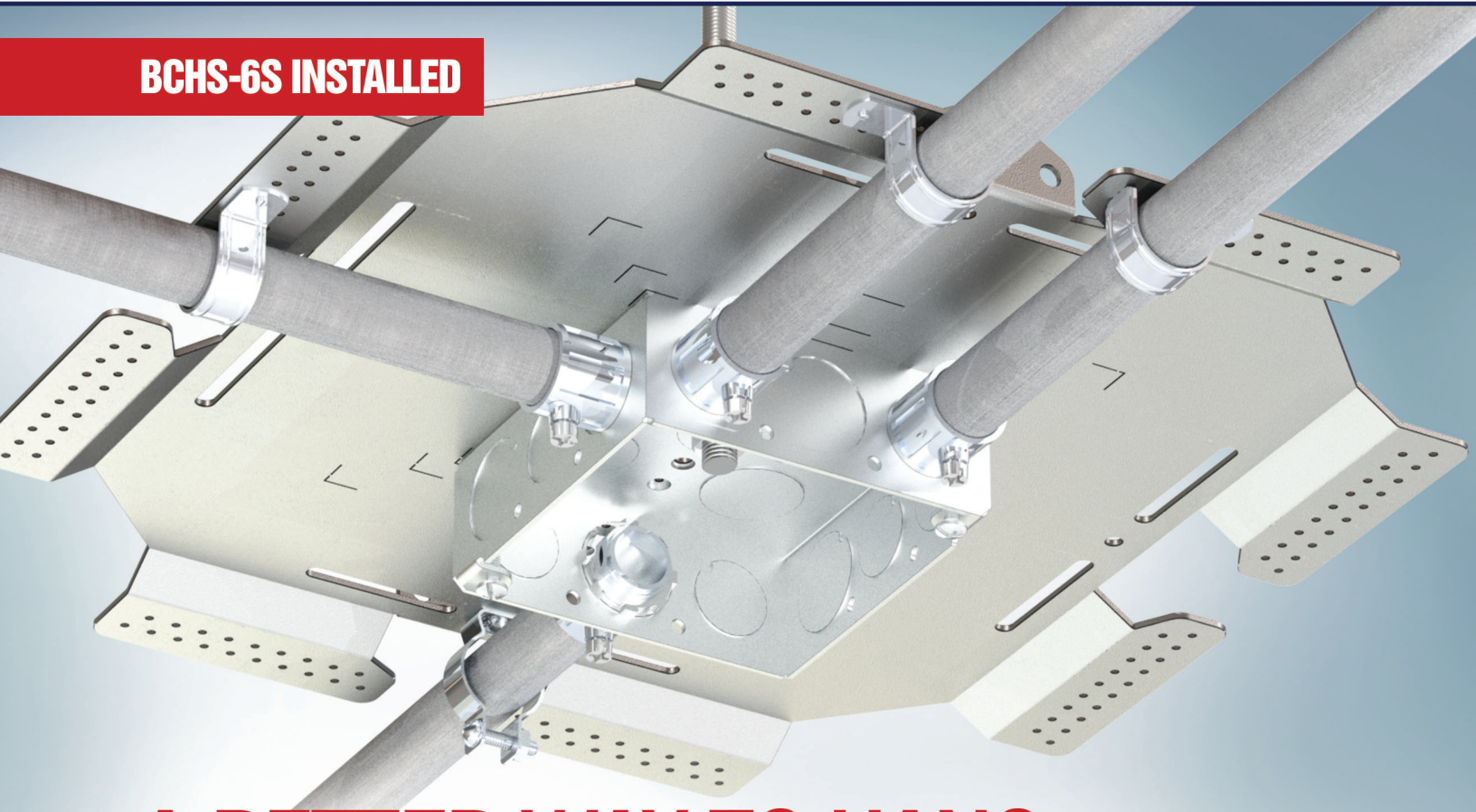


BOX AND CONDUIT HANGER SUPPORT



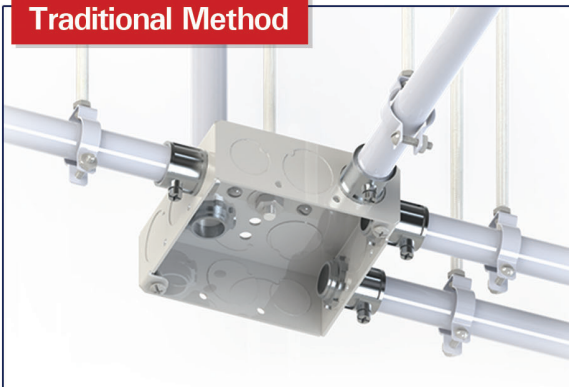
BCHS-6S INSTALLED



A BETTER WAY TO HANG BOXES AND CONDUITS



Traditional Method



This application would require installer to measure and cut five pieces of threaded rod. Use only one rod with Orbit's BCHS Series.

Orbit's Box and Conduit Hanger Support (BCHS) series is an innovative solution for hanging boxes and conduits using one plate and rod rather than multiple.

Vertical and horizontal mounting available on various models

Can be easily preassembled to reduce installation time and improve safety

Rated for up to 100 lbs

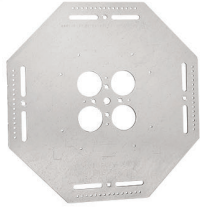
PATENTED



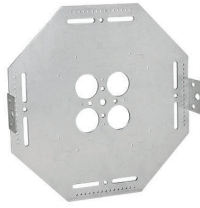
BOX AND CONDUIT HANGER SUPPORT



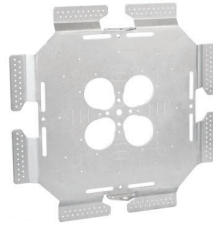
BCHS SERIES



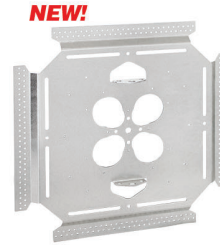
BCHS - 10



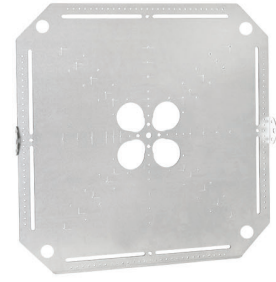
BCHS - 6



BCHS - 6S



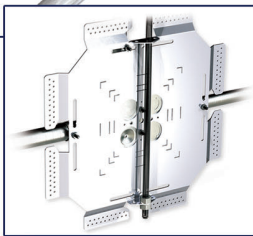
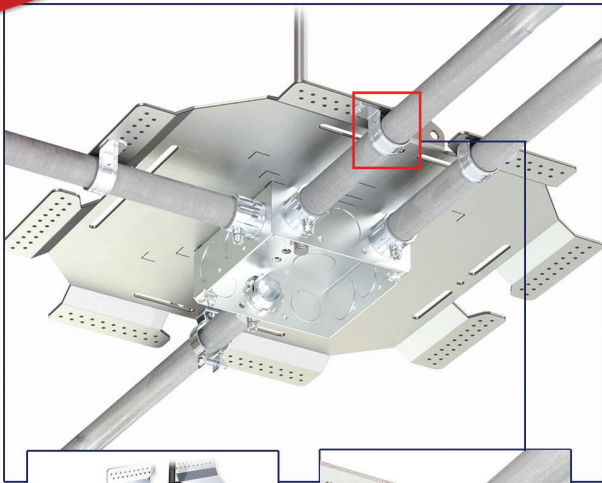
BCHS - 8S



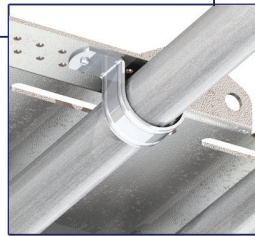
BCHS - 12

INSTALLATION

BCHS - 6S

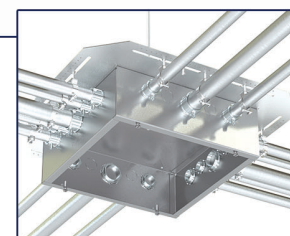
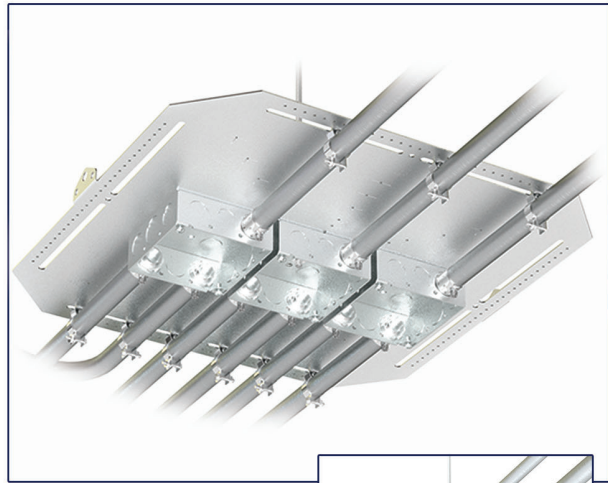


Vertical Mounting



Allows for use of one-hole strap

BCHS - 12



Hang a 12" x 12" box or multiple small size boxes horizontally or vertically

FEATURES

- Stamped markings provide guidelines
- Self-reinforcing as more conduit added
- No cutting required
- Pin holes and slots allow for use of self-tapping screws and conduit straps

| Cat. No. | Description | Std. Pkg. |
|-----------------------|--|-----------|
| BCHS - 10 | Fits up to 6" x 6" Box or multiple smaller boxes for horizontal mounting | 25 |
| BCHS - 6 | Fits up to 6" x 6" Box or multiple smaller boxes for horizontal mounting and provides bent tabs for vertical mounting | 10 |
| BCHS - 6S | Fits up to 8" x 8" Box or multiple smaller boxes for horizontal mounting, bent tabs for vertical mounting and offsets allow for use of one-hole straps | 10 |
| NEW! BCHS - 8S | Fits up to 8" x 8" Box or multiple smaller boxes for horizontal mounting, bent tabs for vertical mounting and offsets allow for use of one-hole straps | 10 |
| BCHS - 12 | Fits up to 12" x 12" Box or multiple smaller boxes for horizontal mounting, bent tabs for vertical mounting | 5 |