

ADJUSTABLE BAR HANGERS

PRODUCT FEATURES

- ▶ Electroplated Zinc
- ▶ Ends bend and wrap around studs
- ▶ Can be used with boxes 1-1/2", 2-1/8" or 2-1/2" deep
- ▶ For stud and hard lid ceiling joists

**SHIPS
PREASSEMBLED**

Cat. No.	Description	Std. Pkg.
BHA-16	11" to 18" Adjustable Box Bracket – Mount box with self-tapping screws	50
BHA-24	15-3/4" to 26" Adjustable Box Bracket – Mount box with self-tapping screws	50



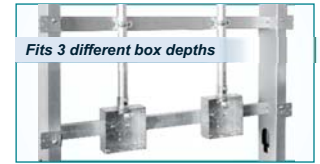
BHA-16

Adjust from 11" to 18"



BHA-24

Adjust from 15-3/4" to 26"



Fits 3 different box depths

BOX AND CONDUIT SUPPORT BETWEEN STUDS USING BHA

- 1-1/2" Deep • 2-1/8" Deep • 2-1/2" Deep

DROP-ON-BAR SLIDER BRACKETS

PRODUCT FEATURES

- ▶ Quickly attach to any 4" or 4-11/16" square box
- ▶ Easily drops onto Orbit's BHA-16 and BHA-24
- ▶ A BARB and box assembly can easily be repositioned along the hanger
- ▶ Multiple BARB assemblies can be added before and after the BHA is installed
- ▶ Can be fully prefabricated and locked onto the BHA without setting final box position
- ▶ BARB-CS includes cable support pin holes

PATENTED

**ORBIT INDUSTRIES
EXCLUSIVE**



**Video Available
On Our Website!**

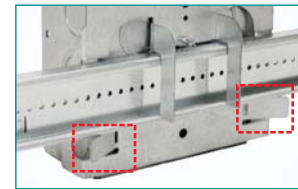
Cat. No.	Description	Std. Pkg.
BARB	Drop-On-Bar Slider Bracket	50
BARB-CS	Drop-On-Bar Slider Bracket with conduit & cable support pin holes	50



BARB



BARB-CS

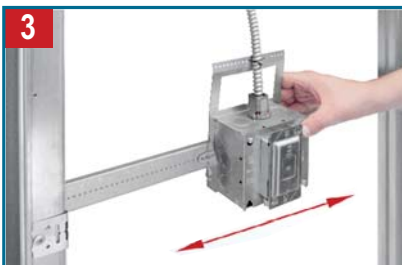


BENDABLE LOCKING TABS

A BARB and box assembly can be locked onto a BHA before arriving on the job site. Allows for quick Adjustments in the field



Attach to a 4" or 4-11/16" box with a single wafer head screw, forming a versatile box assembly



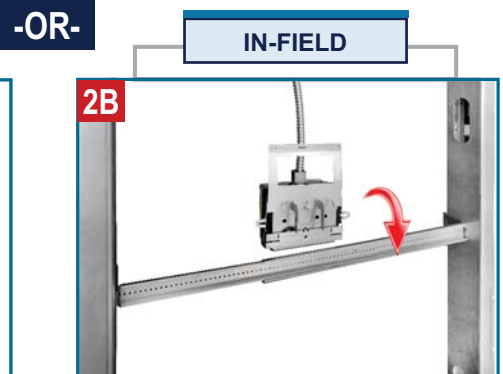
Once the BHA is installed on studs, the box assembly can be adjusted along the hanger



Box assemblies can be prefabricated onto a BHA before arriving to the job site, locking onto the hanger via its bendable tabs



Secure the assembly to the BHA with Tek screws, setting the box in place



For in-field installations, simply drop the box assembly onto a BHA before or after the hanger has been installed



Multiple box assemblies can be easily added! Up to 3 between 16" & 4 between 24" studs

